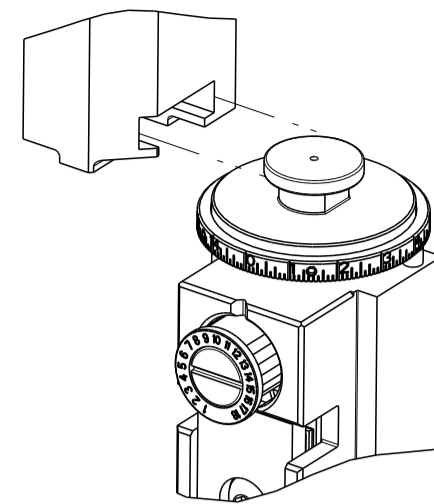


PART NUMBER	REVISION	DESCRIPTION	FEED TYPE
2266840-2	C	FINE CRIMP HEIGHT ADJUST	PNEUMATIC
7-2266840-2	C	PNEUMATIC AND CRIMP TOOLING KIT	PNEUMATIC
7-2266840-7	A	CRIMP TOOLING KIT	-

ATLANTIC VERSION TERMINATOR INTERFACE ADAPTER



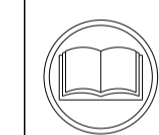
APPLICATOR DATA		
CRIMP	SIZE	TYPE
WIRE	5.59 mm [.220]	F
INSUL	10.92 mm [.430]	O

APPLICATOR INSTRUCTIONS 408-35042

TERMINAL DATA: TE TERMINAL		TE CRIMP SPECIFICATION	
TERMINAL NAME: MCON-9.5 CONTACT 10mm ² SEALED			
WIRE STRIP LENGTH	INSULATION DIAMETER RANGE		
9.10-9.80 mm [.358-.386 IN]	∅ - -		
TERMINAL APPLICATION SPECIFICATION	114-94423	-	-

TERMINALS APPLIED				SEAL INSULATION DIAMETER RANGE
TE TERMINAL	TE TERMINAL	TE SEAL	TE SEAL	
1-1563845-1	1-1563845-3		2287390-2	∅5.3-6.0 mm
			2287390-5	∅4.6-5.0 mm

WIRE SIZE	CRIMP HEIGHT mm [INCH]	CRIMP HEIGHT REFERENCE SETTING
10.00mm ²	3.45 +/- 0.10 [.136 +/- .004]	5.0
8.00mm ²	3.15 +/- 0.10 [.124 +/- .004]	8.0



- RECOMMENDED SPARE PARTS
- REFER TO SUPPLIED INSTRUCTION SHEET FOR CLEANING, LUBRICATION AND STORAGE OF APPLICATOR.
- APPLY PART NUMBER 2-23419-6 LOCTITE TO THREADS OF ITEM 242.
- CRIMP HEIGHT REFERENCE SETTING WAS THE SETTING USED WHEN THE APPLICATOR WAS QUALIFIED AT THE FACTORY. ADJUSTMENT MAY BE NECESSARY WHEN RUNNING APPLICATOR IN THE FIELD.
- TERMINAL PITCH NOT COMPATIBLE WITH MECHANICAL FEED.
- TERMINAL LUBRICANT IS RECOMMENDED.
- APPLY TORQ-SEAL IN ALLEN SOCKET TO FILL HOLE AFTER FLAT HD HAS BEEN ADJUSTED TO CORRECT HEIGHT AT QUALIFICATION.
- CUT TO LENGTH AT ASSEMBLY.
- UNLESS SPECIFIED OTHERWISE TORQUE VALUES SHALL BE USED PER DOCUMENT, 101-35000.

***WARNING**
ON INSTALLATION, SET WIRE DISC TO CRIMP HEIGHT REFERENCE SETTING FOR LARGEST WIRE SIZE. CRIMP HEIGHT REFERENCE SETTINGS GREATER THAN THE VALUE SHOWN MAY CAUSE DAMAGE TO THE CRIMP TOOLING, REFER TO THE INSTRUCTION SHEET FOR PROPER SETUP AND ADJUSTMENTS.

ATLANTIC VERSION
Shown on sheets 1 of 4 & 2 of 4
(Pacific version shown on sheets 3 of 4 & 4 of 4)

LOC	DIST	REVISIONS					
A	66	P	LTN	DESCRIPTION	DATE	OWN	APVD
		A		RELEASED	28FEB2018	JAH	GB
		B		ECR-20-011303	11AUG2020	FJ	TE
		C		ECR-21-005664	20MAY2021	TB	RK

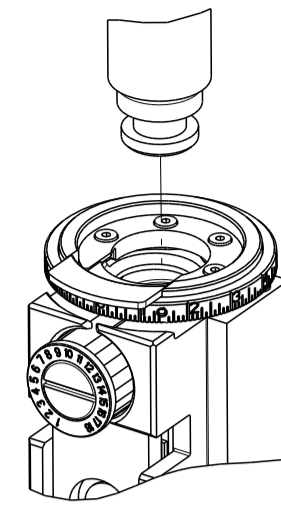
-	1	1	5018030-1	NUT, HEX, REG, RoHS, M3	271
-	1	1	1-455888-4	SPACER, CRIMPER	270
-	2	2	2168083-1	SCR, SKT HD CAP, RoHS, M3 X 8.0	269
-	1	1	1633782-7	FENCE	267
-	1	1	2119641-1	FEED CAM, AIR FEED	248
-	1	1	2119082-1	CAM, SNAIL, INSULATION ADJUSTMENT	244
-	1	1	2079764-1	WASHER, WAVE SPRING, CREST-TO-CREST	243
-	1	1	2119083-1	RETAINER, INSULATION DIAL	242
-	1	1	2844940-6	AIR FEED MODULE	238
-	REF	REF	994970-2	COUNTER, MAGNETIC	164
-	1	1	2119955-1	ASSY, LUBRICATOR, SIDE FEED	113
-	1	1	2844908-1	SCREW, LOCKING	99
-	1	1	2844907-1	POST, LOCKING	98
-	1	1	455888-5	SPACER, CRIMPER	82
-	1	1	240641-4	SPACER	81
-	2	2	2079383-4	SCR, BHSC, RoHS (M4 X 8)	79
-	1	1	1803096-1	EXTENSION PLATE	78
-	1	1	1803607-3	DOCUMENTATION PACKAGE	71
-	1	1	1-2119791-1	DEPRESSOR, WIRE	70
-	1	1	2119943-1	WASHER, SPACER	69
-	1	1	2119740-1	TAG, IDENTIFICATION	67
-	2	2	2168078-1	SCREW, DRIVE, RH, RoHS, 2 x .188	66
-	1	1	2168083-2	SCR, SKT HD CAP, RoHS, M4 X 8.0	60
-	1	1	5-18022-5	SCR, HEX HD CAP, M4 X 6.0	59
-	1	1	1-2168083-3	SCR, SKT HD CAP, RoHS, M3 X 16	57
-	1	1	1-1338683-1	FEED PAWL	56
-	4	4	2168083-3	SCR, SKT HD CAP, RoHS, M4 X 12.0	54
-	2	2	2168083-9	SCR, SKT HD CAP, RoHS, M4 X 20	53
-	1	1	5018030-1	NUT, HEX, REG, RoHS, M3	52
-	1	1	1-811242-0	BUMPER, HOLD DOWN	51
-	1	1	690753-2	SPACER, TONKER	50
-	1	1	18023-9	SCR, SKT HD CAP M4 X 6.0	49
-	1	1	2-1803583-6	APPLICATOR BASIC ASSEMBLY, SF	46
-	1	1	1803515-2	RAM ASSEMBLY, SF ATLANTIC	44
-	1	1	1803602-2	SCR, BHSC, RoHS (M8 X 40)	41
-	1	1	1752356-7	SUPPORT, TERMINAL	34
-	2	2	2079383-5	SCR, BHSC, RoHS (M4 X 20)	33
-	2	2	3-2844962-5	SPACER, CYLINDRICAL, STRIP GUIDE	30
-	1	1	2844992-5	ASSEMBLY, STRIP GUIDE	29
-	1	1	3-455888-7	SPACER, CRIMPER	28
-	2	2	1-22284-0	SPRING, COMPRESSION	27
-	1	1	240792-1	DRAG, TERMINAL	25
-	1	1	1320928-2	STRIP GUIDE	24
-	1	1	1-690438-0	FRONT STRIP GUIDE	23
-	1	1	2168083-2	SCR, SKT HD CAP, RoHS, M4 X 8.0	21
-	2	2	1-18028-2	WASHER, FLAT, REG M4	20
-	1	1	1803013-1	STRIPPER, SIDE FEED	19
-	1	1	3-22280-3	SPRING, COMPRESSION	12
-	1	1	1-356885-3	STOP, SHEAR	11
-	1	1	2-2119805-0	SHEAR HOLDER, FRONT	10
-	1	1	1-318059-2	FLOATING SHEAR, FRONT	9
-	1	2	1-1803383-8	ANVIL, COMBINATION	8
-	1	1	2-240641-9	SPACER	7
-	-	-	-	-	6
-	1	1	1-1803080-2	DEPRESSOR, SHEAR	5
-	1	1	5-238011-4	BLOCK, CRIMPER SPACER	4
-	1	2	1-1633965-1	CRIMPER, INSULATION O PREMIUM	3
-	1	1	1-455888-2	SPACER, CRIMPER	2
-	1	2	1633773-9	CRIMPER, WIRE, STEP	1

DIMENSIONS:		TOLERANCES UNLESS OTHERWISE SPECIFIED:		MATERIAL:		FINISH:	
mm	0 PLC ±	1 PLC ±	2 PLC ±	3 PLC ±	4 PLC ±	ANGLES ±	FINISH ±

OWN	D. WEAVER	07JUL2015	CHK	G. BAILEY	07JUL2015	APVD	G. BAILEY	07JUL2015
NAME			PRODUCT SPEC			APPLICATION SPEC		
SIZE			CAGE CODE			DRAWING NO		
A1			00779			C=2266840		
Customer Accessible Production Drawing			SCALE			SHEET 1 OF 4		
			1:2			REV C		

THIS DRAWING IS UNPUBLISHED.	RELEASED FOR PUBLICATION	2015	
COPYRIGHT 2015 BY TYCO ELECTRONICS CORPORATION. ALL RIGHTS RESERVED.			
PART NUMBER	REVISION	DESCRIPTION	FEED TYPE
2-2266840-2	C	FINE CRIMP HEIGHT ADJUST	PNEUMATIC
7-2266840-7	A	CRIMP TOOLING KIT	-

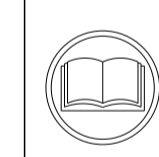
PACIFIC VERSION TERMINATOR
INTERFACE ADAPTER



APPLICATOR DATA		
CRIMP	SIZE	TYPE
WIRE	5.59 mm [.220]	F
INSUL	10.92 mm [.430]	O
APPLICATOR INSTRUCTIONS 408-35042		

TERMINAL DATA: TE TERMINAL		TE CRIMP SPECIFICATION	
TERMINAL NAME: MCON-9.5 CONTACT 10mm ² SEALED			
WIRE STRIP LENGTH		INSULATION DIAMETER RANGE	
9.10-9.80 mm [.358-.386 IN]		Ø -	
TERMINAL APPLICATION SPECIFICATION	114-94423	-	-
TERMINALS APPLIED Δ 5 Δ 6			
TE TERMINAL	TE TERMINAL	TE SEAL	TE SEAL
1-1563845-1	1-1563845-3		2287390-2
			2287390-5
			SEAL INSULATION DIAMETER RANGE
			5.3-6.0 mm
			4.6-5.0 mm

WIRE SIZE	CRIMP HEIGHT mm [INCH]	CRIMP HEIGHT REFERENCE SETTING
10.00mm ²	3.45 +/- 0.10 [.136 +/- .004]	5.0
8.00mm ²	3.15 +/- 0.10 [.124 +/- .004]	8.0



- Δ 1 RECOMMENDED SPARE PARTS
 - Δ 2 REFER TO SUPPLIED INSTRUCTION SHEET FOR CLEANING, LUBRICATION AND STORAGE OF APPLICATOR.
 - Δ 3 APPLY PART NUMBER 2-23419-6 LOCTITE TO THREADS OF ITEM 242.
 - Δ 4 CRIMP HEIGHT REFERENCE SETTING WAS THE SETTING USED WHEN THE APPLICATOR WAS QUALIFIED AT THE FACTORY. ADJUSTMENT MAY BE NECESSARY WHEN RUNNING APPLICATOR IN THE FIELD.
 - Δ 5 TERMINAL PITCH NOT COMPATIBLE WITH MECHANICAL FEED.
 - Δ 6 TERMINAL LUBRICANT IS RECOMMENDED.
 - Δ 7 APPLY TORQ-SEAL IN ALLEN SOCKET TO FILL HOLE AFTER FLAT HD HAS BEEN ADJUSTED TO CORRECT HEIGHT AT QUALIFICATION.
 - Δ 8 CUT TO LENGTH AT ASSEMBLY.
9. UNLESS SPECIFIED OTHERWISE TORQUE VALUES SHALL BE USED PER DOCUMENT, 101-35000.

***WARNING**
ON INSTALLATION, SET WIRE DISC TO CRIMP HEIGHT REFERENCE SETTING FOR LARGEST WIRE SIZE. CRIMP HEIGHT REFERENCE SETTINGS GREATER THAN THE VALUE SHOWN MAY CAUSE DAMAGE TO THE CRIMP TOOLING, REFER TO THE INSTRUCTION SHEET FOR PROPER SETUP AND ADJUSTMENTS.

PACIFIC VERSION
Shown on sheets 3 of 4 & 4 of 4
(Atlantic version shown on sheets 1 of 4 & 2 of 4)

LOC	DIST	REVISIONS					
A	66	P	LTN	DESCRIPTION	DATE	OWN	APVD
		-		SEE SHEET 1	-	-	-

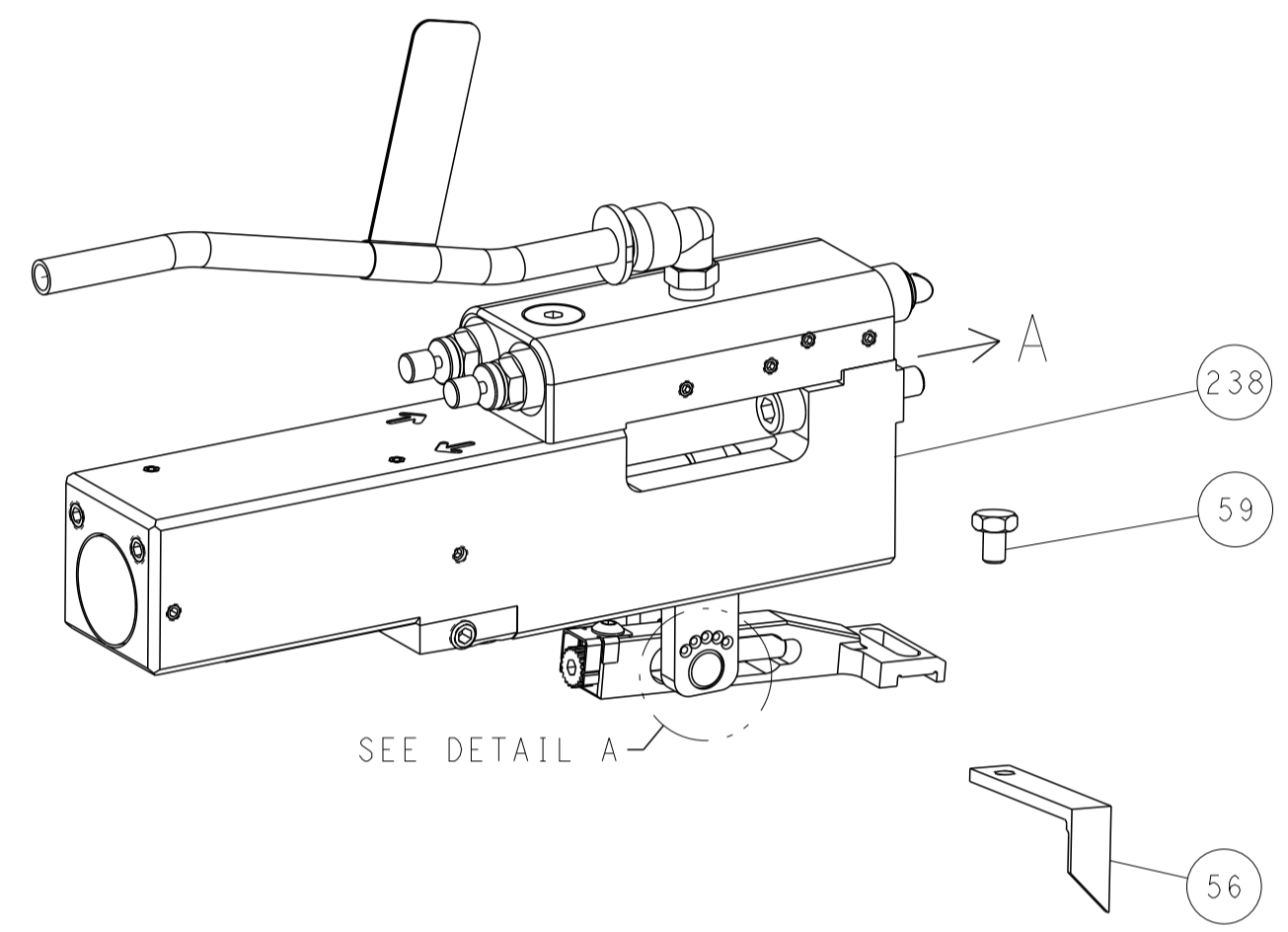
-	1	5018030-1	NUT, HEX, REG, RoHS, M3	271	
-	1	1-455888-4	SPACER, CRIMPER	270	
-	2	2168083-1	SCR, SKT HD CAP, RoHS, M3 X 8.0	269	
-	1	1633782-7	FENCE	267	
-	1	2119082-1	CAM, SNAIL, INSULATION ADJUSTMENT	244	
-	1	2079764-1	WASHER, WAVE SPRING, CREST-TO-CREST	243	
Δ 3	-	1	2119083-1	RETAINER, INSULATION DIAL	242
-	1	2844940-6	AIR FEED MODULE	238	
-	REF	994970-2	COUNTER, MAGNETIC	164	
-	1	2119641-2	FEED CAM, AIR FEED	151	
-	1	2168083-8	SCR, SKT HD CAP, RoHS, M4 X 16	144	
-	4	2168083-9	SCR, SKT HD CAP, RoHS, M4 X 20	143	
-	1	2-1803583-7	APPLICATOR BASIC ASSEMBLY, SF	141	
Δ 6	-	1	1803516-2	RAM ASSEMBLY, SF PACIFIC	140
-	1	2119955-1	ASSY, LUBRICATOR, SIDE FEED	113	
-	1	2844908-1	SCREW, LOCKING	99	
-	1	2844907-1	POST, LOCKING	98	
-	1	455888-5	SPACER, CRIMPER	82	
-	1	240641-4	SPACER	81	
Δ 8	-	2	2079383-4	SCR, BHSC, RoHS (M4 X 8)	79
-	1	1803096-1	EXTENSION PLATE	78	
-	1	1803607-3	DOCUMENTATION PACKAGE	71	
-	1	1-2119791-1	DEPRESSOR, WIRE	70	
-	1	2119943-1	WASHER, SPACER	69	
-	1	2119740-1	TAG IDENTIFICATION	67	
-	2	2168078-1	SCREW, DRIVE, RH, RoHS, 2 x .188	66	
-	1	5-18022-5	SCR, HEX HD CAP, M4 X 6.0	59	
Δ 7	-	1	1-2168083-3	SCR, SKT HD CAP, RoHS, M3 X 16	57
-	1	1-1338683-1	FEED PAWL	56	
-	2	2168083-9	SCR, SKT HD CAP, RoHS, M4 X 20	53	
-	1	5018030-1	NUT, HEX, REG, RoHS, M3	52	
-	1	1-811242-0	BUMPER, HOLD DOWN	51	
-	1	690753-2	SPACER, TONKER	50	
-	1	18023-9	SCR, SKT HD CAP M4 X 6.0	49	
-	1	1803602-2	SCR, BHSC, RoHS (M8 X 40)	41	
-	1	1752356-7	SUPPORT, TERMINAL	34	
-	2	2079383-5	SCR, BHSC, RoHS (M4 X 20)	33	
-	2	3-2844962-5	SPACER, CYLINDRICAL, STRIP GUIDE	30	
-	1	2844992-5	ASSEMBLY, STRIP GUIDE	29	
-	1	3-455888-7	SPACER, CRIMPER	28	
-	2	1-22284-0	SPRING, COMPRESSION	27	
-	1	240792-1	DRAG, TERMINAL	25	
-	1	1320928-2	STRIP GUIDE	24	
-	1	1-690438-0	FRONT STRIP GUIDE	23	
-	1	2168083-2	SCR, SKT HD CAP, RoHS, M4 X 8.0	21	
-	2	1-18028-2	WASHER, FLAT, REG M4	20	
-	1	1803013-1	STRIPPER, SIDE FEED	19	
-	1	3-22280-3	SPRING, COMPRESSION	12	
-	1	1-356885-3	STOP, SHEAR	11	
Δ 1	-	1	2-2119805-0	SHEAR HOLDER, FRONT	10
Δ 1	-	1	1-318059-2	FLOATING SHEAR, FRONT	9
Δ 1	1	1	1-1803383-8	ANVIL, COMBINATION	8
-	1	1	2-240641-9	SPACER	7
-	-	-	-	6	
-	1	1	1-1803080-2	DEPRESSOR, SHEAR	5
-	1	1	5-238011-4	BLOCK, CRIMPER SPACER	4
Δ 1	1	1	7-1633965-1	CRIMPER, INSULATION O PREMIUM	3
-	1	1	1-455888-2	SPACER, CRIMPER	2
Δ 1	1	1	1633773-9	CRIMPER, WIRE, STEP	1

DIMENSIONS:		TOLERANCES UNLESS OTHERWISE SPECIFIED:		DWG: B. WEAVER 07JUL2015		TE Connectivity Harrisburg, PA 17105-3608	
mm	0 PLC ±	1 PLC ±	2 PLC ±	3 PLC ±	4 PLC ±	NAME: Ocean Side Feed Applicator	
MATERIAL:		FINISH:		APVD: T. ELBIN 07JUL2015		SIZE: A1	
				APPLICATION SPEC:		CAGE CODE: 00779	
				WEIGHT:		DRAWING NO: C=2266840	
				RESTRICTED TO:		SCALE: 1:2	
				Customer Accessible Production Drawing		SHEET 3 OF 4	

LOC	DIST	REVISIONS					
A	66	P	LTH	DESCRIPTION	DATE	OWN	APVD
		-		SEE SHEET 1			

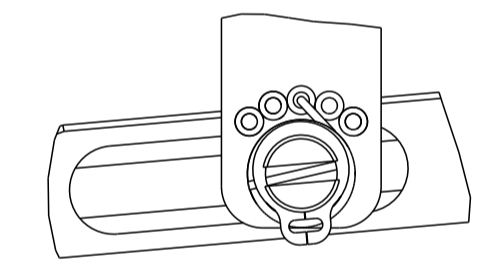
FEED TYPE

PNEUMATIC



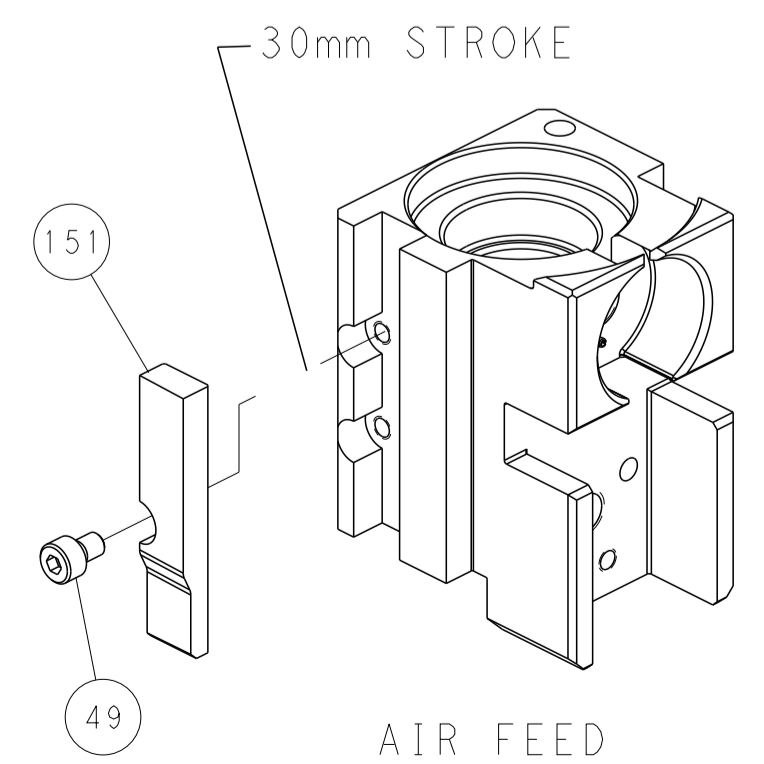
SEE DETAIL A

FEED SPRING SETTING POSITION (SHOWN FROM REAR SIDE)

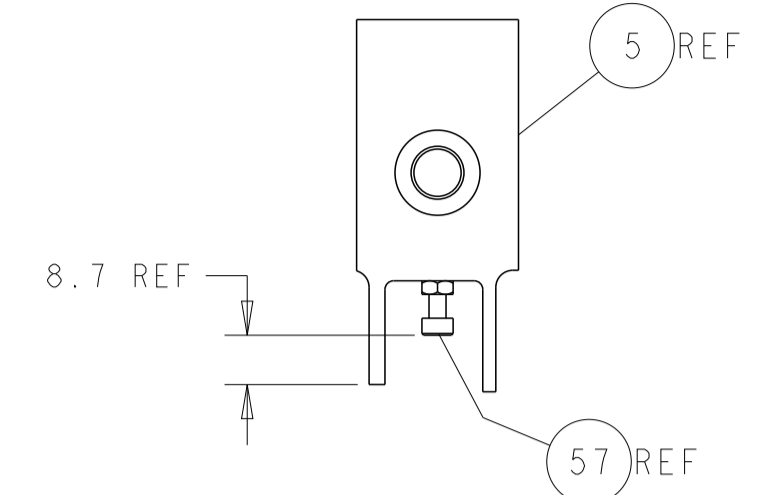
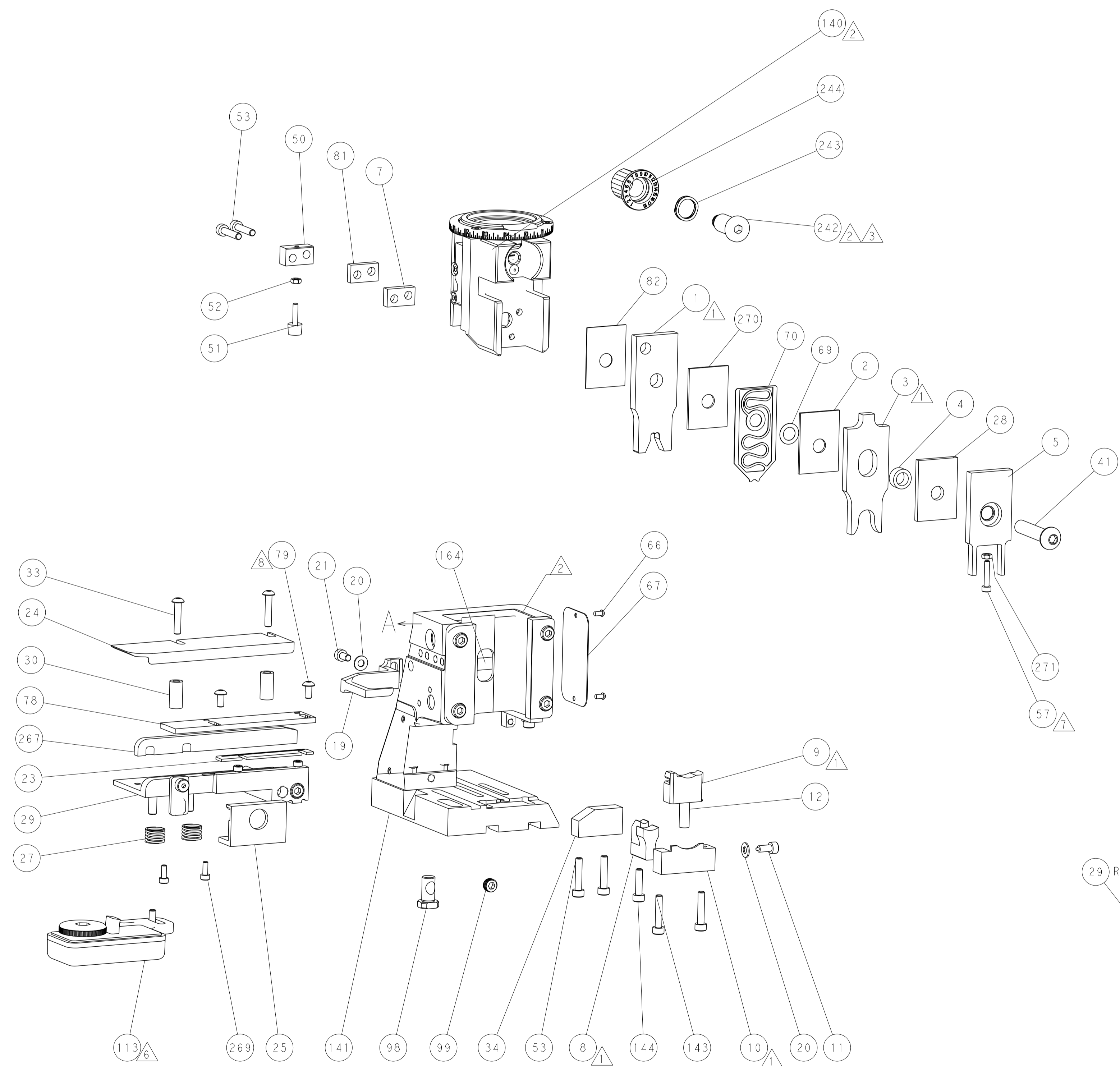


DETAIL A

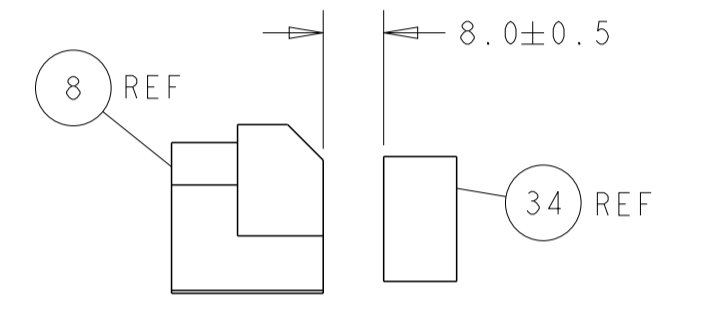
CAM POSITION



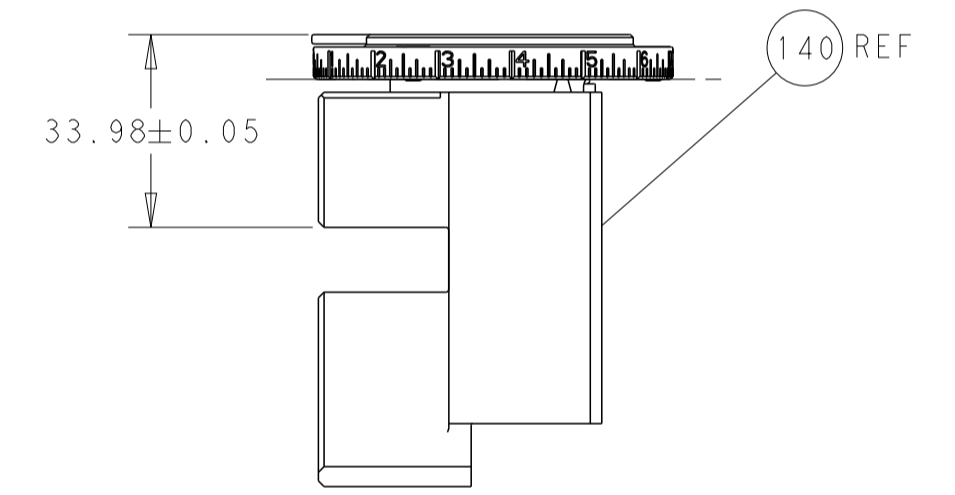
AIR FEED



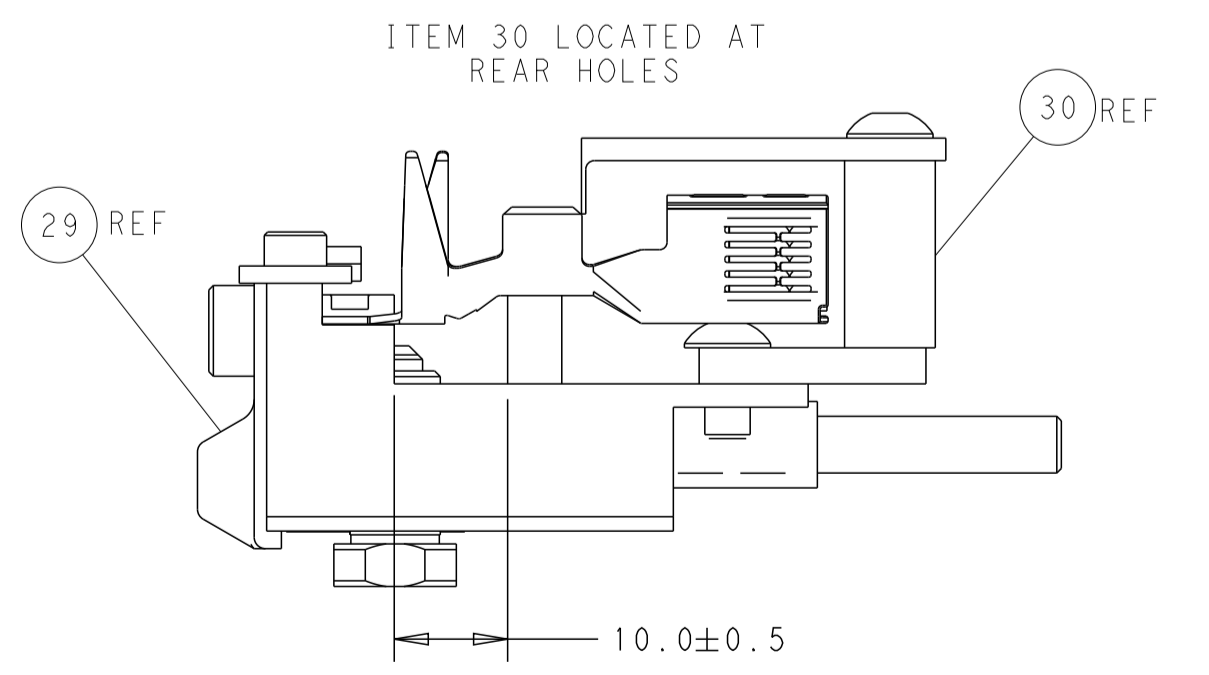
SHEAR DEPRESSOR DETAIL



TERMINAL SUPPORT LOCATION



RAM SET-UP



FEED TRACK POSITION GUIDE BY WIRE BARREL

PACIFIC VERSION
 Shown on sheets 3 of 4 & 4 of 4
 (Atlantic version shown on sheets 1 of 4 & 2 of 4)

<small>THIS DRAWING IS UNPUBLISHED. RELEASED FOR PUBLICATION 2015. COPYRIGHT 2015 BY TYCO ELECTRONICS CORPORATION. ALL RIGHTS RESERVED.</small>		DWN: B. WEAVER 07JUL2015 CHK: T. ELBIN 07JUL2015 APVD: T. ELBIN 07JUL2015	NAME: TE Connectivity Harrisburg, PA 17105-3608
DIMENSIONS: mm TOLERANCES UNLESS OTHERWISE SPECIFIED: 0 PLC ± 1 PLC ± 2 PLC ± 3 PLC ± 4 PLC ± ANGLES ± FINISH	CAGE CODE: A1100779 DRAWING NO: C-2266840	PRODUCT SPEC: APPLICATION SPEC: SIZE: A1 SCALE: 3:4	RESTRICTED TO: C SHEET 4 OF 4 REV 4