

PART NUMBER	REVISION	DESCRIPTION	FEED TYPE
2266673-1	N	FINE CRIMP HEIGHT ADJUST	MECHANICAL
2266673-2	N	FINE CRIMP HEIGHT ADJUST	PNEUMATIC
3-2266673-2	N	FINE CRIMP HEIGHT ADJUST	DOUBLE ACTING PNEUMATIC WITH SENSORS
7-2266673-7	F	CRIMP TOOLING KIT	-

ATLANTIC VERSION TERMINATOR INTERFACE ADAPTER



APPLICATOR DATA		
CRIMP	SIZE	TYPE
WIRE	1.07 mm [0.042]	F
INSUL	1.55 mm [0.061]	O

APPLICATOR INSTRUCTIONS  
408-35042

TERMINAL DATA: TE TERMINAL		TE CRIMP SPECIFICATION	
TERMINAL NAME: CONTACT, MALE/FEMALE, GENERATION Y, 0.64			
WIRE STRIP LENGTH		INSULATION DIAMETER RANGE	
4.00-4.50 mm [1.57-.177 IN]		Ø1.10-1.40 mm [0.043-.055 IN]	
TERMINAL APPLICATION SPECIFICATION	114-13183		
TERMINALS APPLIED			
TE TERMINAL	TE TERMINAL	TE TERMINAL	TE TERMINAL
1924968-8	1-2035334-8	1-1456574-8	1-2138699-4
1924955-8	1-1924727-4	2098762-4	1-2138699-8
1-1924955-8	2035170-4	1456968-8	1-2098753-4
1-1456841-8	1-2035170-4	1-1456968-8	2203242-4
2035334-8	1924275-8		

WIRE SIZE	CRIMP HEIGHT mm [INCH]	CRIMP HEIGHT REFERENCE SETTING
0.35mm <sup>2</sup> OR 22 AWG	0.91+/-0.03 [0.036+/-0.001]	8.8

- RECOMMENDED SPARE PARTS
- REFER TO SUPPLIED INSTRUCTION SHEET FOR CLEANING, LUBRICATION AND STORAGE OF APPLICATOR.
- APPLY PART NUMBER 2-23419-6 LOCTITE TO THREADS OF ITEM 242.
- CRIMP HEIGHT REFERENCE SETTING WAS THE SETTING USED WHEN THE APPLICATOR WAS QUALIFIED AT THE FACTORY. ADJUSTMENT MAY BE NECESSARY WHEN RUNNING APPLICATOR IN THE FIELD.
- TERMINAL LUBRICANT IS RECOMMENDED.
- 6. UNLESS SPECIFIED OTHERWISE TORQUE VALUES SHALL BE USED PER DOCUMENT, 101-35000.
- THIS APPLICATOR HAS BEEN DESIGNED TO APPLY WIRES WITH THIN WALL (FLR) INSULATION.
- DIMENSION 1.0±0.5 ON TERMINAL SUPPORT VIEW APPLIES TO ALL SOCKET TERMINALS.
- DIMENSION 4.2±0.5 ON TERMINAL SUPPORT VIEW APPLIES TO ALL PIN TERMINALS.
- THIS APPLICATOR IS EQUIPPED WITH THE DOUBLE ACTING PNEUMATIC FEED WITH SENSORS, AND IS APPLICATION SPECIFIC AND DOES NOT REQUIRE ITEMS 49 & 248.

LOC	DIST	REVISIONS					
A	66	P	LTN	DESCRIPTION	DATE	DWN	APVD
		L1		ECR-22-154414	30SEP2022	JWC	TE
		L2		ECR-23-167818	01MAR2023	FZ	JAH
		M		ECR-23-189715	13OCT2023	JWC	TE
		N		ECR-24-203507	21MAR2024	ROY	GEB

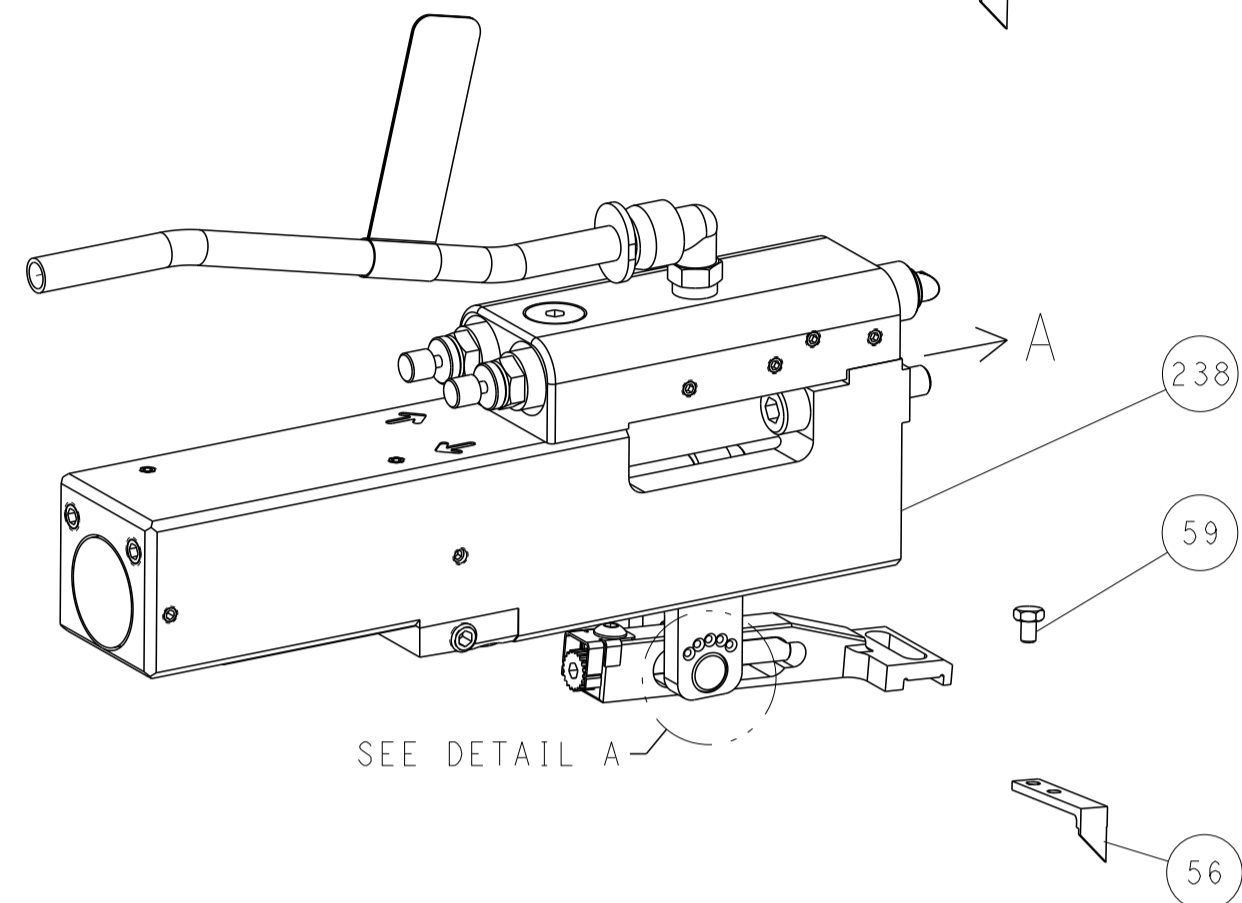
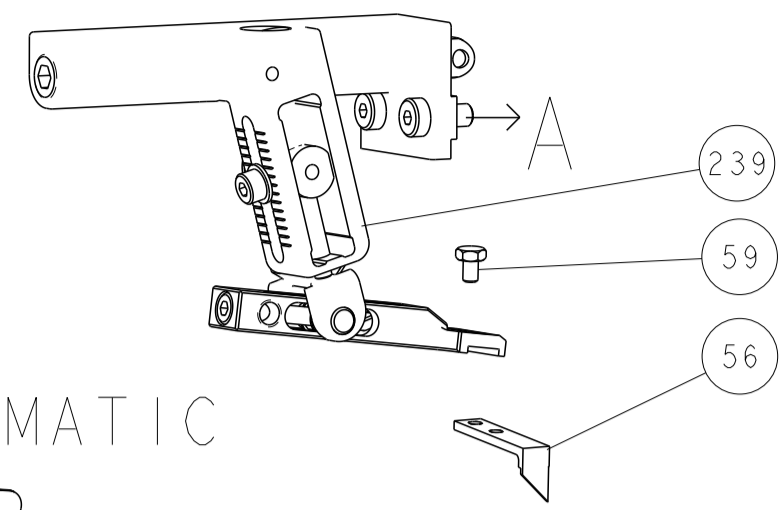
-	1	1	1	22278-9	SPRING, COMPRESSION	300
-	2	2	2	4-18032-3	SCR, SET, FLT PNT, M3 X 6.0	299
-	1	1	1	1803945-4	TONKER -	298
-	1	1	1	1803944-1	SPACER, TONKER	297
-	1	-	-	2844950-1	AIR FEED MODULE	290
-	-	1	-	2119641-1	FEED CAM, AIR FEED	248
-	1	1	1	2119082-5	CAM, SNAIL, INSULATION ADJUSTMENT	244
-	1	1	1	2079764-1	WASHER, WAVE SPRING, CREST-TO-CREST	243
-	1	1	1	2119083-1	RETAINER, INSULATION DIAL	242
-	1	1	1	7-18023-7	SCR, SKT HD CAP M3 X 4.0	241
-	-	-	1	2119580-1	MECHANICAL FEED ASSEMBLY	239
-	-	1	-	2844940-1	AIR FEED MODULE	238
-	REF	REF	REF	994970-2	COUNTER, MAGNETIC	164
-	1	1	1	1-18028-2	WASHER, FLAT, REG M4	119
-	1	1	1	2119955-1	ASSY, LUBRICATOR, SIDE FEED	113
-	1	1	1	2844908-1	SCREW, LOCKING	99
-	1	1	1	2844907-1	POST, LOCKING	98
-	1	1	1	455888-4	SPACER, CRIMPER -	82
-	1	1	1	1803607-3	DOCUMENTATION PACKAGE	71
-	1	1	1	2119791-9	DEPRESSOR, WIRE	70
-	1	1	1	2119740-1	TAG IDENTIFICATION	67
-	2	2	2	2168078-1	SCREW, DRIVE, RH, RoHS, 2 x .188	66
-	1	1	1	2168083-2	SCR, SKT HD CAP, RoHS, M4 X 8.0	60
-	1	1	1	5-18022-5	SCR, HEX HD CAP, M4 X 6.0	59
-	1	1	1	1338685-1	PAWL, FEED	56
-	4	4	4	2168083-3	SCR, SKT HD CAP, RoHS, M4 X 12.0	54
-	1	1	1	2168083-3	SCR, SKT HD CAP, RoHS, M4 X 12.0	53
-	-	1	2	18023-9	SCR, SKT HD CAP M4 X 6.0	49
-	-	-	1	2119652-1	FEED CAM, PRE FEED	48
-	-	-	1	2119653-1	FEED CAM, POST FEED	47
-	1	1	1	1803583-9	APPLICATOR BASIC ASSEMBLY, SF	46
-	1	1	1	1803515-1	RAM ASSEMBLY, SF ATLANTIC	44
-	1	1	1	1803602-1	SCR, BHSC, RoHS (M8 X 25)	41
-	1	1	1	6-1752356-2	SUPPORT, TERMINAL	34
-	2	2	2	2079383-5	SCR, BHSC, RoHS (M4 X 20)	33
-	2	2	2	2-2844962-4	SPACER, CYLINDRICAL, STRIP GUIDE	30
-	1	1	1	2844992-4	ASSEMBLY, STRIP GUIDE -	29
-	1	1	1	240792-1	DRAG, TERMINAL	25
-	1	1	1	1320928-2	STRIP GUIDE	24
-	1	1	1	2168083-2	SCR, SKT HD CAP, RoHS, M4 X 8.0	21
-	1	1	1	1-18028-2	WASHER, FLAT, REG M4	20
-	1	1	1	1-2119533-6	STRIPPER, SIDE FEED	19
-	1	1	1	2119806-1	INSERT, SHEAR	13
-	1	1	1	3-22280-3	SPRING, COMPRESSION	12
-	1	1	1	1-356885-4	STOP, SHEAR	11
-	1	1	1	2119805-1	SHEAR HOLDER, FRONT -	10
-	1	1	1	1-1803095-6	FLOATING SHEAR, FRONT -	9
-	1	1	1	1-1803058-6	ANVIL, COMBINATION	8
-	-	-	-	-	-	7
-	-	-	-	-	-	6
-	1	1	1	2119757-3	DEPRESSOR, SHEAR	5
-	1	1	1	3-238011-1	BLOCK, CRIMPER SPACER	4
-	1	1	1	1-1803019-1	CRIMPER, INSULATION O	3
-	1	1	1	455888-3	SPACER, CRIMPER -	2
-	1	1	1	8-1633860-6	CRIMPER, WIRE	1

**\*WARNING**  
ON INSTALLATION, SET WIRE DISC TO CRIMP HEIGHT REFERENCE SETTING FOR LARGEST WIRE SIZE. CRIMP HEIGHT REFERENCE SETTINGS GREATER THAN THE VALUE SHOWN MAY CAUSE DAMAGE TO THE CRIMP TOOLING. REFER TO THE INSTRUCTION SHEET FOR PROPER SETUP AND ADJUSTMENTS.

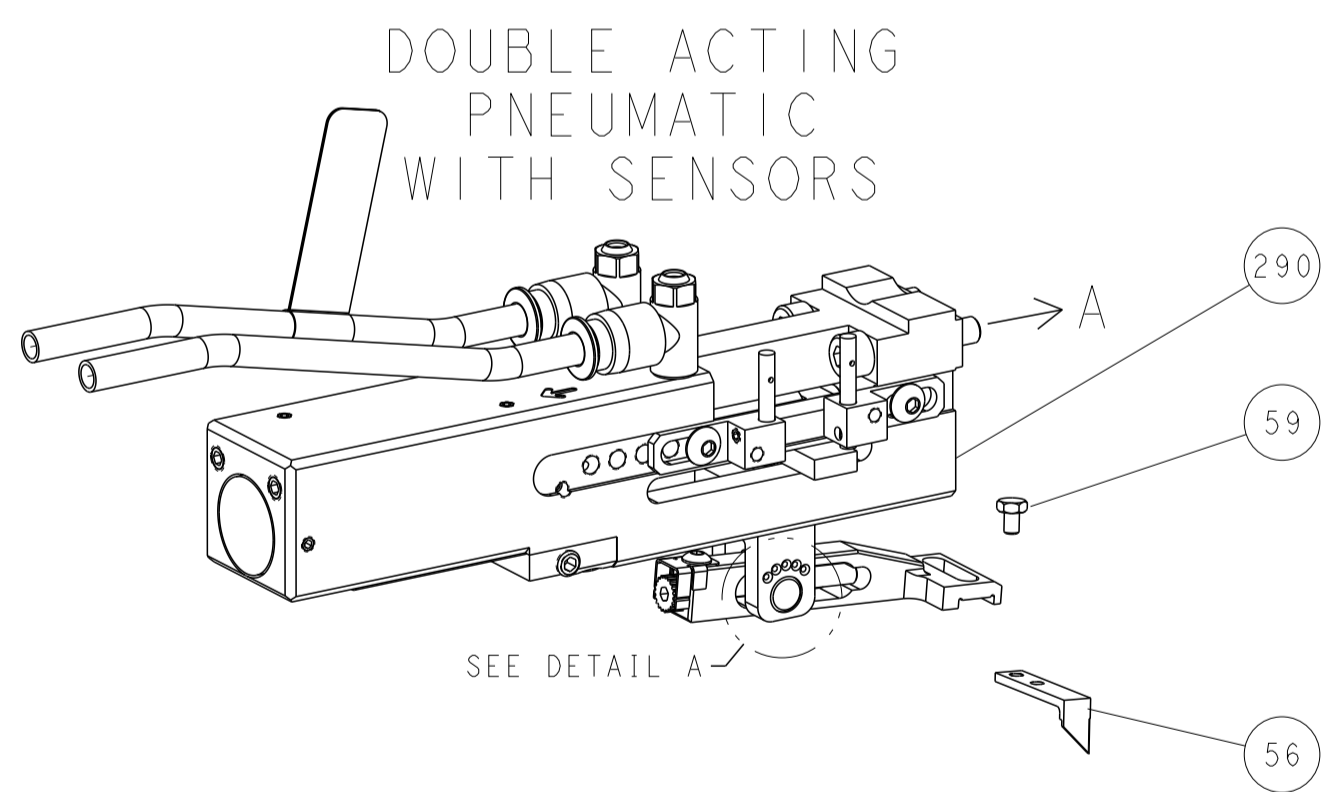
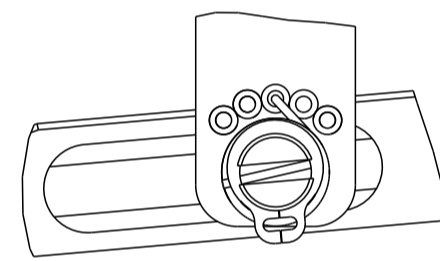
<small>THIS DRAWING IS UNPUBLISHED. IT IS THE PROPERTY OF STC CONNECTIVITY CORPORATION. IT IS TO BE USED ONLY FOR THE PROJECT AND FOR THE CUSTOMER'S USE. IT IS TO BE KEPT IN CONFIDENTIALITY AND NOT TO BE REPRODUCED OR TRANSMITTED IN ANY FORM OR BY ANY MEANS, ELECTRONIC OR MECHANICAL, INCLUDING PHOTOCOPYING, RECORDING, OR BY ANY INFORMATION STORAGE AND RETRIEVAL SYSTEM. PERMISSION TO REPRODUCE THIS DRAWING IN WHOLE OR IN PART MUST BE OBTAINED FROM STC CONNECTIVITY CORPORATION.</small>		DWN J. HOU 06FEB2015 CHK L. ZHANG 06FEB2015 APVD H. GUO 06FEB2015	TE Connectivity Harrisburg, PA 17105-3608
DIMENSIONS: mm 		TOLERANCES UNLESS OTHERWISE SPECIFIED: 0 PLC ± 1 PLC ± 2 PLC ± 3 PLC ± 4 PLC ± ANGLES ± FINISH	NAME Ocean Side Feed Applicator SIZE CAGE CODE DRAWING NO RESTRICTED TO A1 00779 C=2266673 Customer Accessible Production Drawing SCALE 1:2 SHEET 1 OF 4 REV N

LOC	DIST	REVISIONS					
A	66	P	LTN	DESCRIPTION	DATE	OWN	APVD
		-		SEE SHEET 1			

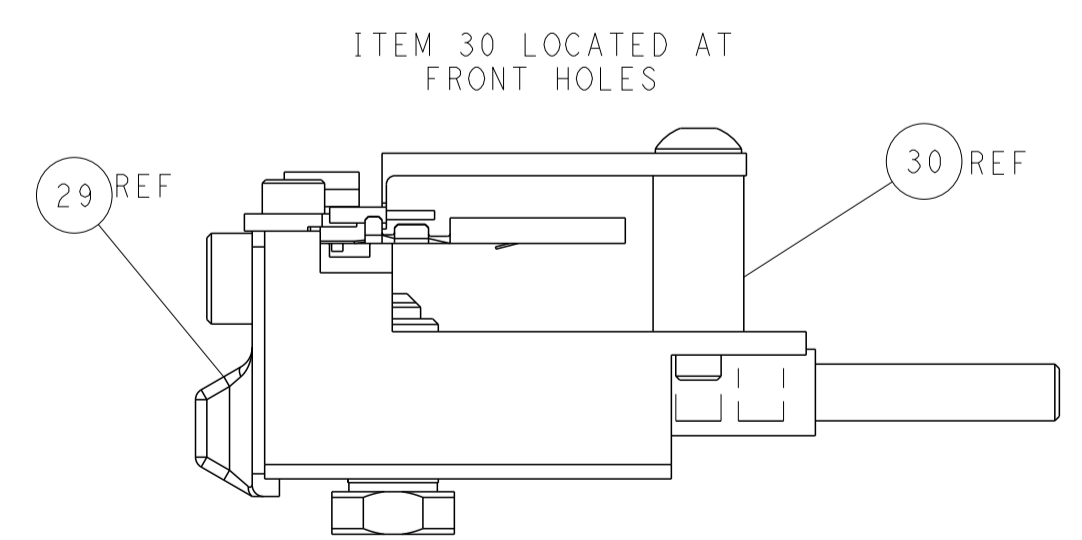
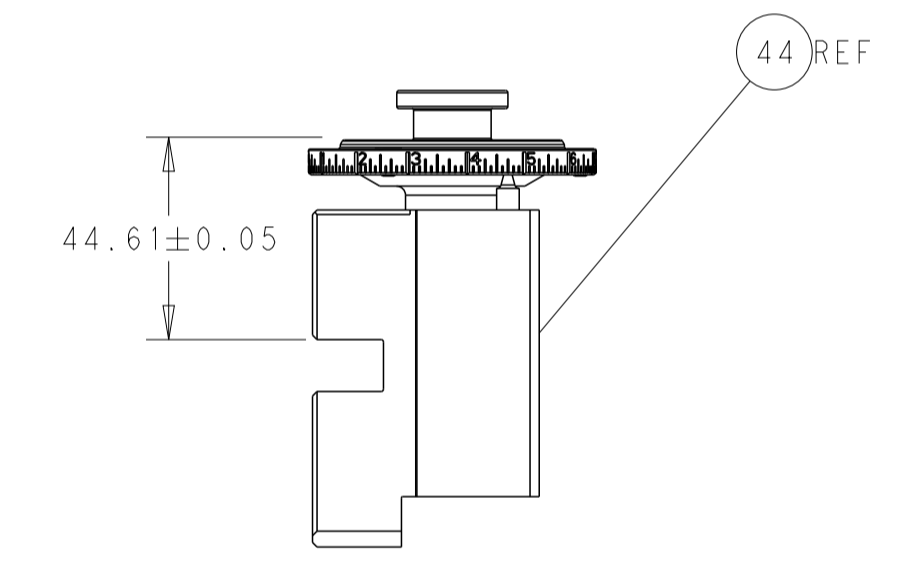
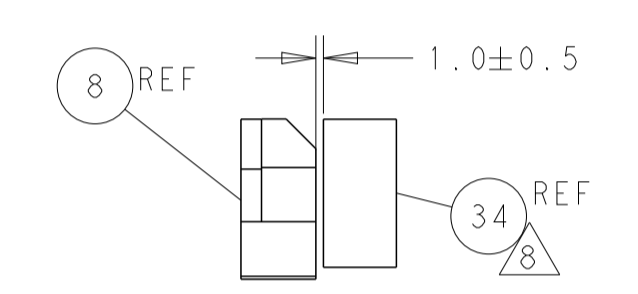
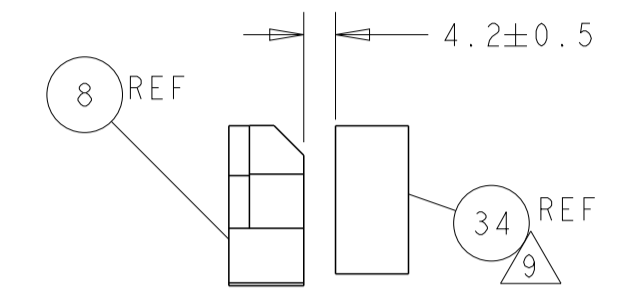
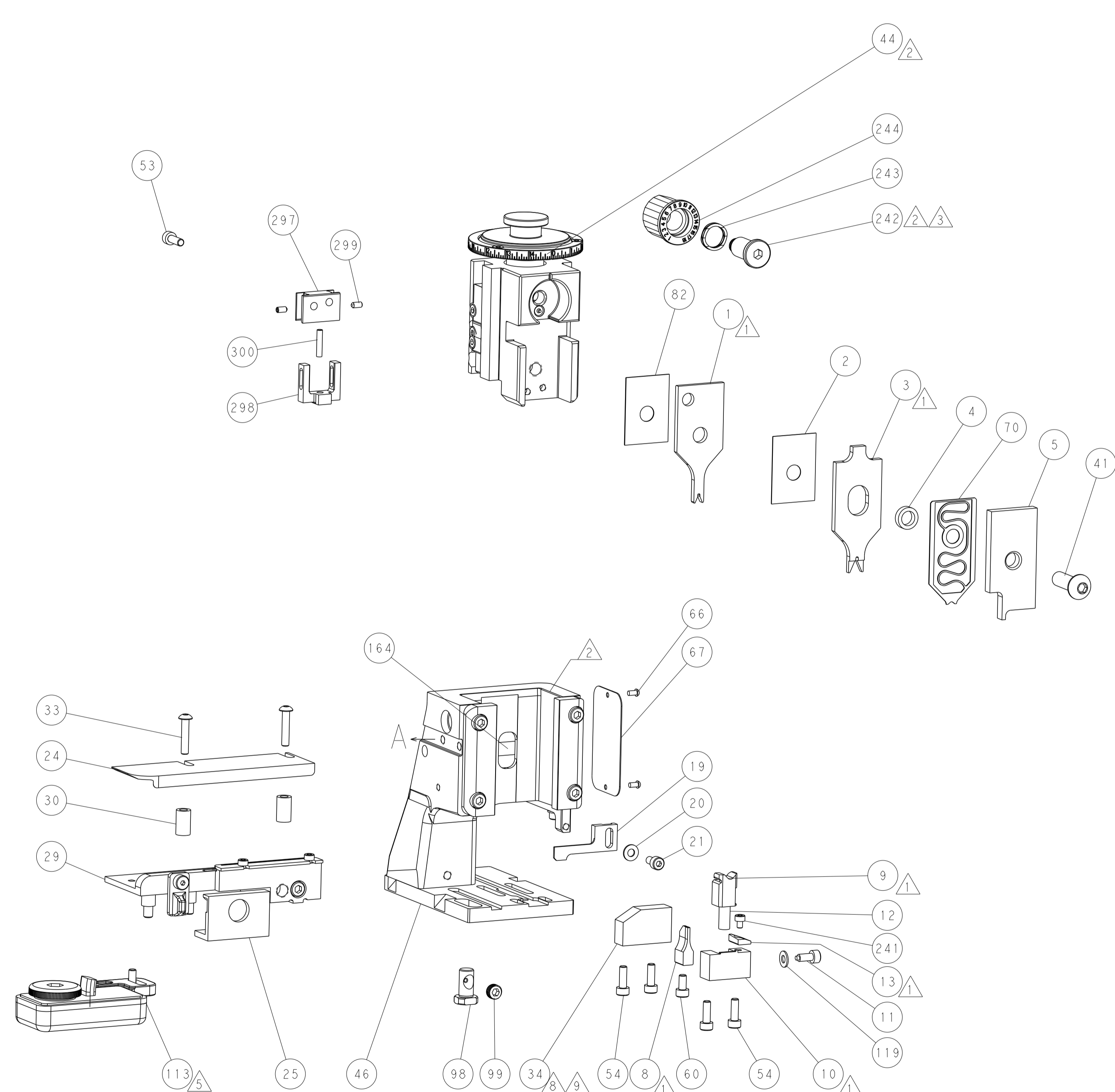
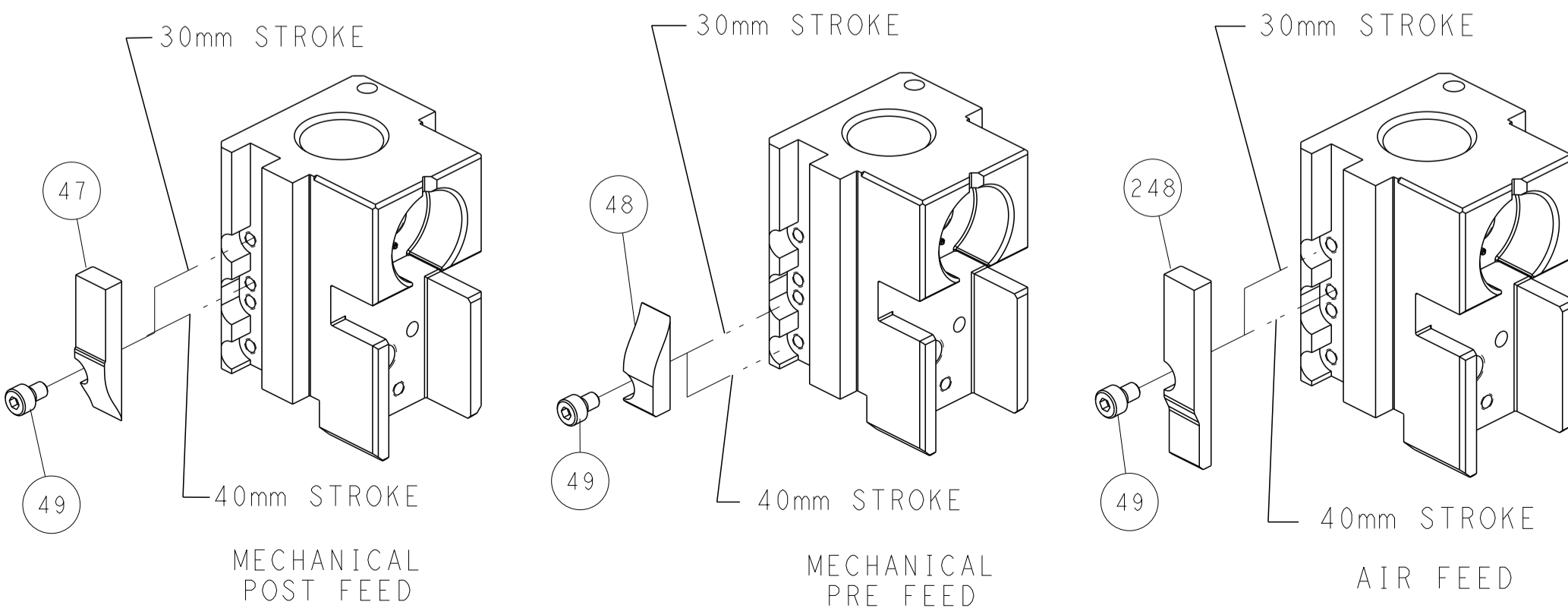
# FEED TYPE MECHANICAL



FEED SPRING SETTING POSITION (SHOWN FROM REAR SIDE)



# CAM POSITIONS



DIMENSIONS: mm TOLERANCES UNLESS OTHERWISE SPECIFIED: 0 PLC ± 1 PLC ± 2 PLC ± 3 PLC ± 4 PLC ± ANGLES ± FINISH		DWN J. HOU 06FEB2015 CHK L. ZHANG 06FEB2015 APVD H. GUO 06FEB2015 PRODUCT SPEC APPLICATION SPEC WEIGHT SCALE 1:2		NAME Ocean Side Feed Applicator SIZE CAGE CODE DRAWING NO. A1 00779 C=2266673 SHEET 2 OF 4 REV N	
---	--	--	--	--	--