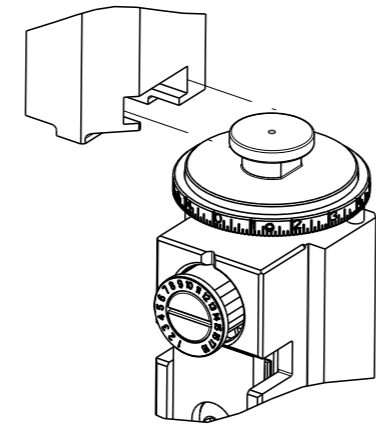


PART NUMBER	REVISION	DESCRIPTION	FEED TYPE
2266543-1	B	FINE CRIMP HEIGHT ADJUST	MECHANICAL
2266543-2	B	FINE CRIMP HEIGHT ADJUST	PNEUMATIC
7-2266543-1	B	MECHANICAL AND CRIMP TOOLING KIT	MECHANICAL
7-2266543-2	B	PNEUMATIC AND CRIMP TOOLING KIT	PNEUMATIC
7-2266543-7	A	CRIMP TOOLING KIT	-

ATLANTIC VERSION TERMINATOR INTERFACE ADAPTER



APPLICATOR DATA		
CRIMP	SIZE	TYPE
WIRE	1.57 mm [.062]	F
INSUL	2.90 mm [.114]	0

APPLICATOR INSTRUCTIONS  
408-35042

TERMINAL DATA: DELPHI TERMINAL DELPHI PACKARD CRIMP SPECIFICATION	
TERMINAL NAME: TAXI TERM F GT 150 SEALED	
WIRE STRIP LENGTH 4.92-5.68 mm [.194-.224 IN]	INSULATION DIAMETER RANGE Ø
TERMINAL APPLICATION SPECIFICATION 15326266 PAGE 5 of 12 Rev 3/4/14	
TERMINALS APPLIED	
TE TERMINAL	DELPHI TERMINAL
1949040-1	15326266
	1949041-1
	1949041-2
	1949130-4
	1949045-1
	15366022 (DELPHI)
	WA5045 (STARLIM)
	15344324 (DELPHI)
	15305351 (DELPHI)

WIRE SIZE	CRIMP HEIGHT mm [INCH]	CRIMP HEIGHT REFERENCE SETTING
0.50mm2	1.25+/-0.05 [1.049+/-0.002]	5.4
0.35mm2	1.15+/-0.05 [1.045+/-0.002]	6.7

- 1. RECOMMENDED SPARE PARTS
- 2. REFER TO SUPPLIED INSTRUCTION SHEET FOR CLEANING, LUBRICATION AND STORAGE OF APPLICATOR.
- 3. APPLY PART NUMBER 2-23419-6 LOCTITE TO THREADS OF ITEM 242.
- 4. CRIMP HEIGHT REFERENCE SETTING WAS THE SETTING USED WHEN THE APPLICATOR WAS QUALIFIED AT THE FACTORY. ADJUSTMENT MAY BE NECESSARY WHEN RUNNING APPLICATOR IN THE FIELD.
- 5. THE INSULATION RANGE LISTED IS FOR THE TERMINAL. REFER TO THE CHART FOR RANGE OF SEALS LISTED ON APPLICATOR DRAWING.
- 6. APPLY TORQ-SEAL IN ALLEN SOCKET TO FILL HOLE AFTER FLAT HD HAS BEEN ADJUSTED TO CORRECT HEIGHT AT QUALIFICATION. APPLY #1-23419-5 LOC-TITE TO THREADS.
- 7. UNLESS SPECIFIED OTHERWISE TORQUE VALUES SHALL BE USED PER DOCUMENT, 101-35000.

**\*WARNING**  
ON INSTALLATION, SET WIRE DISC TO CRIMP HEIGHT REFERENCE SETTING FOR LARGEST WIRE SIZE. CRIMP HEIGHT REFERENCE SETTINGS GREATER THAN THE VALUE SHOWN MAY CAUSE DAMAGE TO THE CRIMP TOOLING, REFER TO THE INSTRUCTION SHEET FOR PROPER SETUP AND ADJUSTMENTS.

**ATLANTIC VERSION**  
Shown on sheets 1 of 4 & 2 of 4  
(Pacific version shown on sheets 3 of 4 & 4 of 4)

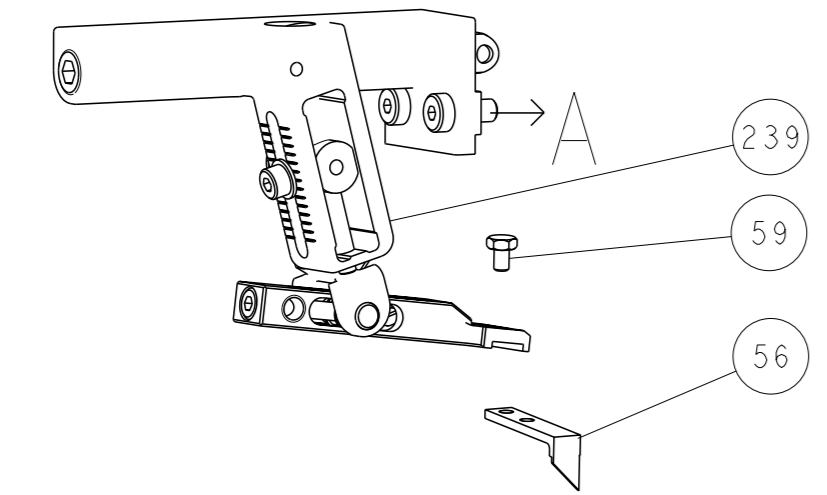
LOC	DIST	REV	DATE	BY	CHK	APPV
A	66	A	28SEP2015	BW	GB	
		B	05JUL2018	VLA	CT	

QTY	REF	REF	REF	REF	REF	DESCRIPTION	DATE	OWN	APPV
-	1	-	1	-		2119640-1	PUSH ROD, AIR FEED		250
-	1	-	1	-		1803259-1	BUSHING, FLANGED		249
-	1	-	1	-		2119641-1	FEED CAM, AIR FEED		248
-	1	1	1	1		2119082-4	CAM, SNAIL, INSULATION ADJUSTMENT		244
-	1	1	1	1		2079764-1	WASHER, WAVE SPRING, CREST-TO-CREST		243
-	1	1	1	1		2119083-1	RETAINER, INSULATION DIAL		242
-	1	1	1	1		7-18023-7	SCR, SKT HD CAP M3 X 4.0		241
-	1	-	1	-		2119580-1	MECHANICAL FEED ASSEMBLY		239
-	1	-	1	-		2063440-1	AIR FEED MODULE		238
-	2	-	2	-		21045-3	RING, RETAIN, EXTERN, 3/16 CRESCENT		172
-	REF	REF	REF	REF		994970-2	COUNTER, MAGNETIC		164
-	1	-	1	-		240638-1	SPRING, FEED FINGER		163
-	1	-	1	-		3-23627-7	PIN, RETAIN, GRVD, 3/16 X .854		137
-	1	-	1	-		2119799-1	HOLDER, FEED FINGER, AF		136
-	1	1	1	1		2844908-1	SCREW, LOCKING		99
-	1	1	1	1		2844907-1	POST, LOCKING		98
-	1	1	1	1		455888-5	SPACER, CRIMPER		82
-	1	1	1	1		1803607-1	DOCUMENTATION PACKAGE		71
-	1	1	1	1		2119740-1	TAG, IDENTIFICATION		67
-	2	2	2	2		2168078-1	SCREW, DRIVE, RH, RoHS, 2 x .188		66
-	1	1	1	1		2168083-2	SCR, SKT HD CAP, RoHS, M4 X 8.0		60
-	1	1	1	1		5-18022-5	SCR, HEX HD CAP, M4 X 6.0		59
-	1	1	1	1		985575-3	SCR, FLT SKT HD CAP M3 X 10.0		57
-	1	1	1	1		1338685-1	PAWL, FEED		56
-	4	4	4	4		2168083-3	SCR, SKT HD CAP, RoHS, M4 X 12.0		54
-	2	2	2	2		1-2168083-0	SCR, SKT HD CAP, RoHS, M4 X 10		53
-	1	1	1	1		5018030-1	NUT, HEX, REG, RoHS, M3		52
-	1	1	1	1		811242-5	BUMPER, HOLD DOWN		51
-	1	1	1	1		690753-2	SPACER, TONKER		50
-	1	2	1	2		18023-9	SCR, SKT HD CAP M4 X 6.0		49
-	-	1	-	1		2119652-1	FEED CAM, PRE FEED		48
-	-	1	-	1		2119653-1	FEED CAM, POST FEED		47
-	1	1	1	1		1803583-9	APPLICATOR BASIC ASSEMBLY, SF		46
-	1	1	1	1		1803515-1	RAM ASSEMBLY, SF ATLANTIC		44
-	1	1	1	1		1803602-1	SCR, BHSC, RoHS (M8 X 25)		41
-	1	1	1	1		3-1752356-3	SUPPORT, TERMINAL		34
-	2	2	2	2		2079383-5	SCR, BHSC, RoHS (M4 X 20)		33
-	2	2	2	2		2-2844962-6	SPACER, CYLINDRICAL, STRIP GUIDE		30
-	1	1	1	1		2844992-1	ASSEMBLY, STRIP GUIDE		29
-	1	1	1	1		455888-3	SPACER, CRIMPER		28
-	1	1	1	1		1320928-2	STRIP GUIDE		24
-	1	1	1	1		2168083-2	SCR, SKT HD CAP, RoHS, M4 X 8.0		21
-	2	2	2	2		1-18028-2	WASHER, FLAT, REG M4		20
-	1	1	1	1		2119533-1	STRIPPER, SIDE FEED		19
-	1	1	1	1		2119806-1	INSERT, SHEAR		13
-	1	1	1	1		3-22280-3	SPRING, COMPRESSION		12
-	1	1	1	1		1-356885-4	STOP, SHEAR		11
-	1	1	1	1		2119805-1	SHEAR HOLDER, FRONT		10
-	1	1	1	1		454276-5	FLOATING SHEAR, FRONT		9
-	1	2	2	1	1	3-1633918-4	ANVIL, COMBINATION		8
-	-	-	-	-		-	-		7
-	-	-	-	-		-	-		6
-	1	1	1	1		2119781-1	DEPRESSOR, SHEAR		5
-	1	1	1	1		3-238011-8	BLOCK, CRIMPER SPACER		4
-	1	2	2	1	1	6-1633965-3	CRIMPER, INSULATION O PREMIUM		3
-	1	1	1	1		1-455888-0	SPACER, CRIMPER		2
-	1	2	2	1	1	9-1633738-8	CRIMPER, WIRE		1

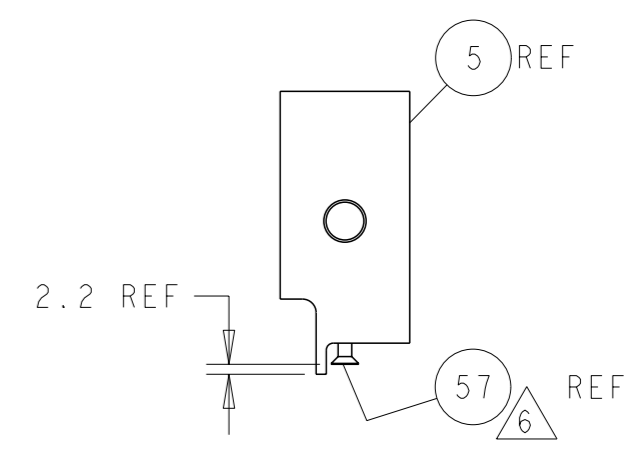
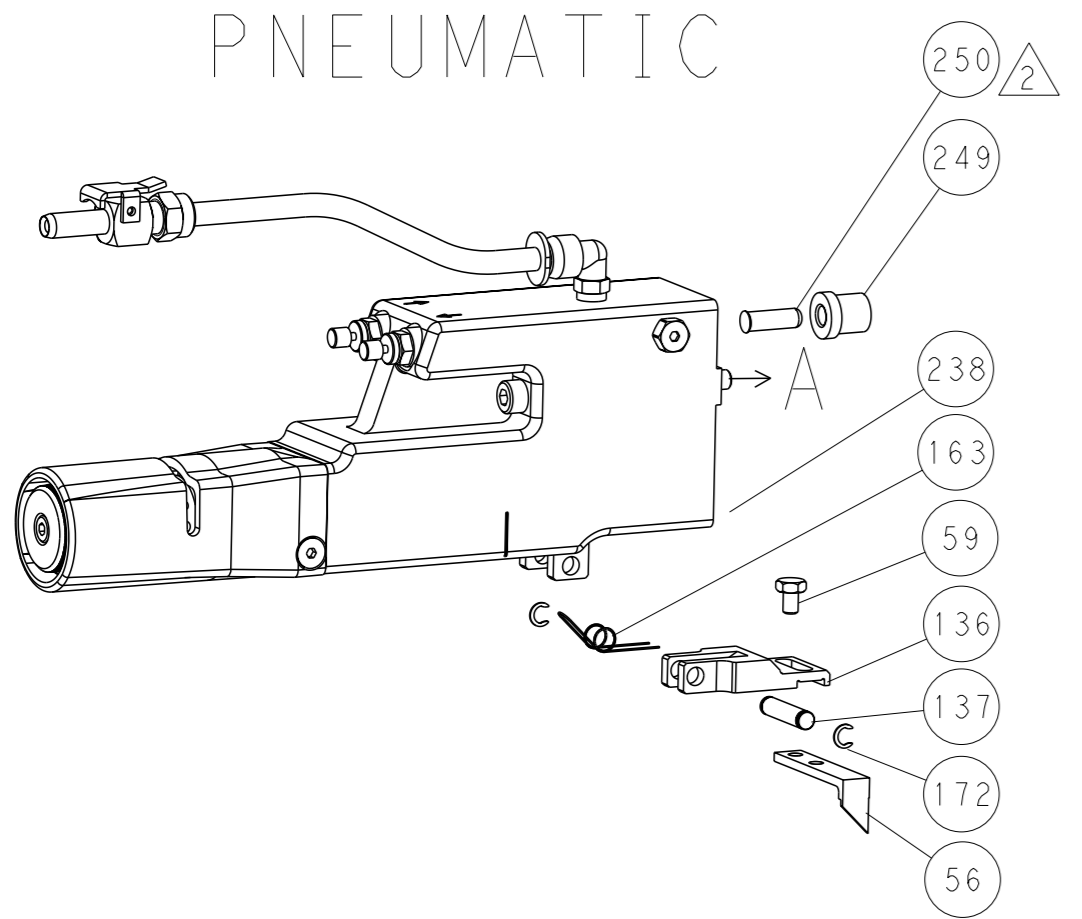
DIMENSIONS:		TOLERANCES UNLESS OTHERWISE SPECIFIED:		OWN: B. WEAVER 04AUG2015		TE Connectivity Harrisburg, PA 17105-3608	
mm	0 PLC ±	1 PLC ±	2 PLC ±	3 PLC ±	4 PLC ±	NAME: Ocean Side Feed Applicator	
MATERIAL:		FINISH:		APV: G. BAILEY 04AUG2015		SIZE: A1 00779 C=2266543	
				WEIGHT:		SCALE: 1:2 SHEET 1 OF 4 REV B	

LOC	DIST	REVISIONS			
A	66	REV	DATE	OWN	APVD
-	SEE SHEET 1	-	-	-	-

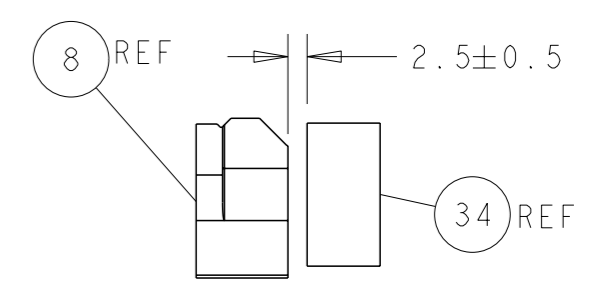
# FEED TYPE MECHANICAL



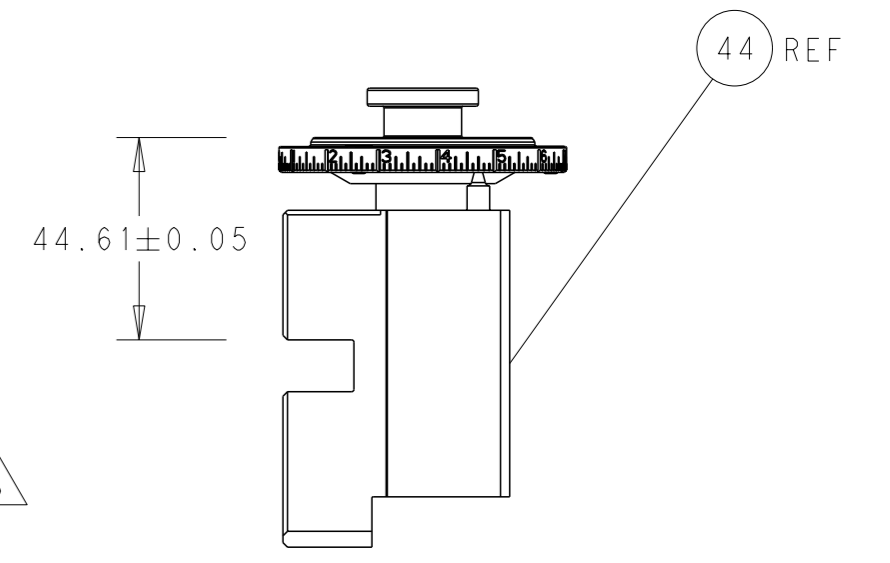
# PNEUMATIC



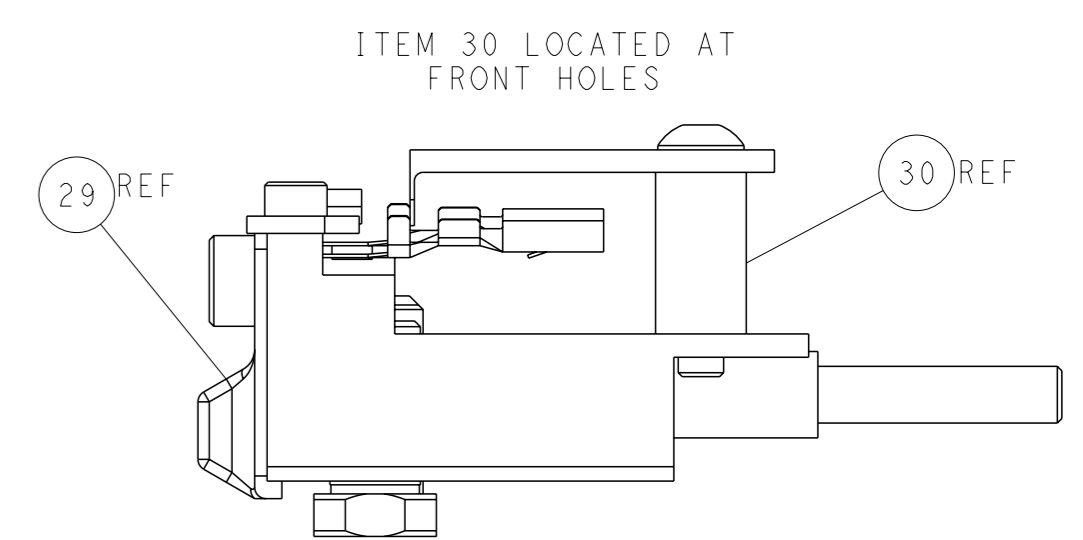
SHEAR DEPRESSOR DETAIL



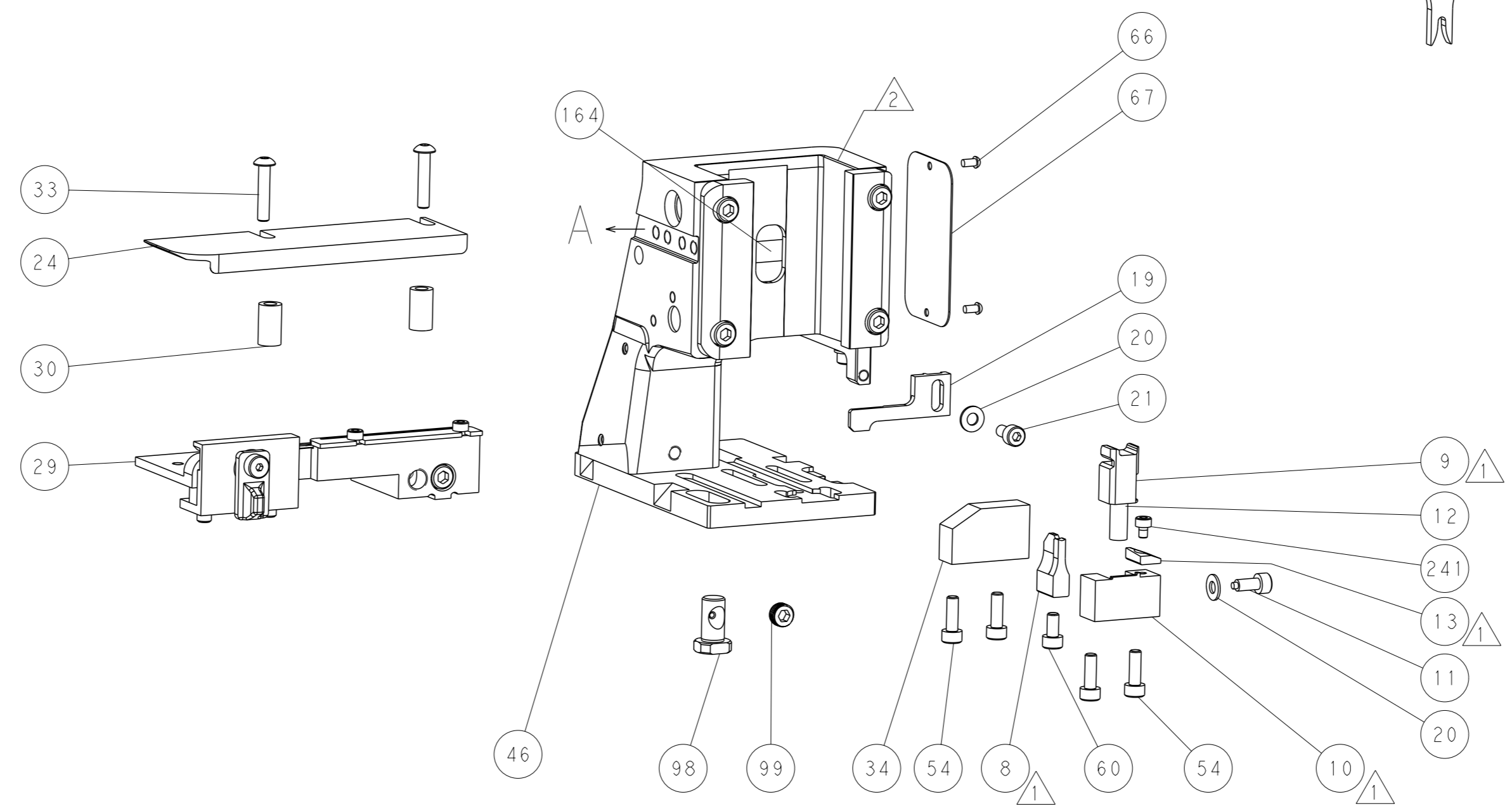
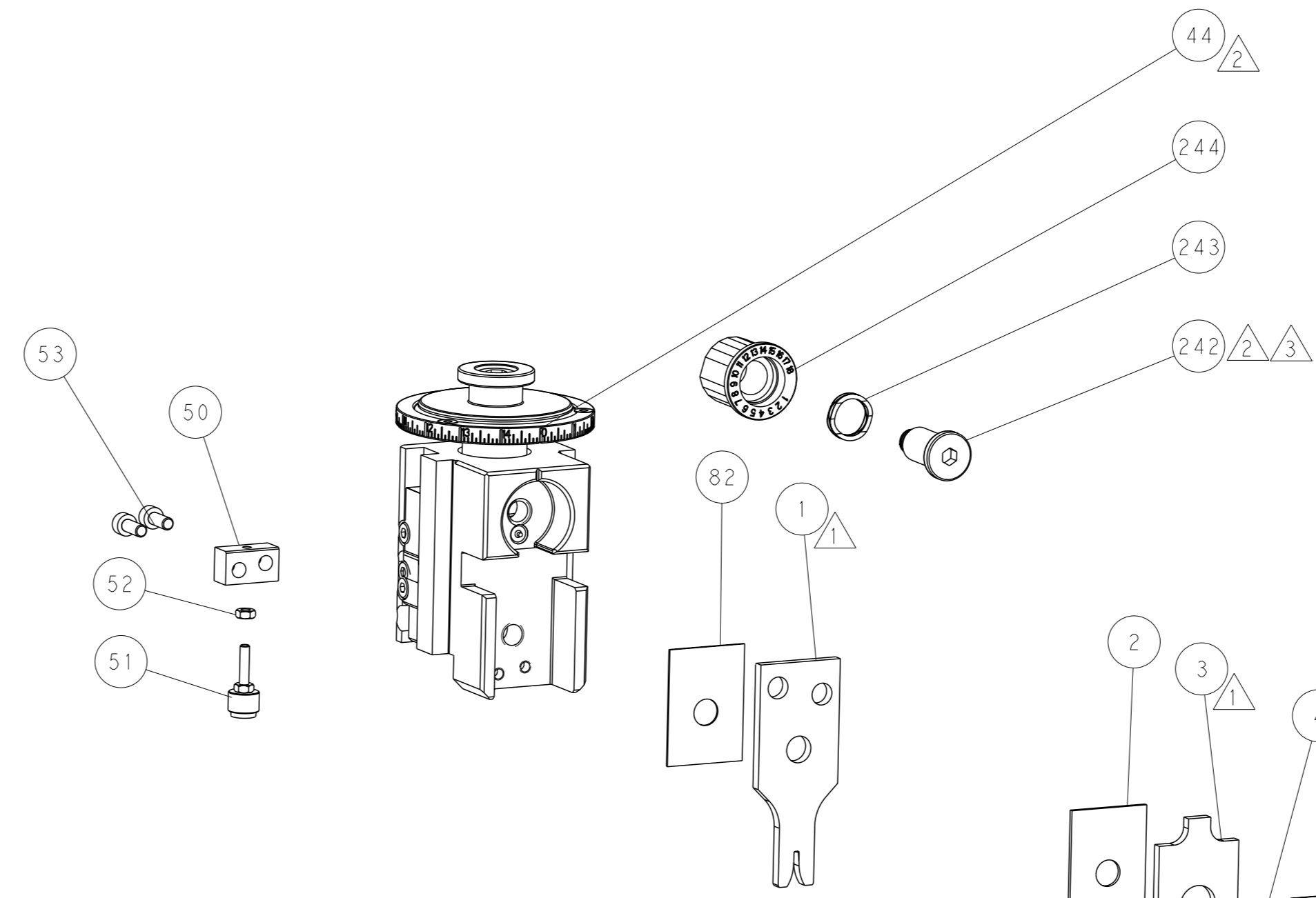
TERMINAL SUPPORT LOCATION



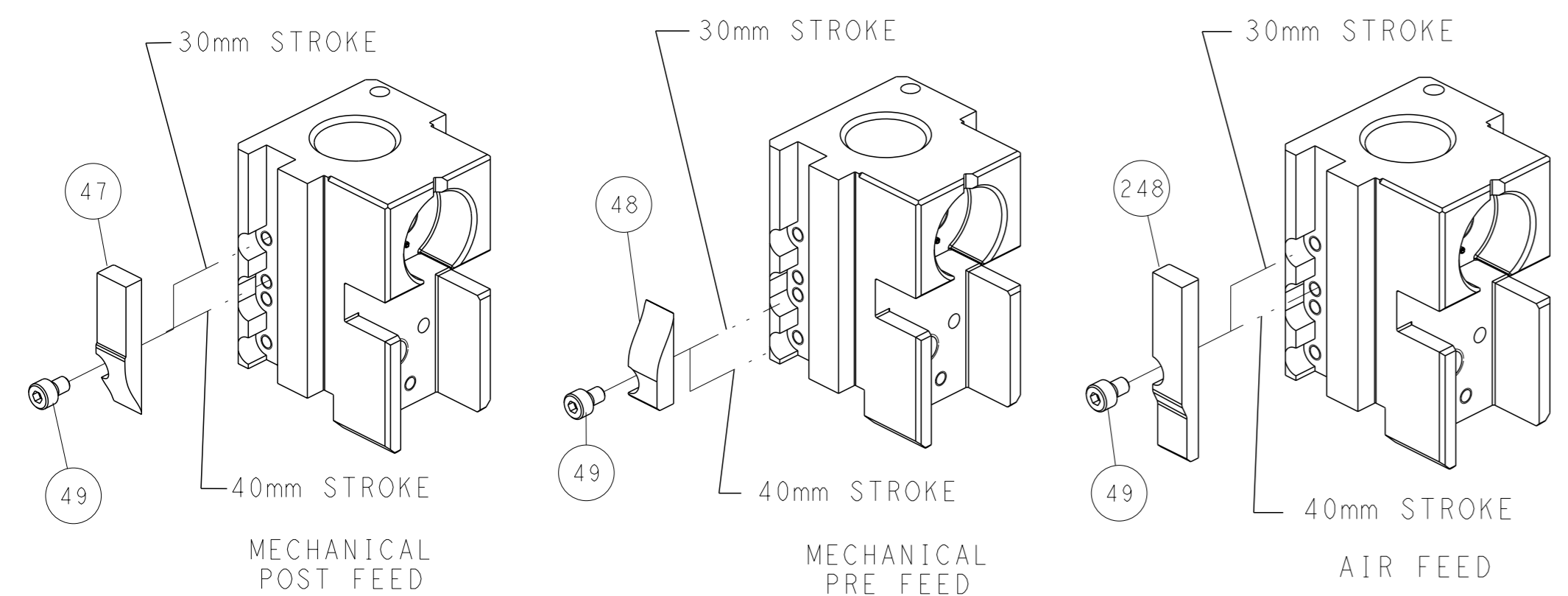
RAM SET-UP



FEED TRACK POSITION GUIDE BY INSULATION BARREL



# CAM POSITIONS

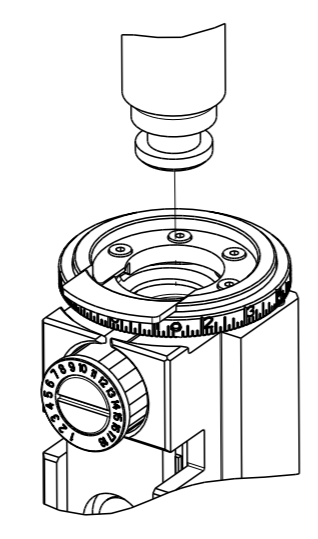


**ATLANTIC VERSION**  
 Shown on sheets 1 of 4 & 2 of 4  
 (Pacific version shown on sheets 3 of 4 & 4 of 4)

<small>THIS DRAWING IS A CONTROLLED DOCUMENT FOR TYCO ELECTRONICS CORPORATION. IT IS SUBJECT TO CHANGE AND TO CONTROLING ENGINEERING DISCRETION. SHOULD BE CONTACTED FOR THE LATEST REVISION.</small>		OWN: B. WEAVER CHK: G. BAILEY APVD: G. BAILEY PRODUCT SPEC: - APPLICATION SPEC: - WEIGHT: - MATERIAL: -	04AUG2015 04AUG2015 04AUG2015 - - - -	NAME: Ocean Side Feed Applicator SIZE: A1 CAGE CODE: 00779 DRAWING NO: 2266543 SCALE: 1:2 SHEET: 2 of 4 REV: B	TE Connectivity Harrisburg, PA 17105-3608
---	--	---	---	--	--

PART NUMBER	REVISION	DESCRIPTION	FEED TYPE
2-2266543-1	B	FINE CRIMP HEIGHT ADJUST	MECHANICAL
2-2266543-2	B	FINE CRIMP HEIGHT ADJUST	PNEUMATIC
7-2266543-7	A	CRIMP TOOLING KIT	-

PACIFIC VERSION TERMINATOR  
 INTERFACE ADAPTER



APPLICATOR DATA

CRIMP	SIZE	TYPE
WIRE	1.57 mm [.062]	F
INSUL	2.90 mm [.114]	O

APPLICATOR INSTRUCTIONS  
 408-35042

TERMINAL DATA: DELPHI TERMINAL DELPHI PACKARD CRIMP SPECIFICATION

TERMINAL NAME: TAXI TERM F GT 150 SEALED

WIRE STRIP LENGTH	INSULATION DIAMETER RANGE
4.92-5.68 mm [.194-.224 IN]	∅

TERMINAL APPLICATION SPECIFICATION 15326266 PAGE 5 of 12 Rev 3/4/14

TERMINALS APPLIED

TE TERMINAL	DELPHI TERMINAL	TE SEAL	DELPHI/STARLIM SEAL	CABLE DIAMETER
1949040-1	15326266	1949041-1	15366022 (DELPHI)	1.40-1.90
		1949041-2	WA5045 (STARLIM)	1.40-1.90
		1949130-4	15344324 (DELPHI)	1.20-2.10
		1949045-1	15305351 (DELPHI)	1.70-2.10

WIRE SIZE	CRIMP HEIGHT mm [INCH]	CRIMP HEIGHT REFERENCE SETTING
0.50mm2	1.25+/-0.05 [.049+/- .002]	5.4
0.35mm2	1.15+/-0.05 [.045+/- .002]	6.7



- 1. RECOMMENDED SPARE PARTS
- 2. REFER TO SUPPLIED INSTRUCTION SHEET FOR CLEANING, LUBRICATION AND STORAGE OF APPLICATOR.
- 3. APPLY PART NUMBER 2-23419-6 LOCTITE TO THREADS OF ITEM 242.
- 4. CRIMP HEIGHT REFERENCE SETTING WAS THE SETTING USED WHEN THE APPLICATOR WAS QUALIFIED AT THE FACTORY. ADJUSTMENT MAY BE NECESSARY WHEN RUNNING APPLICATOR IN THE FIELD.
- 5. THE INSULATION RANGE LISTED IS FOR THE TERMINAL. REFER TO THE CHART FOR RANGE OF SEALS LISTED ON APPLICATOR DRAWING.
- 6. APPLY TORQ-SEAL IN ALLEN SOCKET TO FILL HOLE AFTER FLAT HD HAS BEEN ADJUSTED TO CORRECT HEIGHT AT QUALIFICATION. APPLY #1-23419-5 LOC-TITE TO THREADS.
- 7. UNLESS SPECIFIED OTHERWISE TORQUE VALUES SHALL BE USED PER DOCUMENT, 101-35000.

**\*WARNING**  
 ON INSTALLATION, SET WIRE DISC TO CRIMP HEIGHT REFERENCE SETTING FOR LARGEST WIRE SIZE. CRIMP HEIGHT REFERENCE SETTINGS GREATER THAN THE VALUE SHOWN MAY CAUSE DAMAGE TO THE CRIMP TOOLING, REFER TO THE INSTRUCTION SHEET FOR PROPER SETUP AND ADJUSTMENTS.

**PACIFIC VERSION**  
 Shown on sheets 3 of 4 & 4 of 4  
 (Atlantic version shown on sheets 1 of 4 & 2 of 4)

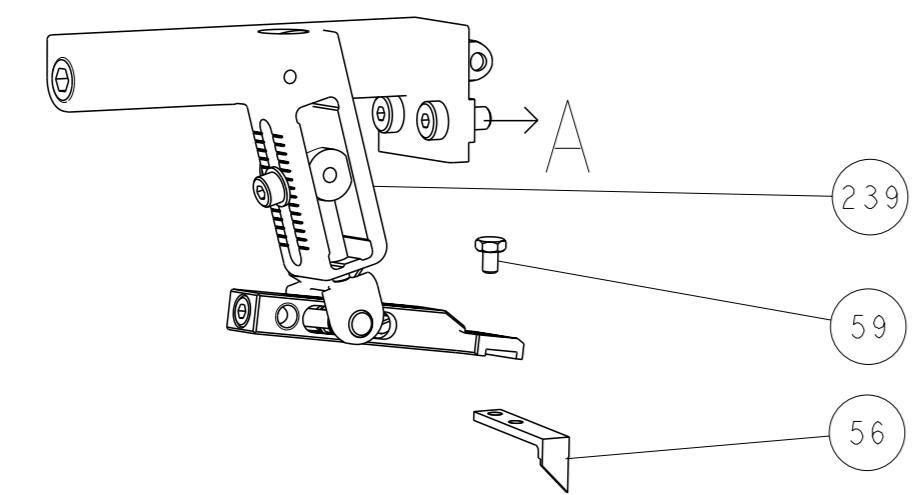
LOC	DIST	REV	DATE	BY	APPV
A	66				

REV	DATE	BY	APPV	DESCRIPTION	ITEM NO
-	1	-		2119640-1 PUSH ROD, AIR FEED	250
-	1	-		1803259-1 BUSHING, FLANGED	249
-	1	1		2119082-4 CAM, SNAIL, INSULATION ADJUSTMENT	244
-	1	1		2079764-1 WASHER, WAVE SPRING, CREST-TO-CREST	243
-	1	1		2119083-1 RETAINER, INSULATION DIAL	242
-	1	1		7-18023-7 SCR, SKT HD CAP M3 X 4.0	241
-	-	1		2119580-1 MECHANICAL FEED ASSEMBLY	239
-	1	-		2063440-1 AIR FEED MODULE	238
-	2	-		21045-3 RING, RETAIN, EXTERN, 3/16 CRESCENT	172
-	REF	REF		994970-2 COUNTER, MAGNETIC	164
-	1	-		240638-1 SPRING, FEED FINGER	163
-	1	-		2119641-2 FEED CAM, AIR FEED	151
-	1	1		2168083-8 SCR, SKT HD CAP, RoHS, M4 X 16	144
-	4	4		2168083-9 SCR, SKT HD CAP, RoHS, M4 X 20	143
-	-	1		2119653-2 FEED CAM, POST FEED	142
-	1	1		1-1803583-0 APPLICATOR BASIC ASSEMBLY, SF	141
-	1	1		1803516-1 RAM ASSEMBLY, SF PACIFIC	140
-	1	-		3-23627-7 PIN, RETAIN, GRVD, 3/16 X .854	137
-	1	-		2119799-1 HOLDER, FEED FINGER, AF	136
-	1	1		2844908-1 SCREW, LOCKING	99
-	1	1		2844907-1 POST, LOCKING	98
-	1	1		455888-5 SPACER, CRIMPER	82
-	1	1		1803607-1 DOCUMENTATION PACKAGE	71
-	1	1		2119740-1 TAG, IDENTIFICATION	67
-	2	2		2168078-1 SCREW, DRIVE, RH, RoHS, 2 x .188	66
-	1	1		5-18022-5 SCR, HEX HD CAP, M4 X 6.0	59
-	1	1		985575-3 SCR, FLT SKT HD CAP M3 X 10.0	57
-	1	1		1338685-1 PAWL, FEED	56
-	2	2		1-2168083-0 SCR, SKT HD CAP, RoHS, M4 X 10	53
-	1	1		5018030-1 NUT, HEX, REG, RoHS, M3	52
-	1	1		811242-5 BUMPER, HOLD DOWN	51
-	1	1		690753-2 SPACER, TONKER	50
-	1	2		18023-9 SCR, SKT HD CAP M4 X 6.0	49
-	-	1		2119652-1 FEED CAM, PRE FEED	48
-	1	1		1803602-1 SCR, BHSC, RoHS (M8 X 25)	41
-	1	1		3-1752356-3 SUPPORT, TERMINAL	34
-	2	2		2079383-5 SCR, BHSC, RoHS (M4 X 20)	33
-	2	2		2-2844962-6 SPACER, CYLINDRICAL, STRIP GUIDE	30
-	1	1		2844992-1 ASSEMBLY, STRIP GUIDE	29
-	1	1		455888-3 SPACER, CRIMPER	28
-	1	1		1320928-2 STRIP GUIDE	24
-	1	1		2168083-2 SCR, SKT HD CAP, RoHS, M4 X 8.0	21
-	2	2		1-18028-2 WASHER, FLAT, REG M4	20
-	1	1		2119533-1 STRIPPER, SIDE FEED	19
-	1	1		2119806-1 INSERT, SHEAR	13
-	1	1		3-22280-3 SPRING, COMPRESSION	12
-	1	1		1-356885-4 STOP, SHEAR	11
-	1	1		2119805-1 SHEAR HOLDER, FRONT	10
-	1	1		454276-5 FLOATING SHEAR, FRONT	9
-	1	1		3-1633918-4 ANVIL, COMBINATION	8
-	-	-		-	7
-	-	-		-	6
-	1	1		2119781-1 DEPRESSOR, SHEAR	5
-	1	1		3-238011-8 BLOCK, CRIMPER SPACER	4
-	1	1		6-1633965-3 CRIMPER, INSULATION O PREMIUM	3
-	1	1		1-455888-0 SPACER, CRIMPER	2
-	1	1		9-1633738-8 CRIMPER, WIRE	1
-	77	22	21	PART NO	
-	-	-	-	DESCRIPTION	
-	-	-	-	ITEM NO	

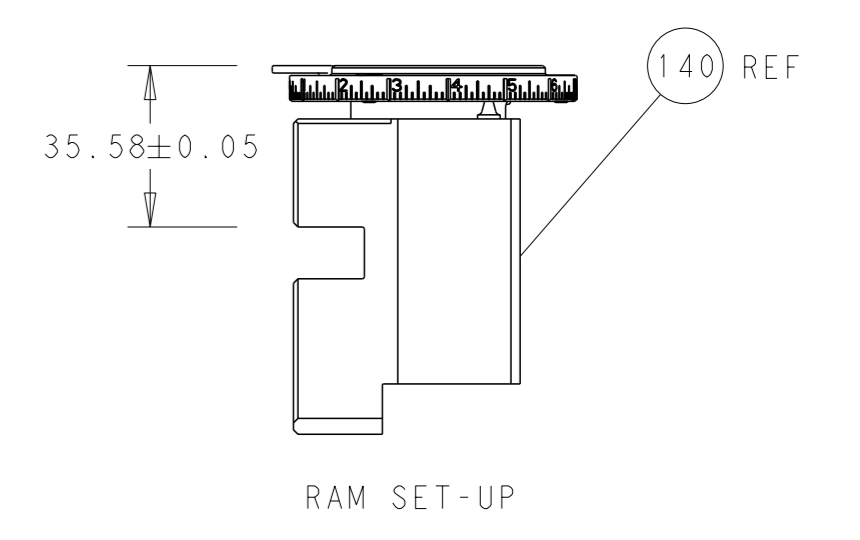
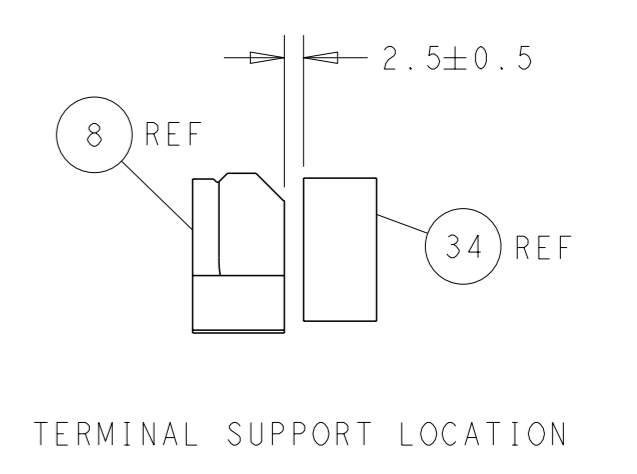
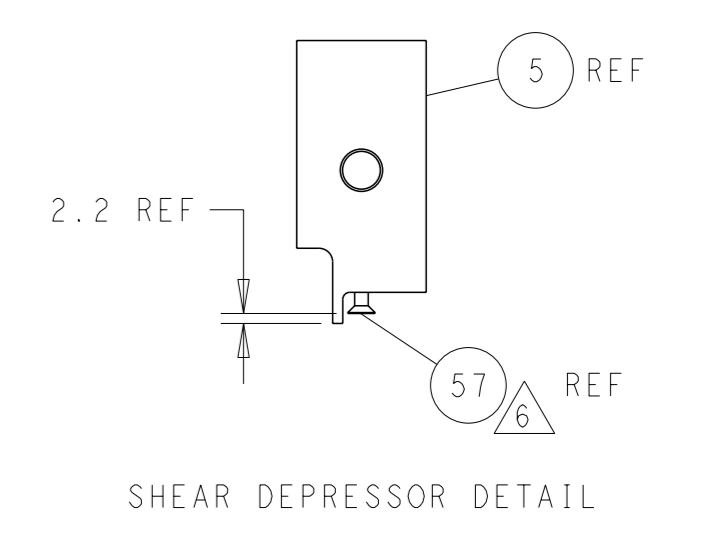
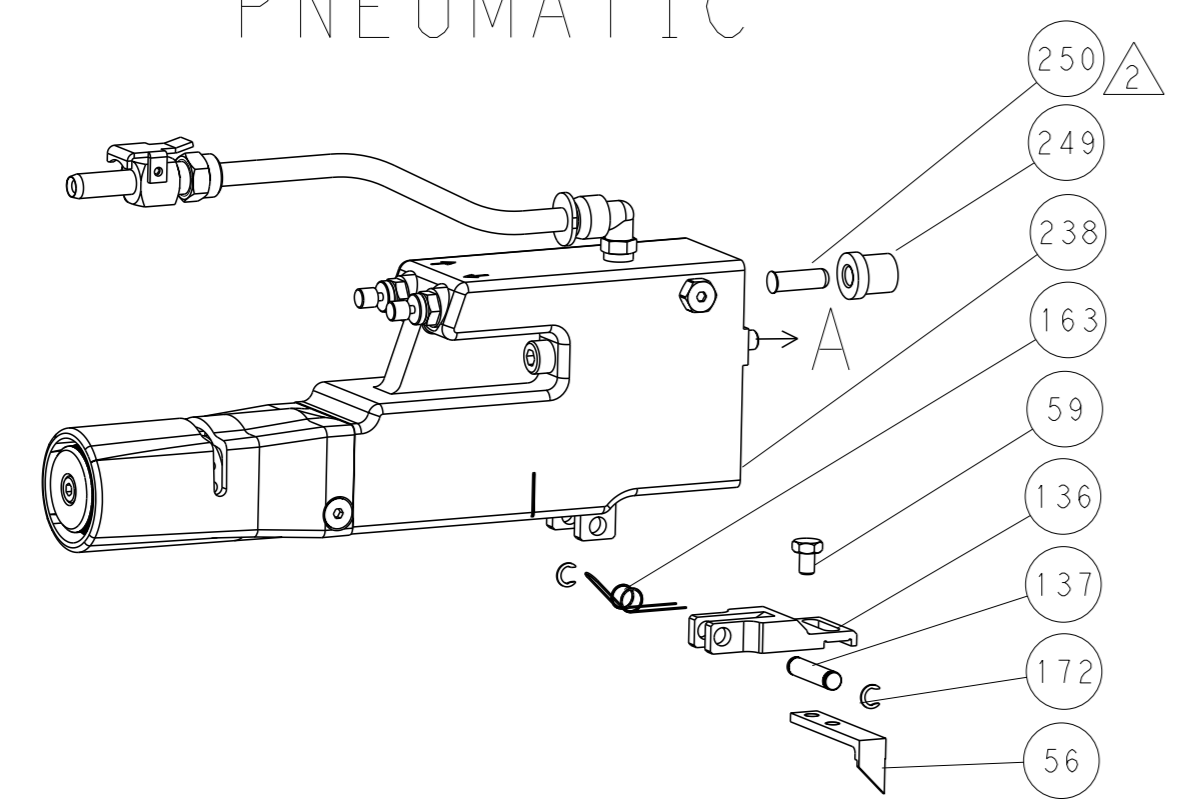
DIMENSIONS: mm 0 PLC ± 1 PLC ± 2 PLC ± 3 PLC ± 4 PLC ± ANGLES FINISH ±		TOLERANCES UNLESS OTHERWISE SPECIFIED: ±		OWN B. WEAVER 04AUG2015 CHK G. BAILEY 04AUG2015 APVD G. BAILEY 04AUG2015		NAME Ocean Side Feed Applicator	
MATERIAL:		WEIGHT:		SIZE: A1 CAGE CODE: 00779 DRAWING NO: 2266543		RESTRICTED TO:	
Customer Accessible Production Drawing				SCALE: 1:2		SHEET 3 of 4 REV B	

LOC	DIST	REVISIONS			
A	66	REV	DATE	OWN	APVD
		-	SEE SHEET 1	-	-

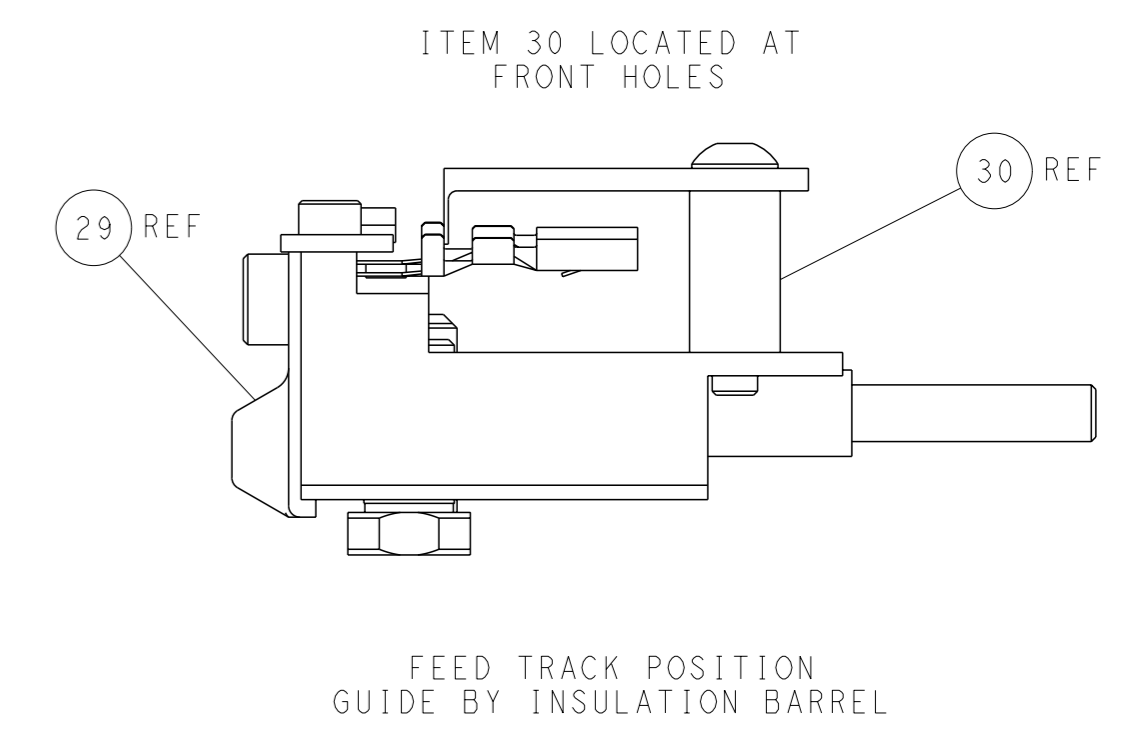
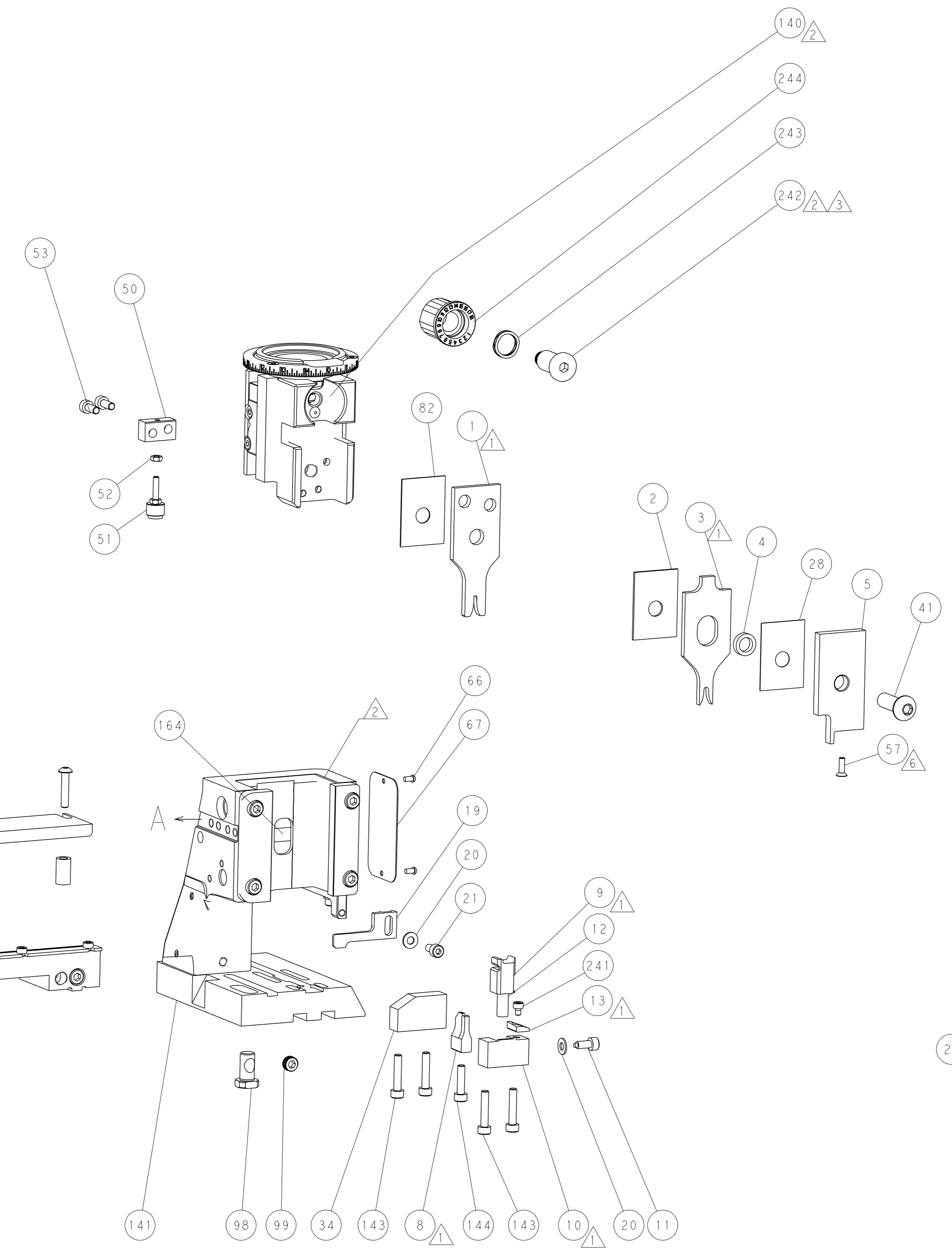
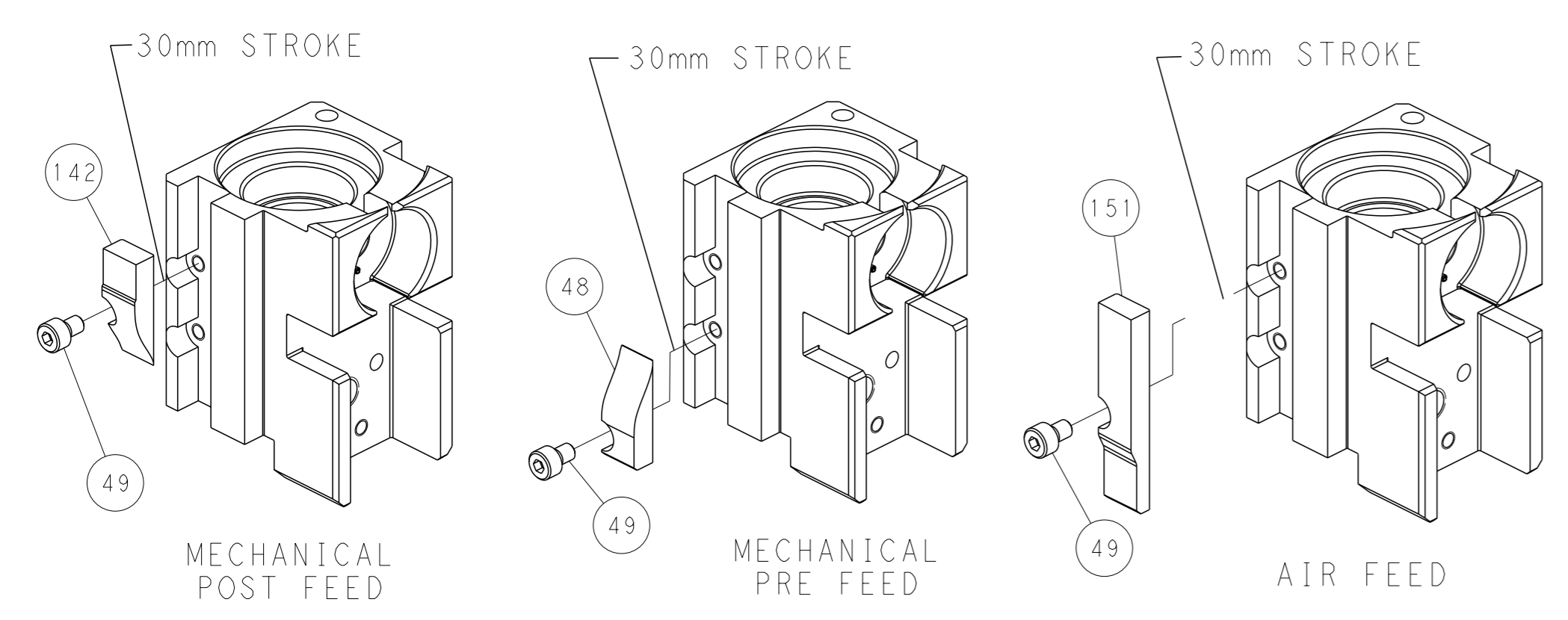
# FEED TYPE MECHANICAL



# PNEUMATIC



# CAM POSITIONS



**PACIFIC VERSION**  
 Shown on sheets 3 of 4 & 4 of 4  
 (Atlantic version shown on sheets 1 of 4 & 2 of 4)

<small>THIS DRAWING IS A CONTROLLED DOCUMENT FOR TYCO ELECTRONICS CORPORATION. IT IS SUBJECT TO CHANGE AND THE CONTROLLING ENGINEERING ORGANIZATION SHOULD BE CONTACTED FOR THE LATEST REVISION.</small>		OWN: B. WEAVER CHK: G. BAILEY APVD: G. BAILEY PRODUCT SPEC: - APPLICATION SPEC: - MATERIAL: - WEIGHT: -	DATE: 04AUG2015 DATE: 04AUG2015 DATE: 04AUG2015 SCALE: 1:2 SHEET: 4 of 4 REV: B	NAME: Ocean Side Feed Applicator SIZE: A1 CAGE CODE: 00779 DRAWING NO: 2266543 RESTRICTED TO: -
--	--	---	--	---