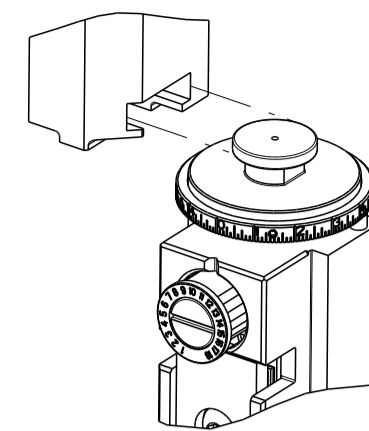


PART NUMBER	REVISION	DESCRIPTION	FEED TYPE
2266283-1	C	FINE CRIMP HEIGHT ADJUST	MECHANICAL
2266283-2	C	FINE CRIMP HEIGHT ADJUST	PNEUMATIC
7-2266283-1	C	MECHANICAL AND CRIMP TOOLING KIT	MECHANICAL
7-2266283-2	C	PNEUMATIC AND CRIMP TOOLING KIT	PNEUMATIC
7-2266283-7	A	CRIMP TOOLING KIT	-

ATLANTIC VERSION TERMINATOR INTERFACE ADAPTER



APPLICATOR DATA		
CRIMP	SIZE	TYPE
WIRE	2.79 mm [.110]	F
INSUL	3.81 mm [.150]	F

APPLICATOR INSTRUCTIONS  
408-35042

TERMINAL DATA: ARKLES/MERCURY TERMINAL TE CRIMP SPECIFICATION			
TERMINAL NAME: RECEPTACLE			
WIRE STRIP LENGTH	INSULATION DIAMETER RANGE		
4.34-5.11 mm [.171-.201 IN]	Ø2.29-3.56 mm [.090-.140 IN]		
TERMINAL APPLICATION SPECIFICATION	NONE		
TERMINALS APPLIED			
TE TERMINAL	NON TE TERMINAL	TE TERMINAL	NON TE TERMINAL
2113456-1	3800H64AK	2113456-2	814433

WIRE SIZE	CRIMP HEIGHT mm [INCH]	CRIMP HEIGHT REFERENCE SETTING
14 AWG	1.78 +/- 0.05 [.070 +/- .002]	5.3
16 AWG	1.56 +/- 0.05 [.061 +/- .002]	7.6
18 AWG	1.43 +/- 0.05 [.056 +/- .002]	9.0

- 1. RECOMMENDED SPARE PARTS
- 2. REFER TO SUPPLIED INSTRUCTION SHEET FOR CLEANING, LUBRICATION AND STORAGE OF APPLICATOR.
- 3. APPLY PART NUMBER 2-23419-6 LOCTITE TO THREADS OF ITEM 242.
- 4. CRIMP HEIGHT REFERENCE SETTING WAS THE SETTING USED WHEN THE APPLICATOR WAS QUALIFIED AT THE FACTORY. ADJUSTMENT MAY BE NECESSARY WHEN RUNNING APPLICATOR IN THE FIELD.
- 5. UNLESS SPECIFIED OTHERWISE TORQUE VALUES SHALL BE USED PER DOCUMENT, 101-35000.

**\*WARNING**  
ON INSTALLATION, SET WIRE DISC TO CRIMP HEIGHT REFERENCE SETTING FOR LARGEST WIRE SIZE. CRIMP HEIGHT REFERENCE SETTINGS GREATER THAN THE VALUE SHOWN MAY CAUSE DAMAGE TO THE CRIMP TOOLING, REFER TO THE INSTRUCTION SHEET FOR PROPER SETUP AND ADJUSTMENTS.

LOC	DIST	REVISIONS					
A	66	P	LTN	DESCRIPTION	DATE	OWN	APVD
		A		RELEASED	20JUN2014	LG	TE
		B		ECR-17-016821	16NOV2017	MZ	JAH
		C		ECR-23-194623	08DEC2023	FZ	TE

-	1	1	1	1	7-18023-7	SCR, SKT HD CAP M3 X 4.0	283
-	1	1	1	1	2280441-1	INSERT, SHEAR	282
-	1	-	1	-	2119641-1	FEED CAM, AIR FEED	248
-	1	1	1	1	2119082-3	CAM, SNAIL, INSULATION ADJUSTMENT	244
-	1	1	1	1	2079764-1	WASHER, WAVE SPRING, CREST-TO-CREST	243
-	1	1	1	1	2119083-1	RETAINER, INSULATION DIAL	242
-	1	1	1	1	7-18023-7	SCR, SKT HD CAP M3 X 4.0	241
-	-	1	-	1	2119580-1	MECHANICAL FEED ASSEMBLY	239
-	1	-	1	-	2844940-1	AIR FEED MODULE	238
-	1	1	1	1	356885-4	STOP, SHEAR	237
-	REF	REF	REF	REF	994970-2	COUNTER, MAGNETIC	164
-	1	1	1	1	2844908-1	SCREW, LOCKING	99
-	1	1	1	1	2844907-1	POST, LOCKING	98
-	1	1	1	1	455888-4	SPACER, CRIMPER -	82
-	1	1	1	1	4-240641-2	SPACER	81
-	1	1	1	1	22278-8	SPRING, COMPRESSION	77
-	1	1	1	1	854769-4	HOLDER, INS	74
-	1	1	1	1	1803607-3	DOCUMENTATION PACKAGE	71
-	1	1	1	1	2119740-1	TAG, IDENTIFICATION	67
-	2	2	2	2	2168078-1	SCREW, DRIVE, RH, RoHS, 2 x .188	66
-	1	1	1	1	2168083-2	SCR, SKT HD CAP, RoHS, M4 X 8.0	60
-	1	1	1	1	5-18022-5	SCR, HEX HD CAP, M4 X 6.0	59
-	1	1	1	1	21028-2	PIN, SLOTTED SPRING .062 X .250	58
-	1	1	1	1	1338683-8	FEED PAWL	56
-	4	4	4	4	2168083-3	SCR, SKT HD CAP, RoHS, M4 X 12.0	54
-	2	2	2	2	2168083-9	SCR, SKT HD CAP, RoHS, M4 X 20	53
-	1	1	1	1	5018030-1	NUT, HEX, REG, RoHS, M3	52
-	1	1	1	1	811242-6	BUMPER, HOLD DOWN	51
-	1	1	1	1	690753-2	SPACER, TONKER	50
-	1	2	1	2	18023-9	SCR, SKT HD CAP M4 X 6.0	49
-	-	1	-	1	2119652-1	FEED CAM, PRE FEED	48
-	-	1	-	1	2119653-1	FEED CAM, POST FEED	47
-	1	1	1	1	1803583-9	APPLICATOR BASIC ASSEMBLY, SF	46
-	1	1	1	1	1803515-1	RAM ASSEMBLY, SF ATLANTIC	44
-	1	1	1	1	1803602-1	SCR, BHSC, RoHS (M8 X 25)	41
-	2	2	2	2	2079383-5	SCR, BHSC, RoHS (M4 X 20)	33
-	2	2	2	2	3-2844962-2	SPACER, CYLINDRICAL, STRIP GUIDE	30
-	1	1	1	1	2844992-1	ASSEMBLY, STRIP GUIDE -	29
-	1	1	1	1	455888-3	SPACER, CRIMPER -	28
-	1	1	1	1	1320928-2	STRIP GUIDE	24
-	1	1	1	1	2168083-2	SCR, SKT HD CAP, RoHS, M4 X 8.0	21
-	2	2	2	2	1-18028-2	WASHER, FLAT, REG M4	20
-	1	1	1	1	2119533-1	STRIPPER, SIDE FEED	19
-	1	1	1	1	690463-1	FLOATING SHEAR, REAR	17
-	2	2	2	2	1-2168083-1	SCR, SKT HD CAP, RoHS, M3 X 6	16
-	1	1	1	1	690464-1	SHEAR PLATE, REAR	15
-	1	1	1	1	2119862-1	SHEAR HOLDER, REAR	14
-	1	1	1	1	2119806-1	INSERT, SHEAR	13
-	2	2	2	2	3-22280-3	SPRING, COMPRESSION	12
-	1	1	1	1	1-356885-4	STOP, SHEAR	11
-	1	1	1	1	2119805-1	SHEAR HOLDER, FRONT -	10
-	1	1	1	1	1803095-6	FLOATING SHEAR, FRONT -	9
-	1	2	2	1	1-1633923-2	ANVIL, COMBINATION	8
-	-	-	-	-	-	-	7
-	1	1	1	1	690468-6	DEPRESSOR SHEAR, REAR	6
-	1	1	1	1	2119780-9	DEPRESSOR, SHEAR	5
-	1	1	1	1	238011-2	BLOCK, CRIMPER SPACER	4
-	1	2	2	1	8-1633961-2	CRIMPER, INSULATION F PREMIUM	3
-	1	1	1	1	455888-4	SPACER, CRIMPER -	2
-	1	2	2	1	2-456408-9	CRIMPER, WIRE PREMIUM	1

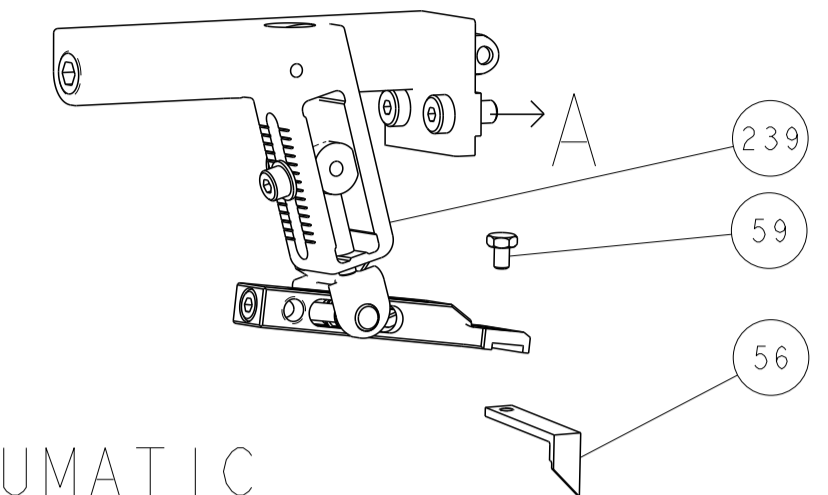
DIMENSIONS:		TOLERANCES UNLESS OTHERWISE SPECIFIED:		MATERIAL:		FINISH:	
mm	0 PLC ±	1 PLC ±	2 PLC ±	3 PLC ±	4 PLC ±	ANGLES ±	FINISH ±
MATERIAL		FINISH		WEIGHT		SCALE	
				A1 00779		C=2266283	

ITEM NO	DESCRIPTION	ITEM NO
-77	-72	-71
-2	-1	PART NO
		DESCRIPTION
		ITEM NO

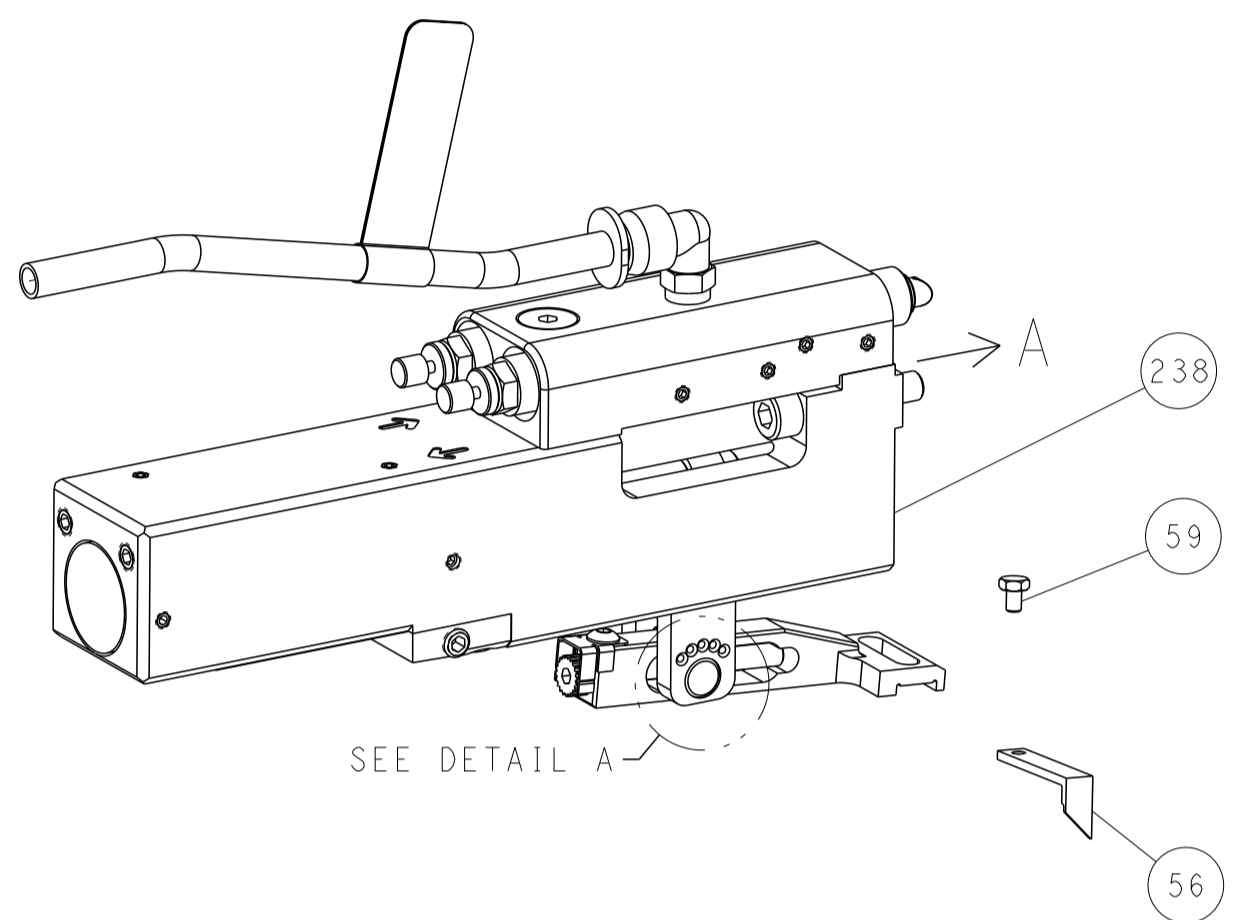
OWN	BOB HIGMAN	23APR2014
CHK	G. BAILEY	23APR2014
APVD	G. BAILEY	23APR2014
NAME	Ocean Side Feed Applicator	
PRODUCT SPEC		
APPLICATION SPEC		
SIZE	CAGE CODE	DRAWING NO
A1	00779	C=2266283
Customer Accessible Production Drawing		
SCALE	1:2	SHEET 1 OF 4
REV	C	

LOC	DIST	REVISIONS					
A	66	P	LYN	DESCRIPTION	DATE	OWN	APVD
		-		SEE SHEET 1	-	-	-

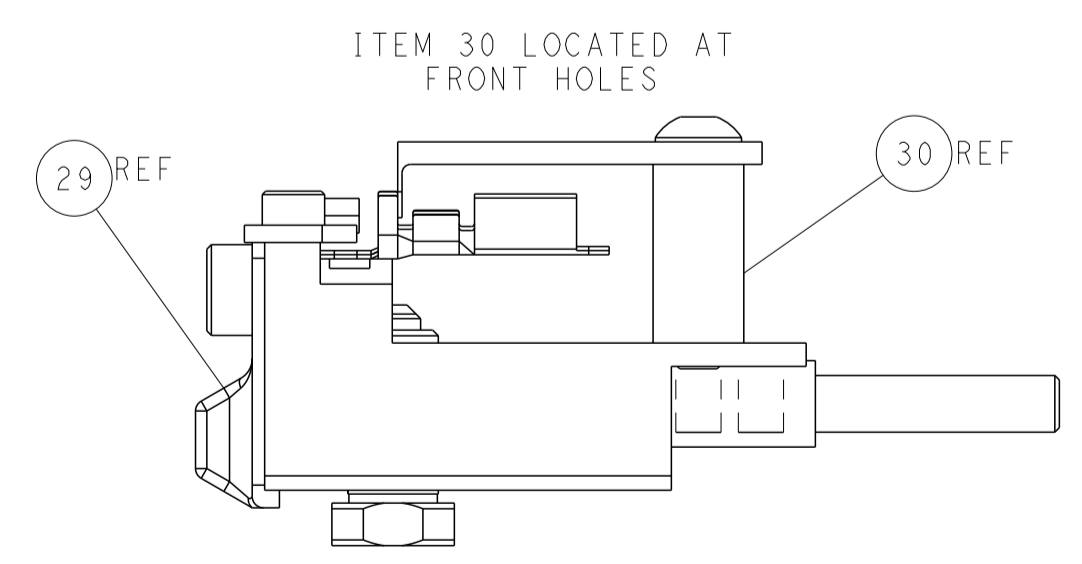
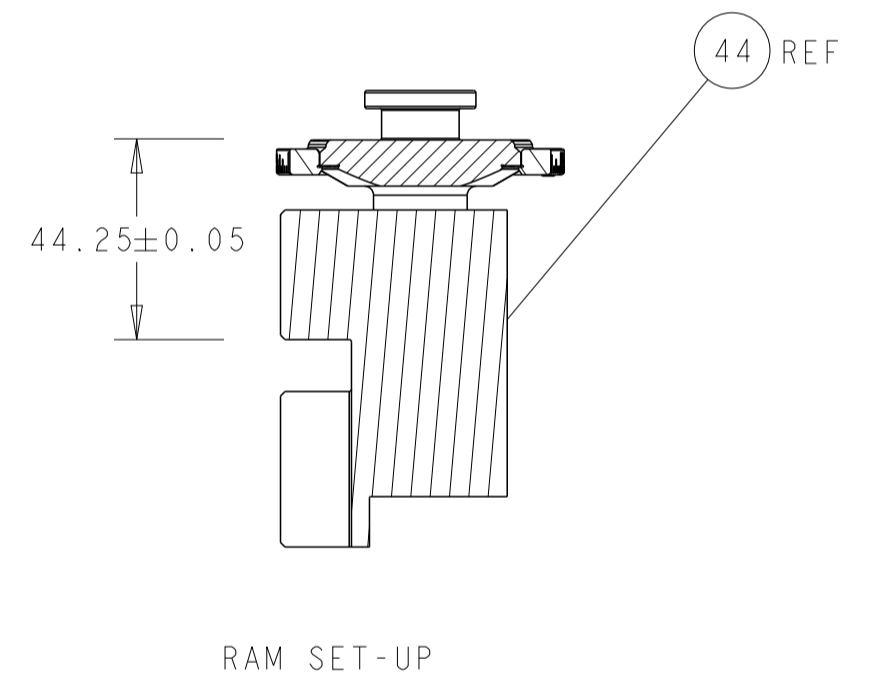
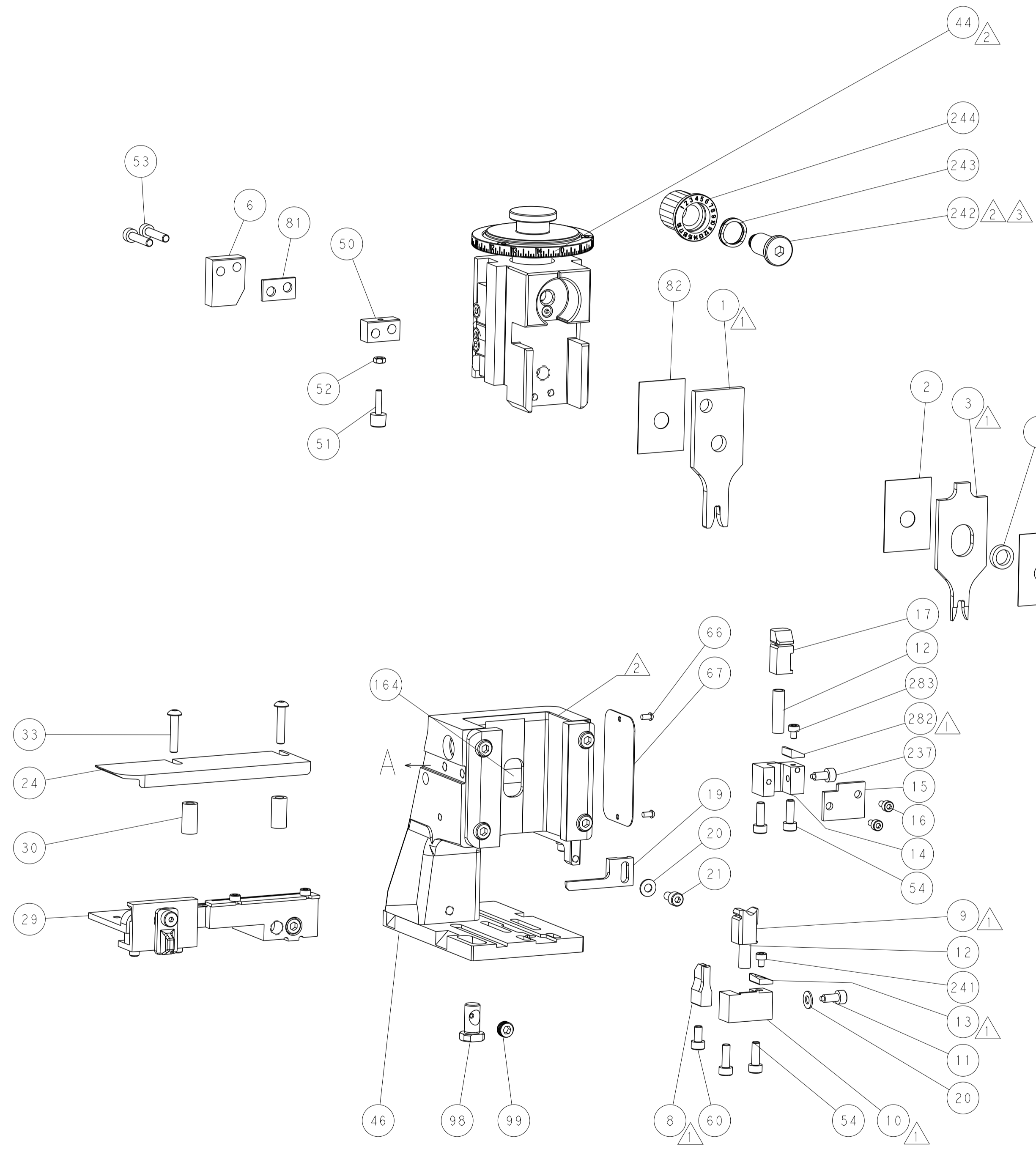
# FEED TYPE MECHANICAL



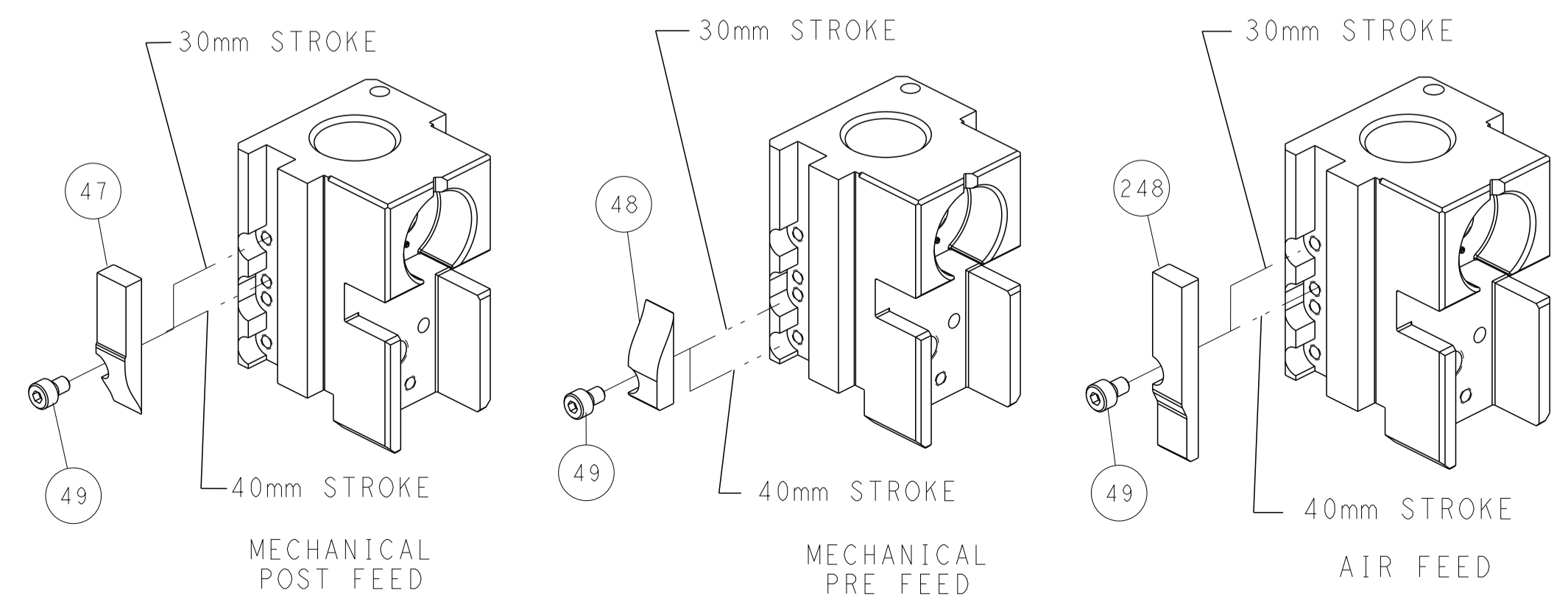
## PNEUMATIC



### FEED SPRING SETTING POSITION (SHOWN FROM REAR SIDE)



## CAM POSITIONS



DIMENSIONS: mm 		TOLERANCES UNLESS OTHERWISE SPECIFIED: 0 PLC ± 1 PLC ± 2 PLC ± 3 PLC ± 4 PLC ± ANGLES ± FINISH		DWN BOB HIGMAN 23APR2014 CHK G. BAILEY 23APR2014 APVD G. BAILEY 23APR2014 PRODUCT SPEC APPLICATION SPEC SIZE CAGE CODE DRAWING NO A1 00779 C=2266283 Customer Accessible Production Drawing		TE Connectivity Harrisburg, PA 17105-3608 NAME Ocean Side Feed Applicator RESTRICTED TO SCALE 1:2 SHEET 2 OF 4 REV C	
-----------------------	--	---	--	--	--	--	--