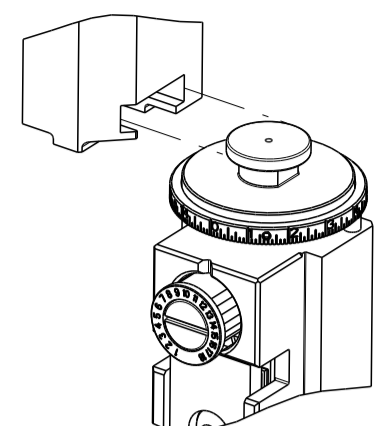


8	7	6	5	4	3	2	1
THIS DRAWING IS UNPUBLISHED.		RELEASED FOR PUBLICATION		20			
COPYRIGHT © BY TYCO ELECTRONICS CORPORATION. ALL RIGHTS RESERVED.							
PART NUMBER	REVISION	DESCRIPTION	FEED TYPE				
2266273-2	K	FINE CRIMP HEIGHT ADJUST	PNEUMATIC				
7-2266273-2	K	PNEUMATIC AND CRIMP TOOLING KIT	PNEUMATIC				
7-2266273-7	A	CRIMP TOOLING KIT	-				

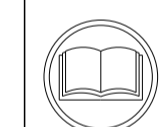
ATLANTIC VERSION TERMINATOR INTERFACE ADAPTER



APPLICATOR DATA		
CRIMP	SIZE	TYPE
WIRE	2.79 mm [.110]	F
INSUL	4.83 mm [.190]	F
APPLICATOR INSTRUCTIONS 408-35042		

TERMINAL DATA: TE TERMINAL		TE CRIMP SPECIFICATION	
TERMINAL NAME: DYNAMIC CONN D-5 SERIES CONTACT S SIZE			
WIRE STRIP LENGTH		INSULATION DIAMETER RANGE	
4.30-5.30 mm [.169-.209 IN]		∅3.00-3.80 mm [.118-.150 IN]	
TERMINAL APPLICATION SPECIFICATION	114-5206		
TERMINALS APPLIED			
TE TERMINAL	TE TERMINAL	TE TERMINAL	TE TERMINAL
179955-2	917802-2	1-917802-6	
179955-3	917802-3	84696-1	
179955-6	1-917802-0	84696-2	

WIRE SIZE	CRIMP HEIGHT mm [INCH]	CRIMP HEIGHT REFERENCE SETTING
14 AWG	2.11+/-0.05 [.083+/-0.002]	5.2
16 AWG	1.90+/-0.05 [.075+/-0.002]	7.1



RECOMMENDED SPARE PARTS

REFER TO SUPPLIED INSTRUCTION SHEET FOR CLEANING, LUBRICATION AND STORAGE OF APPLICATOR.

APPLY PART NUMBER 2-23419-6 LOCTITE TO THREADS OF ITEM 242.

CRIMP HEIGHT REFERENCE SETTING WAS THE SETTING USED WHEN THE APPLICATOR WAS QUALIFIED AT THE FACTORY. ADJUSTMENT MAY BE NECESSARY WHEN RUNNING APPLICATOR IN THE FIELD.

TERMINAL LUBRICANT IS RECOMMENDED.

UNLESS SPECIFIED OTHERWISE TORQUE VALUES SHALL BE USED PER DOCUMENT, 101-35000.

***WARNING**
ON INSTALLATION, SET WIRE DISC TO CRIMP HEIGHT REFERENCE SETTING FOR LARGEST WIRE SIZE. CRIMP HEIGHT REFERENCE SETTINGS GREATER THAN THE VALUE SHOWN MAY CAUSE DAMAGE TO THE CRIMP TOOLING. REFER TO THE INSTRUCTION SHEET FOR PROPER SETUP AND ADJUSTMENTS.

LOC	DIST	REVISIONS					
A	66	P	LTN	DESCRIPTION	DATE	OWN	APVD
		H		ECR-18-006131	22APR2018	TB	JDG
		H1		ECR-18-010072	28JUN2018	KH	LZ
		J		ECR-19-009924	25JUN2019	JAH	CT
		K		ECR-24-197612	17JAN2024	FZ	GB

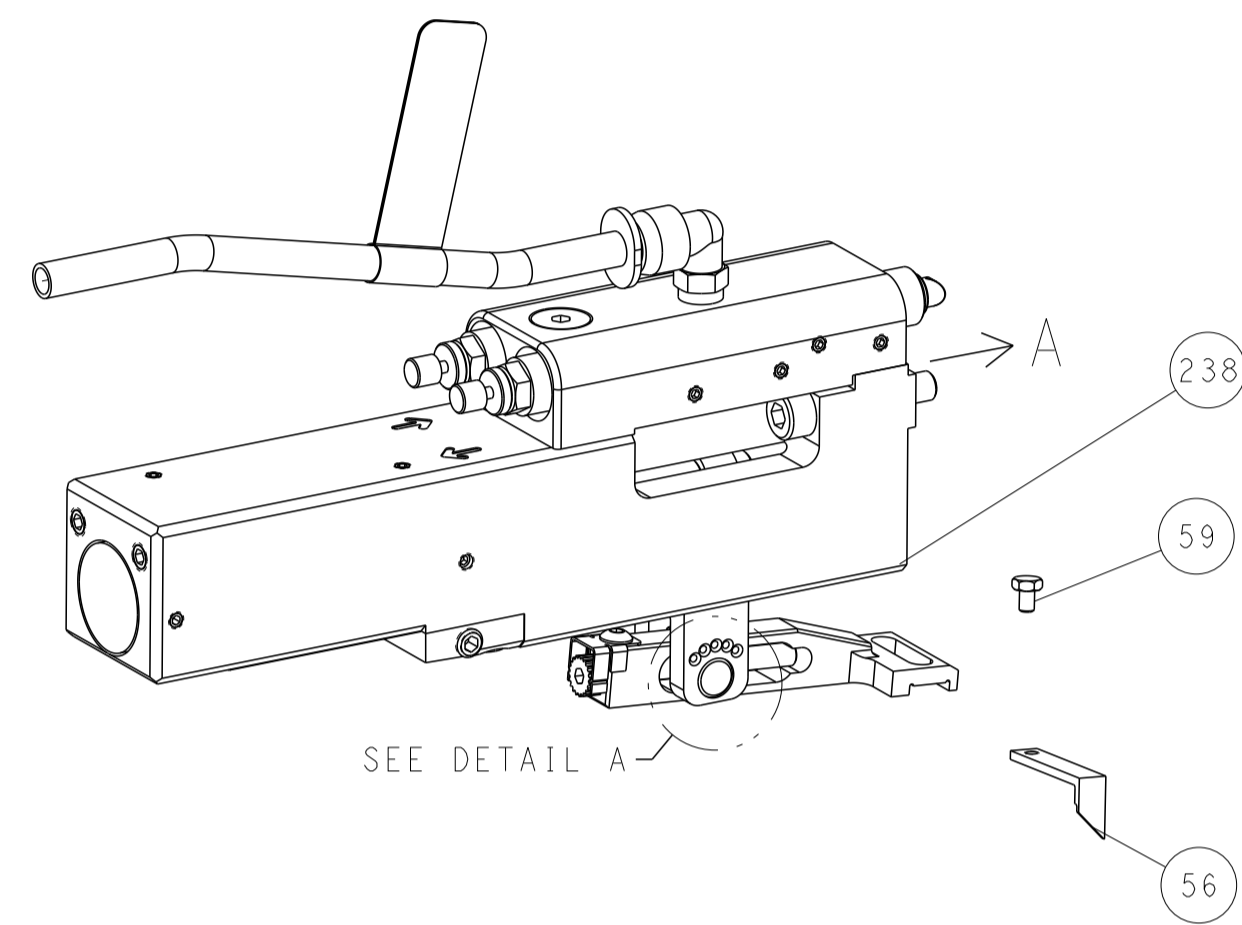
-	2	2	2168083-1	SCR, SKT HD CAP, RoHS, M3 X 8.0	269	
-	1	1	1-1633782-2	FENCE	267	
-	1	1	2119641-1	FEED CAM, AIR FEED	248	
-	1	1	2119082-3	CAM, SNAIL, INSULATION ADJUSTMENT	244	
-	1	1	2079764-1	WASHER, WAVE SPRING, CREST-TO-CREST	243	
3	-	1	1	2119083-1	RETAINER, INSULATION DIAL	242
-	1	1	7-18023-7	SCR, SKT HD CAP M3 X 4.0	241	
-	1	1	2844940-2	AIR FEED MODULE	238	
-	REF	REF	994970-2	COUNTER, MAGNETIC	164	
5	-	1	1	2119955-1	ASSY, LUBRICATOR, SIDE FEED	113
-	1	1	2844908-1	SCREW, LOCKING	99	
-	1	1	2844907-1	POST, LOCKING	98	
-	1	1	1-690438-0	FRONT STRIP GUIDE	96	
-	2	2	2168083-1	SCR, SKT HD CAP, RoHS, M3 X 8.0	95	
-	1	1	318563-1	GUARD, FRONT CHIP	89	
-	1	1	455888-5	SPACER, CRIMPER	82	
-	2	2	2079383-4	SCR, BHSC, RoHS (M4 X 8)	79	
-	1	1	1803096-1	EXTENSION PLATE	78	
-	1	1	1803607-3	DOCUMENTATION PACKAGE	71	
-	1	1	2119791-5	DEPRESSOR, WIRE	70	
-	1	1	2119740-1	TAG IDENTIFICATION	67	
-	2	2	2168078-1	SCREW, DRIVE, RH, RoHS, 2 x .188	66	
-	2	2	2-18032-5	SCR, SET, FLT PNT, M5 X 20.0	61	
-	1	1	2168083-2	SCR, SKT HD CAP, RoHS, M4 X 8.0	60	
-	1	1	5-18022-5	SCR, HEX HD CAP, M4 X 6.0	59	
-	1	1	1338683-8	FEED PAWL	56	
-	4	4	2168083-3	SCR, SKT HD CAP, RoHS, M4 X 12.0	54	
-	2	2	1-2168083-0	SCR, SKT HD CAP, RoHS, M4 X 10	53	
-	1	1	5018030-1	NUT, HEX, REG, RoHS, M3	52	
-	1	1	1-811242-0	BUMPER, HOLD DOWN	51	
-	1	1	690753-2	SPACER, TONKER	50	
-	1	1	18023-9	SCR, SKT HD CAP M4 X 6.0	49	
-	1	1	1803583-9	APPLICATOR BASIC ASSEMBLY, SF	46	
-	1	1	1803515-1	RAM ASSEMBLY, SF ATLANTIC	44	
-	1	1	1803602-1	SCR, BHSC, RoHS (M8 X 25)	41	
-	1	1	1752356-1	SUPPORT, TERMINAL	34	
-	2	2	2079383-5	SCR, BHSC, RoHS (M4 X 20)	33	
-	2	2	2-2844962-0	SPACER, CYLINDRICAL, STRIP GUIDE	30	
-	1	1	2844992-3	ASSEMBLY, STRIP GUIDE	29	
-	2	2	22283-1	SPRING, COMPRESSION	27	
-	1	1	356835-1	LEVER, DRAG RELEASE	26	
-	1	1	240792-1	DRAG, TERMINAL	25	
-	1	1	1320928-6	STRIP GUIDE	24	
-	1	1	980371-4	SCR, SKT HD SHLDR 5.0 DIA X 6.0	23	
-	1	1	2168083-2	SCR, SKT HD CAP, RoHS, M4 X 8.0	21	
-	1	1	1-18028-2	WASHER, FLAT, REG M4	20	
-	1	1	2119533-1	STRIPPER, SIDE FEED	19	
1	-	1	1	2119806-1	INSERT, SHEAR	13
-	1	1	3-22280-3	SPRING, COMPRESSION	12	
-	1	1	1-356885-4	STOP, SHEAR	11	
-	1	1	2119805-1	SHEAR HOLDER, FRONT	10	
1	-	1	1	1803095-3	FLOATING SHEAR, FRONT	9
1	1	2	1	1-1333207-4	ANVIL, COMBINATION .110	8
-	-	-	-	-	7	
-	-	-	-	-	6	
-	1	1	2119757-9	DEPRESSOR, SHEAR	5	
-	1	1	4-238011-0	BLOCK, CRIMPER SPACER	4	
1	1	2	1	1-1803016-2	CRIMPER, INSULATION F	3
-	1	1	1	1-455888-1	SPACER, CRIMPER	2
1	1	2	1	456408-8	CRIMPER, WIRE PREMIUM	1

THIS DRAWING IS UNPUBLISHED. RELEASED FOR PUBLICATION 2024. ALL RIGHTS RESERVED.		OWN	X. ZHAO	08AUG2014	TE Connectivity Harrisburg, PA 17105-3608
DIMENSIONS: mm		CHK	L. ZHANG	08AUG2014	
TOLERANCES UNLESS OTHERWISE SPECIFIED:		APVD	T. ELBIN	08AUG2014	NAME
0 PLC ±		PRODUCT SPEC		Ocean Side Feed Applicator	
1 PLC ±		APPLICATION SPEC		-	
2 PLC ±		SIZE		CAGE CODE	
3 PLC ±		DRAWING NO		RESTRICTED TO	
4 PLC ±		WEIGHT		SCALE	
ANGLES		A1 00779		1:2	
FINISH		C=2266273		SHEET 1 OF 4	
MATERIAL		Customer Accessible Production Drawing		REV K	

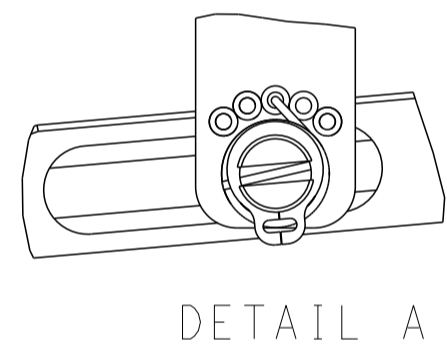
LOC	DIST	REVISIONS					
		P	LTN	DESCRIPTION	DATE	DWN	APVD
A	66	-	-	SEE SHEET 1	-	-	-

FEED TYPE

PNEUMATIC

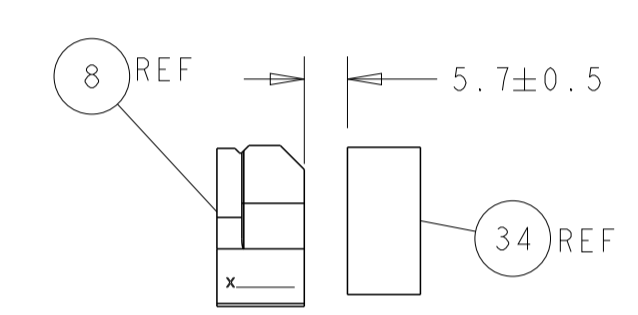
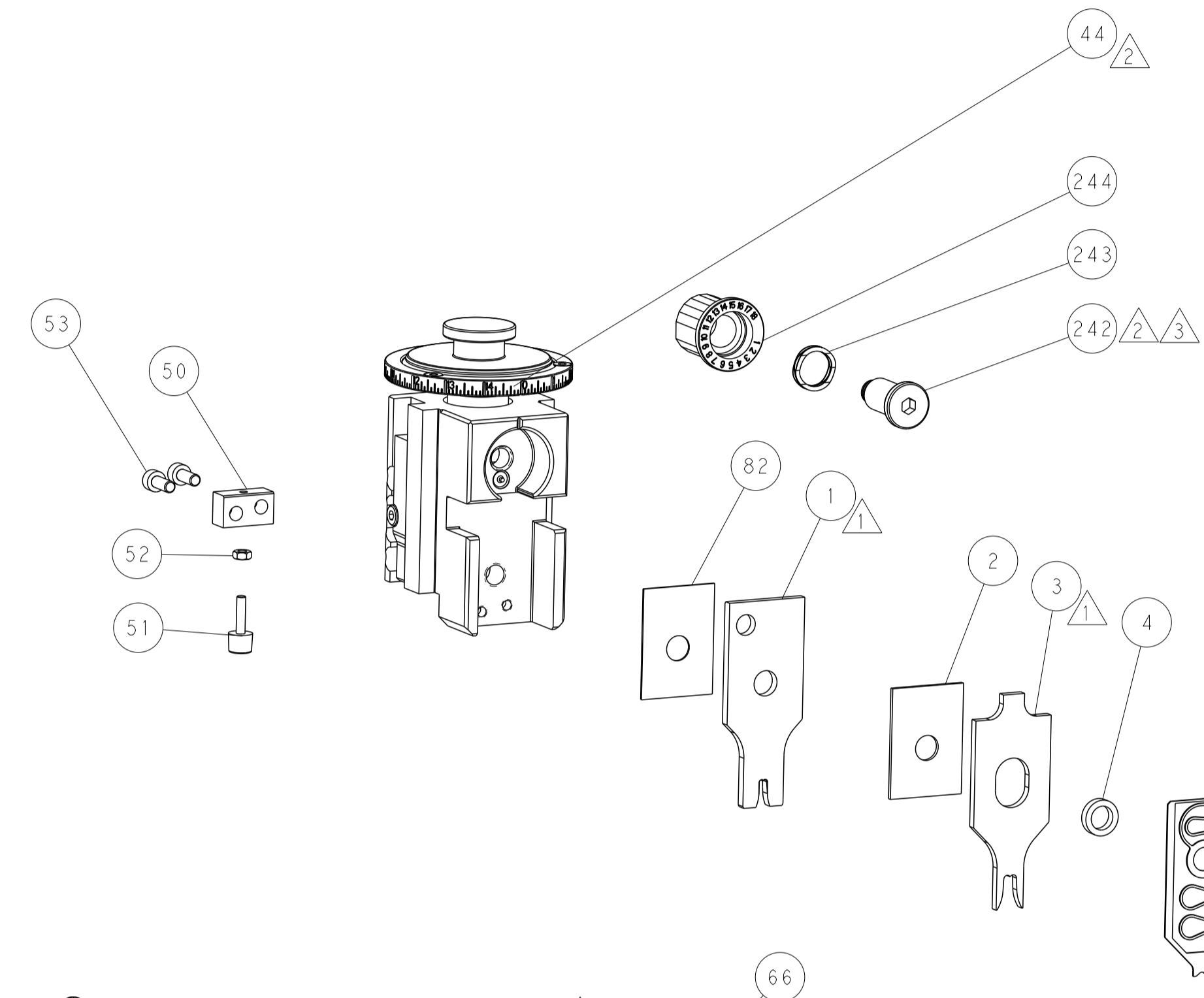
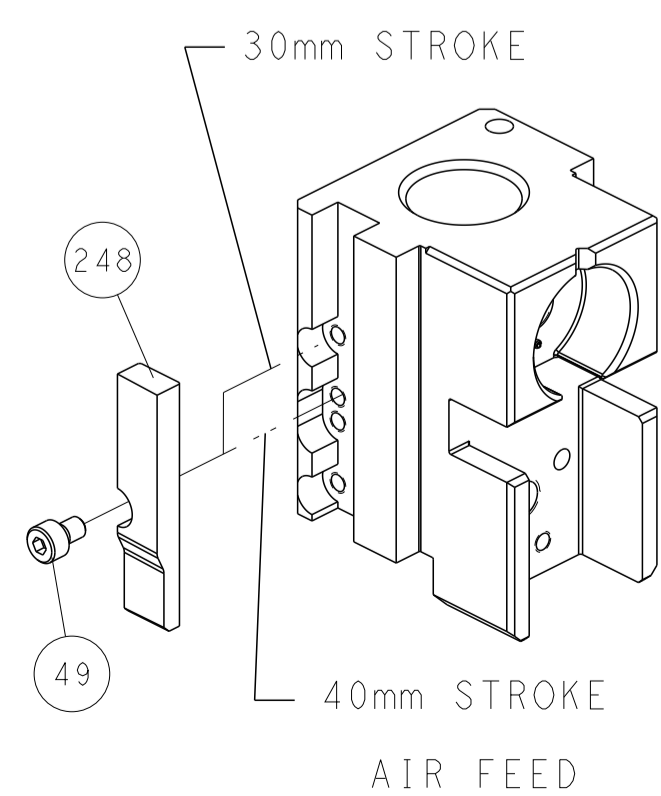


FEED SPRING SETTING POSITION (SHOWN FROM REAR SIDE)

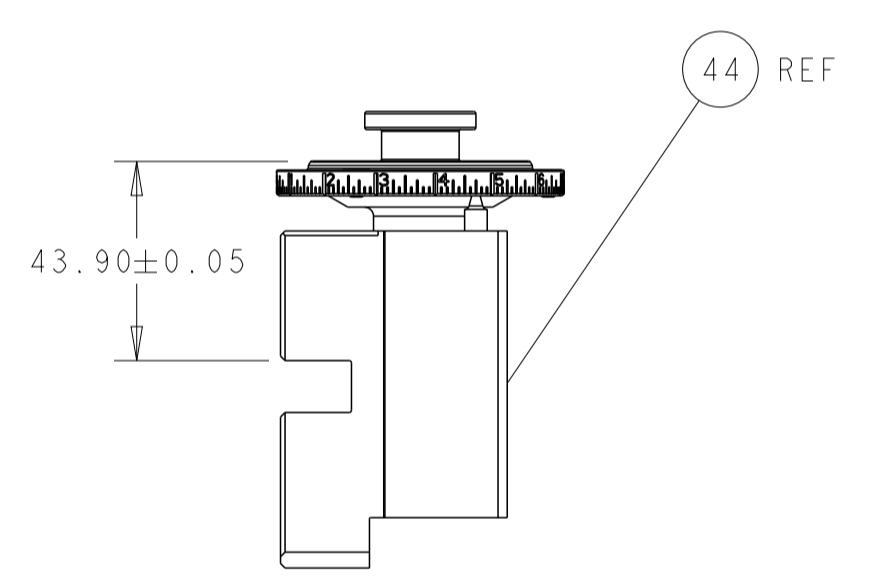


DETAIL A

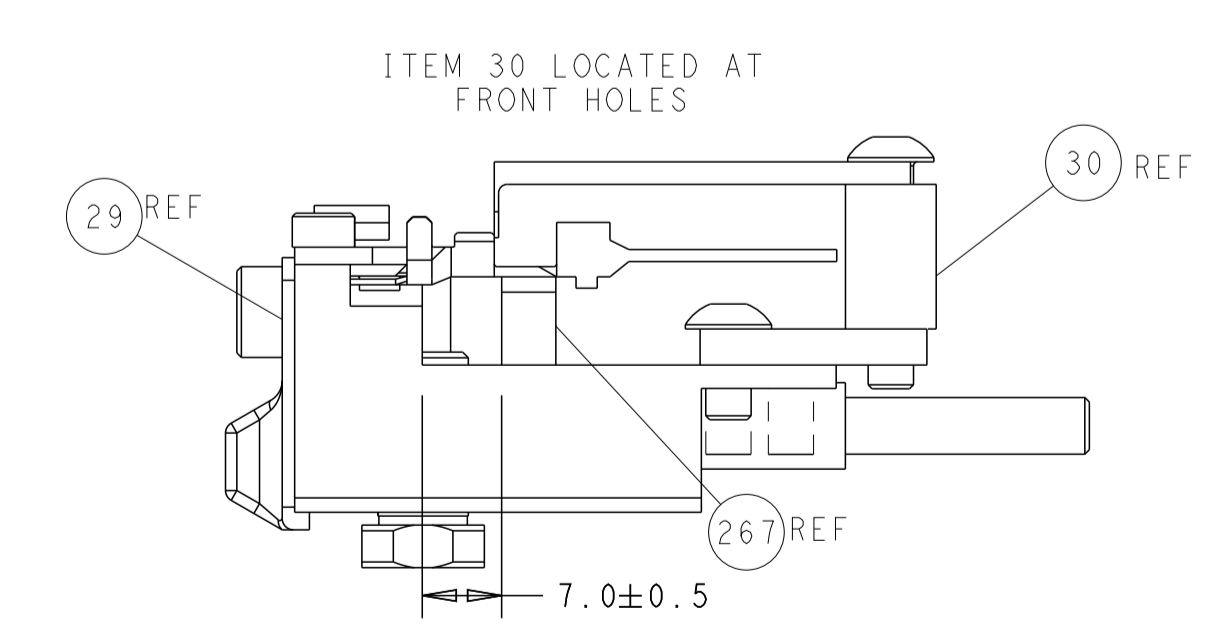
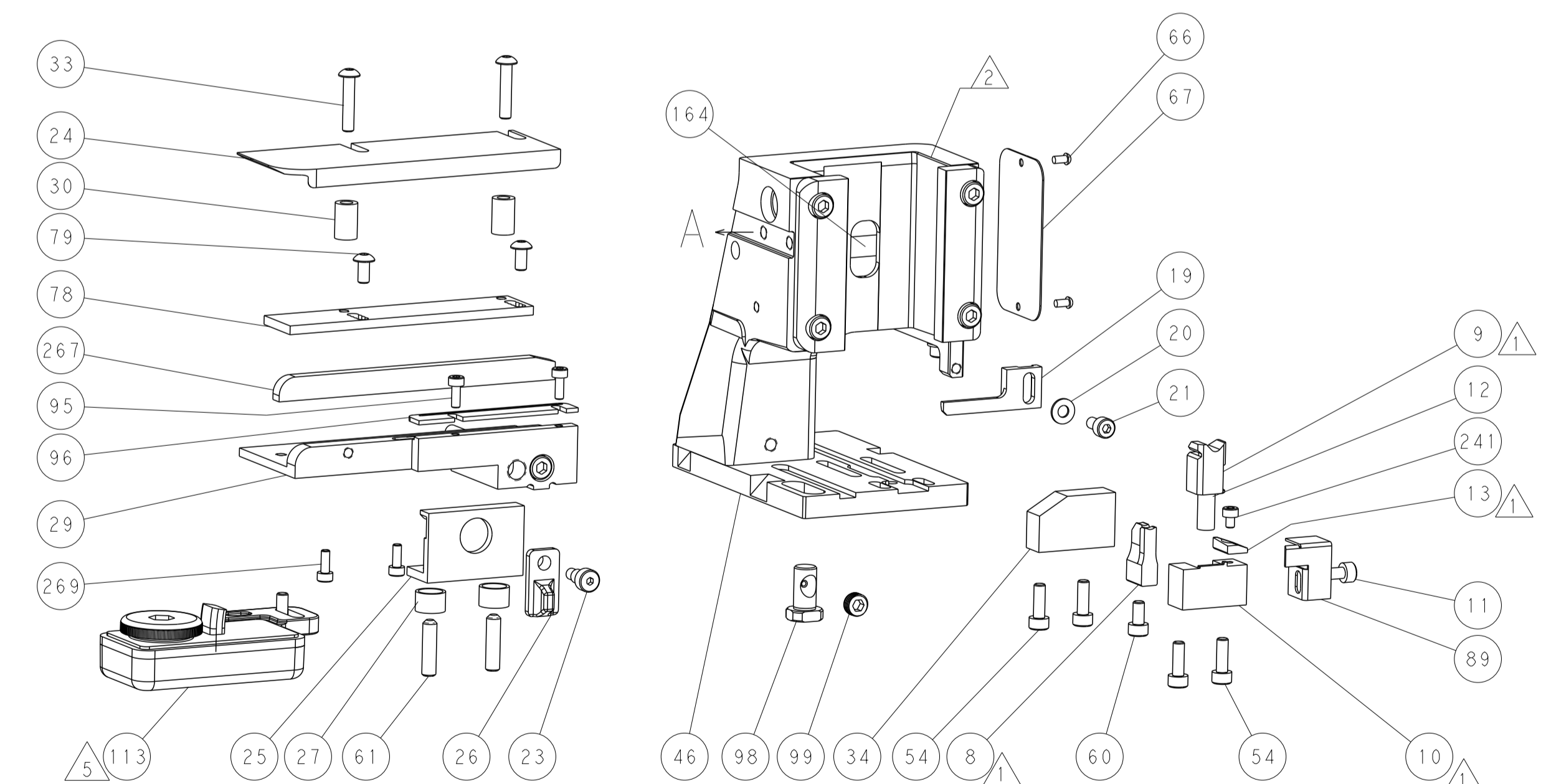
CAM POSITION



TERMINAL SUPPORT LOCATION



RAM SET-UP



FEED TRACK POSITION GUIDE BY WIRE BARREL

DIMENSIONS: mm 		TOLERANCES UNLESS OTHERWISE SPECIFIED: 0 PLC ± 1 PLC ± 2 PLC ± 3 PLC ± 4 PLC ± ANGLES ± FINISH ±		DWN X.ZHAO 08AUG2014 CHK L.ZHANG 08AUG2014 APVD T.ELBIN 08AUG2014 NAME Ocean Side Feed Applicator SIZE CAGE CODE DRAWING NO RESTRICTED TO A1 00779 C=2266273 WEIGHT - SCALE 1:2 SHEET 2 OF 4 REV K	
MATERIAL: - FINISH: -		WEIGHT: - SCALE: 1:2 SHEET: 2 OF 4 REV: K		CUSTOMER ACCESSIBLE PRODUCTION DRAWING	