

PART NUMBER	REVISION	DESCRIPTION	FEED TYPE
2151875-1	B	FINE CRIMP HEIGHT ADJUST	MECHANICAL
2151875-2	B	FINE CRIMP HEIGHT ADJUST	PNEUMATIC
7-2151875-1	B	MECHANICAL AND CRIMP TOOLING KIT	MECHANICAL
7-2151875-2	B	PNEUMATIC AND CRIMP TOOLING KIT	PNEUMATIC
7-2151875-7	A	CRIMP TOOLING KIT	-

ATLANTIC VERSION TERMINATOR INTERFACE ADAPTER



APPLICATOR DATA		
CRIMP	SIZE	TYPE
WIRE	2.54 mm (.100)	F
INSUL	-	-

APPLICATOR INSTRUCTIONS
408-35042

TERMINAL DATA: TE TERMINAL		TE CRIMP SPECIFICATION	
TERMINAL NAME: CONTACT			
WIRE STRIP LENGTH		INSULATION DIAMETER RANGE	
.140-.155 IN [3.56-3.94 mm]		Ø	
TERMINAL APPLICATION SPECIFICATION		NONE	
TERMINALS APPLIED			
TE TERMINAL	TE TERMINAL	TE TERMINAL	TE TERMINAL
62134-2			

WIRE SIZE	CRIMP HEIGHT mm [INCH]	CRIMP HEIGHT REFERENCE SETTING
14 AWG	1.88+/-0.05 [1.074+/-0.002]	6.5
(2) 18 AWG	1.75+/-0.05 [1.069+/-0.002]	7.9
16 AWG	1.65+/-0.05 [1.065+/-0.002]	9.0
18 AWG	1.47+/-0.05 [1.058+/-0.002]	10.8

- RECOMMENDED SPARE PARTS
- REFER TO SUPPLIED INSTRUCTION SHEET FOR CLEANING, LUBRICATION AND STORAGE OF APPLICATOR.
- CRIMP HEIGHT REFERENCE SETTING WAS THE SETTING USED WHEN THE APPLICATOR WAS QUALIFIED AT THE FACTORY. ADJUSTMENT MAY BE NECESSARY WHEN RUNNING APPLICATOR IN THE FIELD.
- UNLESS SPECIFIED OTHERWISE TORQUE VALUES SHALL BE USED PER DOCUMENT, 101-35000.

***WARNING**
ON INSTALLATION, SET WIRE DISC TO CRIMP HEIGHT REFERENCE SETTING FOR LARGEST WIRE SIZE. CRIMP HEIGHT REFERENCE SETTINGS GREATER THAN THE VALUE SHOWN MAY CAUSE DAMAGE TO THE CRIMP TOOLING. REFER TO THE INSTRUCTION SHEET FOR PROPER SETUP AND ADJUSTMENTS.

LOC	DIST	REVISIONS					
		P	LTN	DESCRIPTION	DATE	OWN	APVD
A	66	A		RELEASED	02MAY2013	BH	BH
		B		ECR-19-008890	05JUN2019	TB	CT

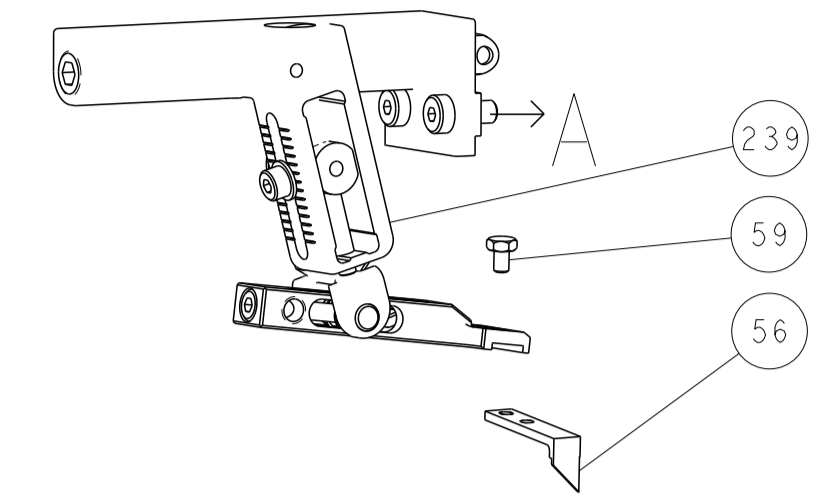
-	1	1	1	1	1803078-3	SPACER, PRECISION	259	
-	1	-	1	-	2119640-1	PUSH ROD, AIR FEED	250	
-	1	-	1	-	1803259-1	BUSHING, FLANGED	249	
-	1	-	1	-	2119641-1	FEED CAM, AIR FEED	248	
-	-	1	-	1	2119580-1	MECHANICAL FEED ASSEMBLY	239	
-	1	-	1	-	2063440-1	AIR FEED MODULE	238	
-	2	-	2	-	21045-3	RING, RETAIN, EXTERN, 3/16 CRESCENT	172	
-	REF	REF	REF	REF	994970-2	COUNTER, MAGNETIC	164	
-	1	-	1	-	240638-1	SPRING, FEED FINGER	163	
-	1	-	1	-	3-23627-7	PIN, RETAIN, GRVD, 3/16 X .854	137	
-	1	-	1	-	2119799-1	HOLDER, FEED FINGER, AF	136	
-	1	1	1	1	2217068-1	BRACKET, AIR BLAST	130	
-	1	1	1	1	2030758-3	TUBING, POLYURETHANE	129	
-	1	1	1	1	5018030-2	NUT, HEX, REG, RoHS, M4	128	
-	1	1	1	1	1-2168083-0	SCR, SKT HD CAP, RoHS, M4 X 10	127	
-	1	1	1	1	986220-2	CLAMP, CABLE, BLACK	126	
-	1	1	1	1	1-22281-8	SPRING, COMPRESSION	121	
-	1	1	1	1	23238-1	INSERT, COUPLING	101	
-	1	1	1	1	2844908-1	SCREW, LOCKING	99	
-	1	1	1	1	2844907-1	POST, LOCKING	98	
-	1	1	1	1	980371-4	SCR, SKT HD SHLDR 5.0 DIA X 6.0	94	
-	1	1	1	1	2168083-6	SCR, SKT HD CAP, RoHS, M5 X 65	93	
-	1	1	1	1	455888-3	SPACER, CRIMPER	82	
-	1	1	1	1	1803607-1	DOCUMENTATION PACKAGE	71	
-	1	1	1	1	2119740-1	TAG IDENTIFICATION	67	
-	2	2	2	2	2168078-1	SCREW, DRIVE, RH, RoHS, 2 x .188	66	
-	2	2	2	2	2-18032-5	SCR, SET, FLT PNT, M5 X 20.0	61	
-	1	1	1	1	2168083-2	SCR, SKT HD CAP, RoHS, M4 X 8.0	60	
-	1	1	1	1	5-18022-5	SCR, HEX HD CAP, M4 X 6.0	59	
-	1	1	1	1	1338683-4	FEED PAWL	56	
-	1	2	1	2	18023-9	SCR, SKT HD CAP M4 X 6.0	49	
-	-	1	-	1	2119652-1	FEED CAM, PRE FEED	48	
-	-	1	-	1	2119653-1	FEED CAM, POST FEED	47	
-	1	1	1	1	1803583-9	APPLICATOR BASIC ASSEMBLY, SF	46	
-	1	1	1	1	1803515-2	RAM ASSEMBLY, SF ATLANTIC	44	
-	1	1	1	1	2168083-8	SCR, SKT HD CAP, RoHS, M4 X 16	43	
-	1	1	1	1	1803602-2	SCR, BHSC, RoHS (M8 X 40)	41	
-	4	4	4	4	2168083-1	SCR, SKT HD CAP, RoHS, M3 X 8.0	33	
-	1	1	1	1	2305692-4	PLATE, REAR STRIP GUIDE	29	
-	2	2	2	2	22283-1	SPRING, COMPRESSION	27	
-	1	1	1	1	356835-1	LEVER, DRAG RELEASE	26	
-	1	1	1	1	240792-1	DRAG, TERMINAL	25	
-	1	1	1	1	2-189124-2	GUIDE, FRONT STRIP	24	
-	1	1	1	1	693855-8	FRONT STRIP GUIDE	23	
-	1	1	1	1	2168083-2	SCR, SKT HD CAP, RoHS, M4 X 8.0	21	
-	6	6	6	6	1-18028-2	WASHER, FLAT, REG M4	20	
-	1	1	1	1	2119533-6	STRIPPER, SIDE FEED	19	
-	1	1	1	1	2063687-3	PLATE, REAR SHEAR	15	
-	-	-	-	-	-	-	10	
-	-	-	-	-	-	-	9	
-	-	-	-	-	-	-	7	
-	-	-	-	-	-	-	6	
-	-	-	-	-	-	-	5	
-	-	-	-	-	-	-	4	
-	1	2	2	1	1	1633338-3	BLADE, SLUG	3
-	-	-	-	-	-	-	2	
-	1	2	2	1	1	2-456407-2	CRIMPER, WIRE PREMIUM	1
-	77	72	71	2	-1	PART NO	DESCRIPTION	ITEM NO

ATLANTIC VERSION
Shown on sheets 1 of 4 & 2 of 4
(Pacific version shown on sheets 3 of 4 & 4 of 4)

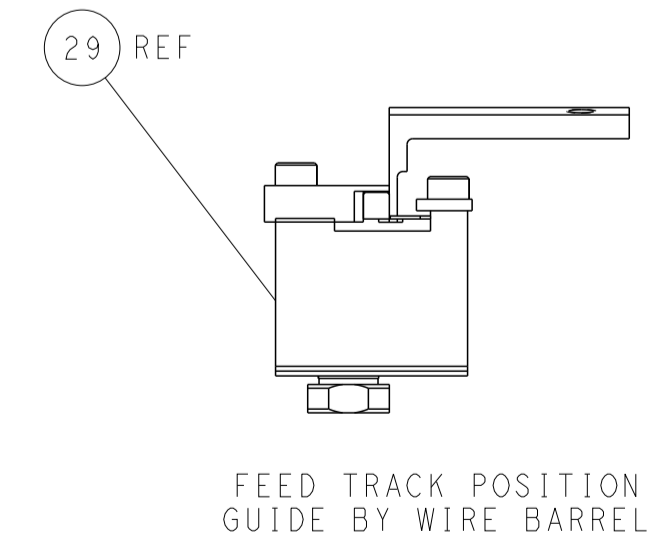
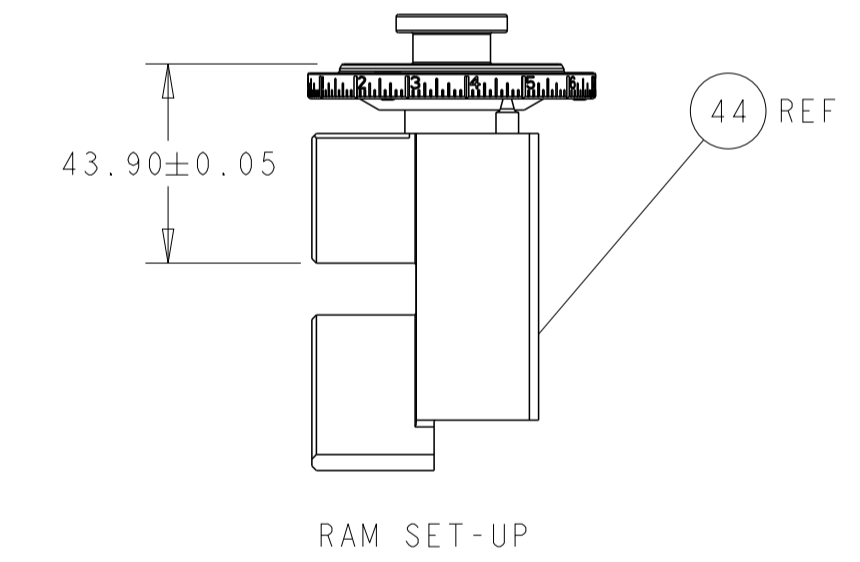
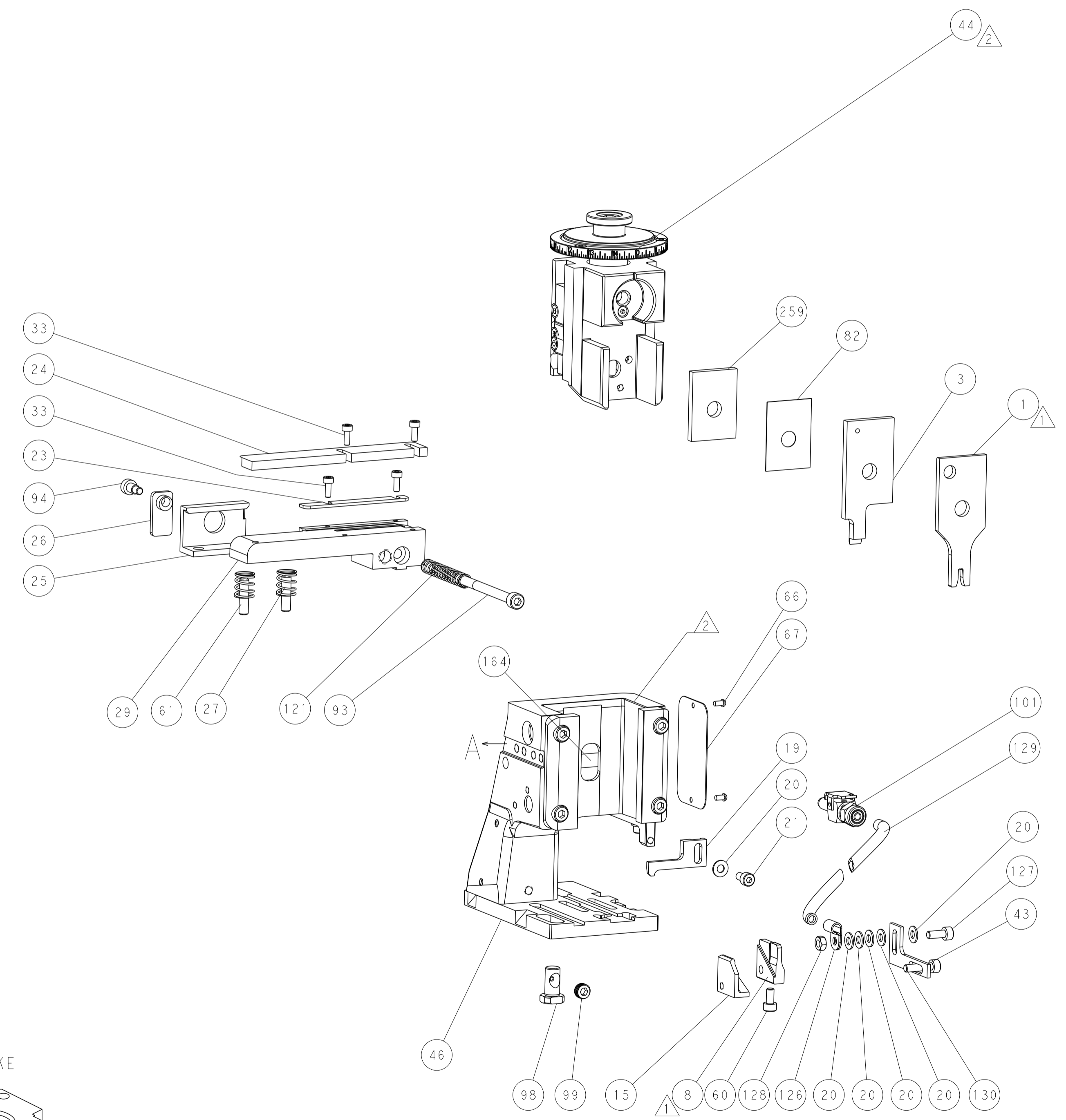
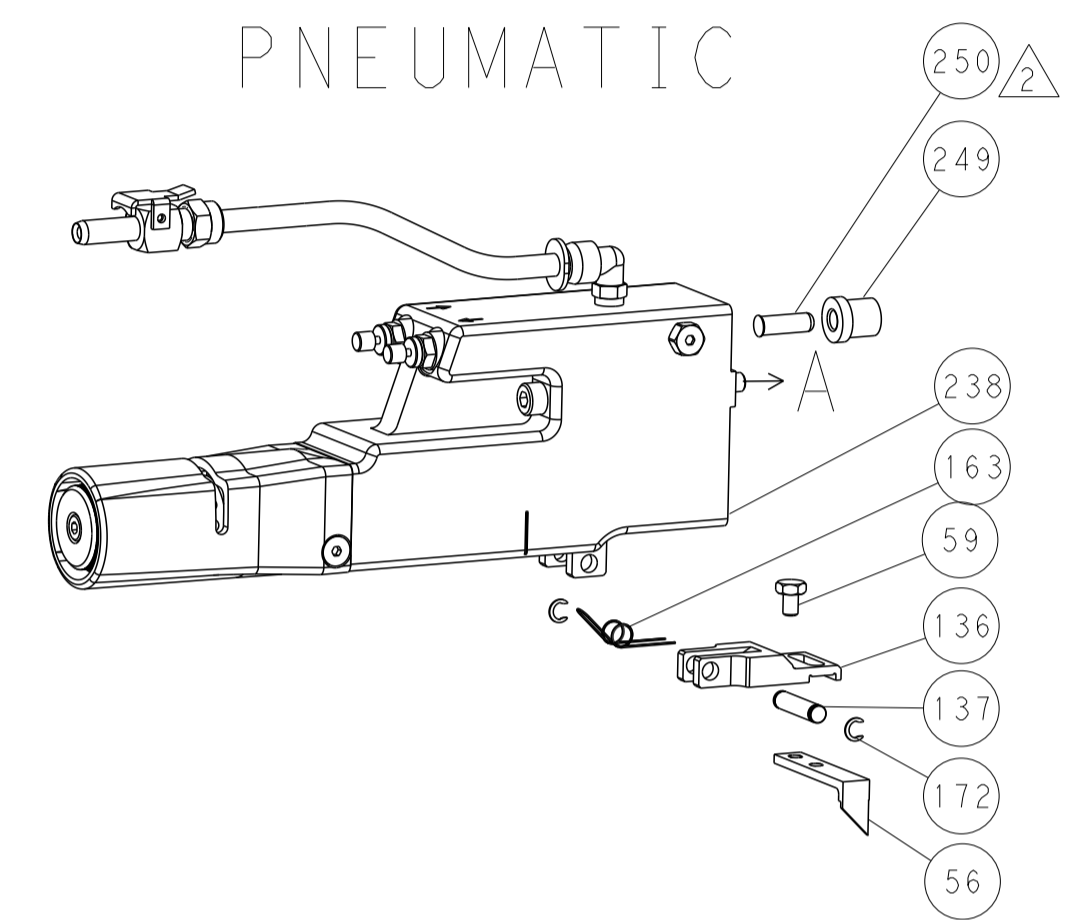
DIMENSIONS:		TOLERANCES UNLESS OTHERWISE SPECIFIED:		APVD		NAME	
mm	0 PLC ±	1 PLC ±	2 PLC ±	3 PLC ±	4 PLC ±	Ocean Side Feed Applicator	
MATERIAL:		FINISH:		WEIGHT:		SCALE	
						1:2	
Customer Accessible Production Drawing				SHEET 1 OF 4		REV B	

LOC	DIST	REVISIONS			
P	LTN	DESCRIPTION	DATE	DWN	APVD
A	66	SEE SHEET 1	-	-	-

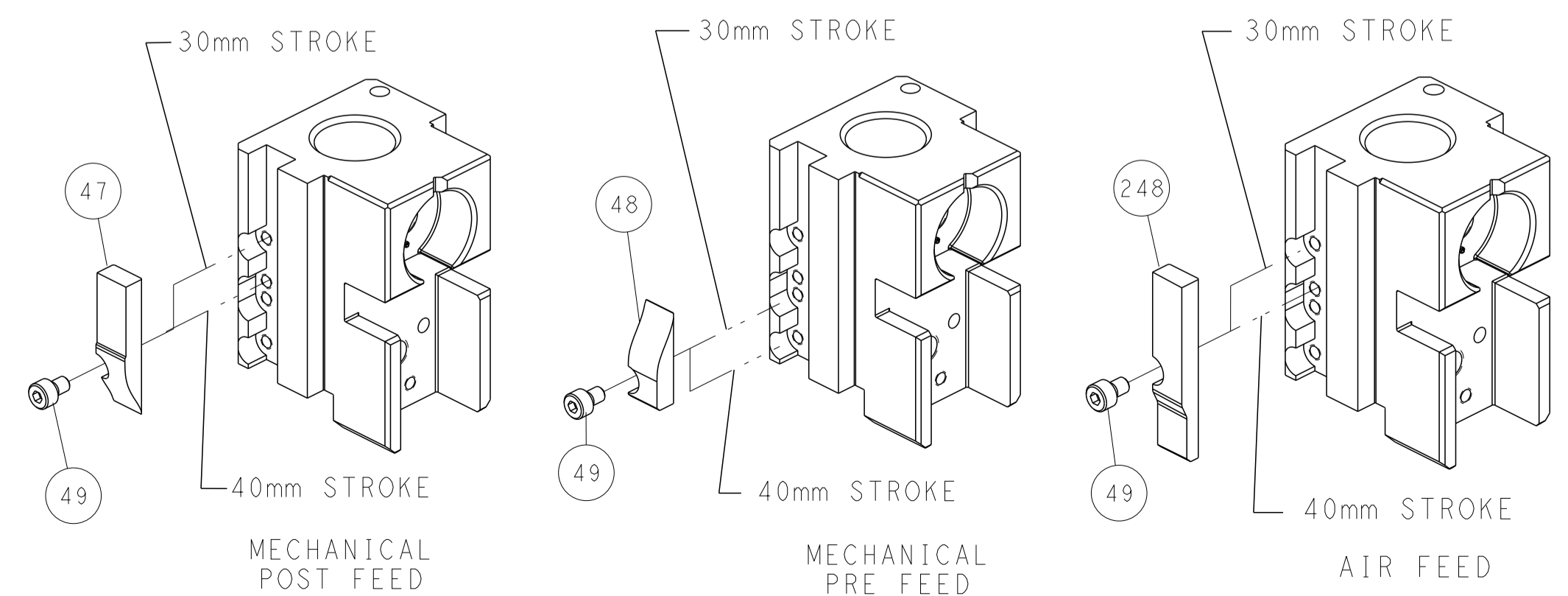
FEED TYPE MECHANICAL



PNEUMATIC



CAM POSITIONS



ATLANTIC VERSION
 Shown on sheets 1 of 4 & 2 of 4
 (Pacific version shown on sheets 3 of 4 & 4 of 4)

DIMENSIONS:		TOLERANCES UNLESS OTHERWISE SPECIFIED:		MATERIAL:		FINISH:		WEIGHT:		SCALE:	
mm	0 PLC ±	1 PLC ±	2 PLC ±	3 PLC ±	4 PLC ±	ANGLES ±					

DWN	BOB HIGMAN	01MAR2013	NAME	Ocean Side Feed Applicator		
CHK	G. BAILEY	01MAR2013	SIZE	CAGE CODE	DRAWING NO	RESTRICTED TO
APVD	M. CLIFFORD	01MAR2013	A1	00779	©=2151875	-
PRODUCT SPEC			Customer Accessible Production Drawing	SCALE	1:2	SHEET 2 OF 4 REV B

PART NUMBER	REVISION	DESCRIPTION	FEED TYPE
2-2151875-1	B	FINE CRIMP HEIGHT ADJUST	MECHANICAL
2-2151875-2	B	FINE CRIMP HEIGHT ADJUST	PNEUMATIC
7-2151875-7	A	CRIMP TOOLING KIT	-

PACIFIC VERSION TERMINATOR
 INTERFACE ADAPTER



APPLICATOR DATA		
CRIMP	SIZE	TYPE
WIRE	2.54 mm [.100]	F
INSUL	-	-

APPLICATOR INSTRUCTIONS
 408-35042

TERMINAL DATA: TE TERMINAL		TE CRIMP SPECIFICATION	
TERMINAL NAME: CONTACT			
WIRE STRIP LENGTH .140-.155 IN [3.56-3.94 mm]		INSULATION DIAMETER RANGE Ø	
TERMINAL APPLICATION SPECIFICATION	NONE	-	-
TERMINALS APPLIED			
TE TERMINAL	TE TERMINAL	TE TERMINAL	TE TERMINAL
62134-2			

WIRE SIZE	CRIMP HEIGHT mm [INCH]	CRIMP HEIGHT REFERENCE SETTING
14 AWG	1.88+/-0.05 [0.074+/-0.002]	6.5
(2) 18 AWG	1.75+/-0.05 [0.069+/-0.002]	7.9
16 AWG	1.65+/-0.05 [0.065+/-0.002]	9.0
18 AWG	1.47+/-0.05 [0.058+/-0.002]	10.8

- RECOMMENDED SPARE PARTS
- REFER TO SUPPLIED INSTRUCTION SHEET FOR CLEANING, LUBRICATION AND STORAGE OF APPLICATOR.
- CRIMP HEIGHT REFERENCE SETTING WAS THE SETTING USED WHEN THE APPLICATOR WAS QUALIFIED AT THE FACTORY. ADJUSTMENT MAY BE NECESSARY WHEN RUNNING APPLICATOR IN THE FIELD.
- UNLESS SPECIFIED OTHERWISE TORQUE VALUES SHALL BE USED PER DOCUMENT, 101-35000.

***WARNING**
 ON INSTALLATION, SET WIRE DISC TO CRIMP HEIGHT REFERENCE SETTING FOR LARGEST WIRE SIZE. CRIMP HEIGHT REFERENCE SETTINGS GREATER THAN THE VALUE SHOWN MAY CAUSE DAMAGE TO THE CRIMP TOOLING. REFER TO THE INSTRUCTION SHEET FOR PROPER SETUP AND ADJUSTMENTS.

LOC	DIST	REVISIONS					
A	66	P	LTN	DESCRIPTION	DATE	OWN	APVD
-	-	-	-	SEE SHEET 1	-	-	-

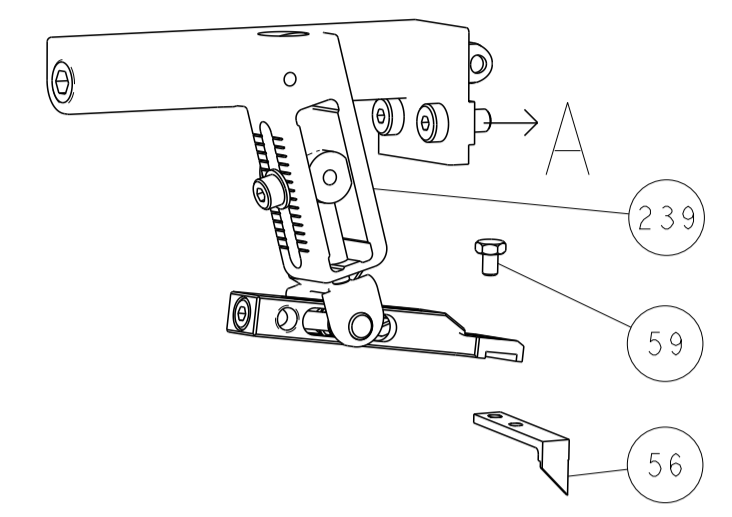
-	1	1	1803078-3	SPACER, PRECISION	259
-	1	-	2119640-1	PUSH ROD, AIR FEED	250
-	1	-	1803259-1	BUSHING, FLANGED	249
-	-	1	2119580-1	MECHANICAL FEED ASSEMBLY	239
-	1	-	2063440-1	AIR FEED MODULE	238
-	2	-	21045-3	RING, RETAIN, EXTERN, 3/16 CRESCENT	172
-	REF	REF	994970-2	COUNTER, MAGNETIC	164
-	1	-	240638-1	SPRING, FEED FINGER	163
-	1	-	2119641-2	FEED CAM, AIR FEED	151
-	1	1	2168083-8	SCR, SKT HD CAP, RoHS, M4 X 16	144
-	-	1	2119653-2	FEED CAM, POST FEED	142
-	1	1	1-1803583-0	APPLICATOR BASIC ASSEMBLY, SF	141
-	1	1	1803516-2	RAM ASSEMBLY, SF PACIFIC	140
-	1	-	3-23627-7	PIN, RETAIN, GRVD, 3/16 X .854	137
-	1	-	2119799-1	HOLDER, FEED FINGER, AF	136
-	1	1	2217068-1	BRACKET, AIR BLAST	130
-	1	1	2030758-3	TUBING, POLYURETHANE	129
-	1	1	5018030-2	NUT, HEX, REG, RoHS, M4	128
-	1	1	1-2168083-0	SCR, SKT HD CAP, RoHS, M4 X 10	127
-	1	1	986220-2	CLAMP, CABLE, BLACK	126
-	1	1	1-22281-8	SPRING, COMPRESSION	121
-	1	1	23238-1	INSERT, COUPLING	101
-	1	1	2844908-1	SCREW, LOCKING	99
-	1	1	2844907-1	POST, LOCKING	98
-	1	1	980371-4	SCR, SKT HD SHLDR 5.0 DIA X 6.0	94
-	1	1	2168083-6	SCR, SKT HD CAP, RoHS, M5 X 65	93
-	1	1	455888-3	SPACER, CRIMPER	82
-	1	1	1803607-1	DOCUMENTATION PACKAGE	71
-	1	1	2119740-1	TAG, IDENTIFICATION	67
-	2	2	2168078-1	SCREW, DRIVE, RH, RoHS, 2 x .188	66
-	2	2	2-18032-5	SCR, SET, FLT PNT, M5 X 20.0	61
-	1	1	5-18022-5	SCR, HEX HD CAP, M4 X 6.0	59
-	1	1	1338683-4	FEED PAWL	56
-	1	2	18023-9	SCR, SKT HD CAP M4 X 6.0	49
-	-	1	2119652-1	FEED CAM, PRE FEED	48
-	1	1	2168083-8	SCR, SKT HD CAP, RoHS, M4 X 16	43
-	1	1	1803602-2	SCR, BHSC, RoHS (M8 X 40)	41
-	4	4	2168083-1	SCR, SKT HD CAP, RoHS, M3 X 8.0	33
-	1	1	2305692-4	PLATE, REAR STRIP GUIDE	29
-	2	2	22283-1	SPRING, COMPRESSION	27
-	1	1	356835-1	LEVER, DRAG RELEASE	26
-	1	1	240792-1	DRAG, TERMINAL	25
-	1	1	2-189124-2	GUIDE, FRONT STRIP	24
-	1	1	693855-8	FRONT STRIP GUIDE	23
-	1	1	2168083-2	SCR, SKT HD CAP, RoHS, M4 X 8.0	21
-	6	6	1-18028-2	WASHER, FLAT, REG M4	20
-	1	1	2119533-6	STRIPPER, SIDE FEED	19
-	1	1	2063687-3	PLATE, REAR SHEAR	15
-	-	-	-	-	10
-	-	-	-	-	9
-	1	1	1803097-1	ANVIL, WIRE	8
-	-	-	-	-	7
-	-	-	-	-	6
-	-	-	-	-	5
-	-	-	-	-	4
-	1	1	1633338-3	BLADE, SLUG	3
-	-	-	-	-	2
-	1	1	2-456407-2	CRIMPER, WIRE PREMIUM	1
-	77	22	21	PART NO	ITEM NO

PACIFIC VERSION
 Shown on sheets 3 of 4 & 4 of 4
 (Atlantic version shown on sheets 1 of 4 & 2 of 4)

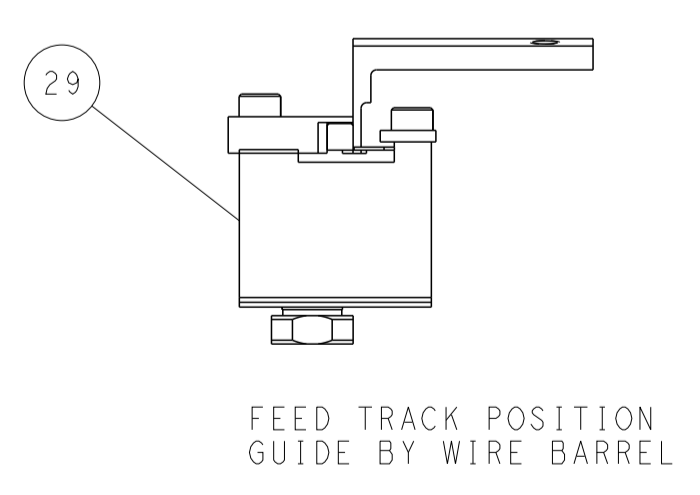
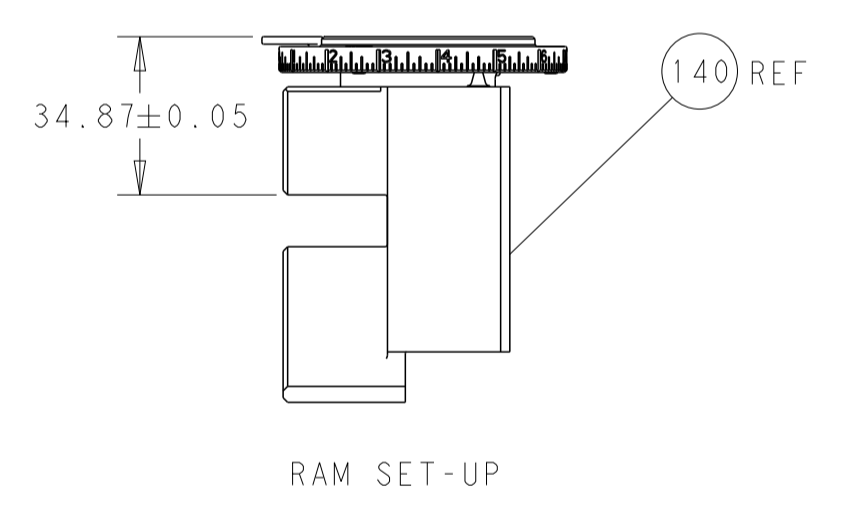
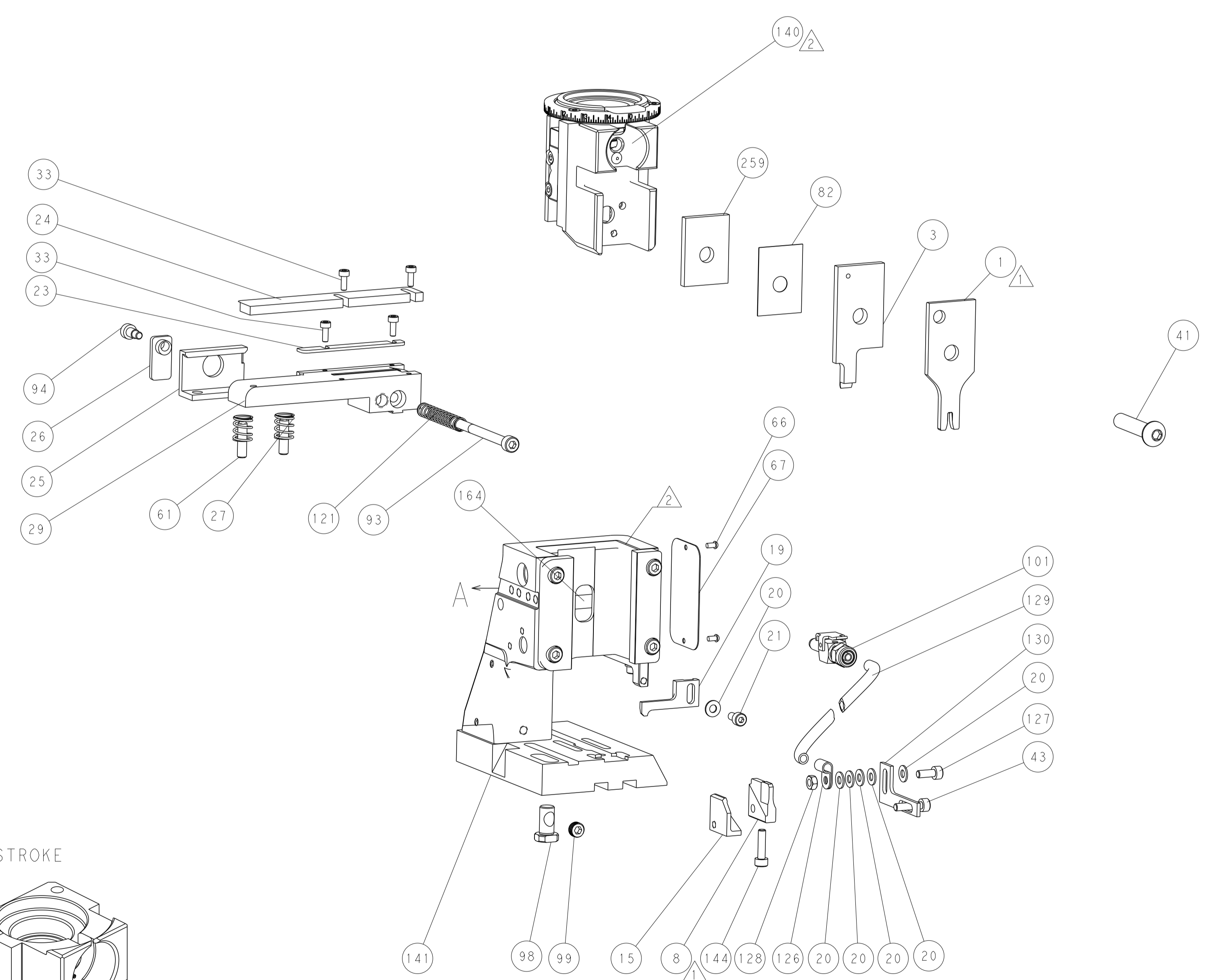
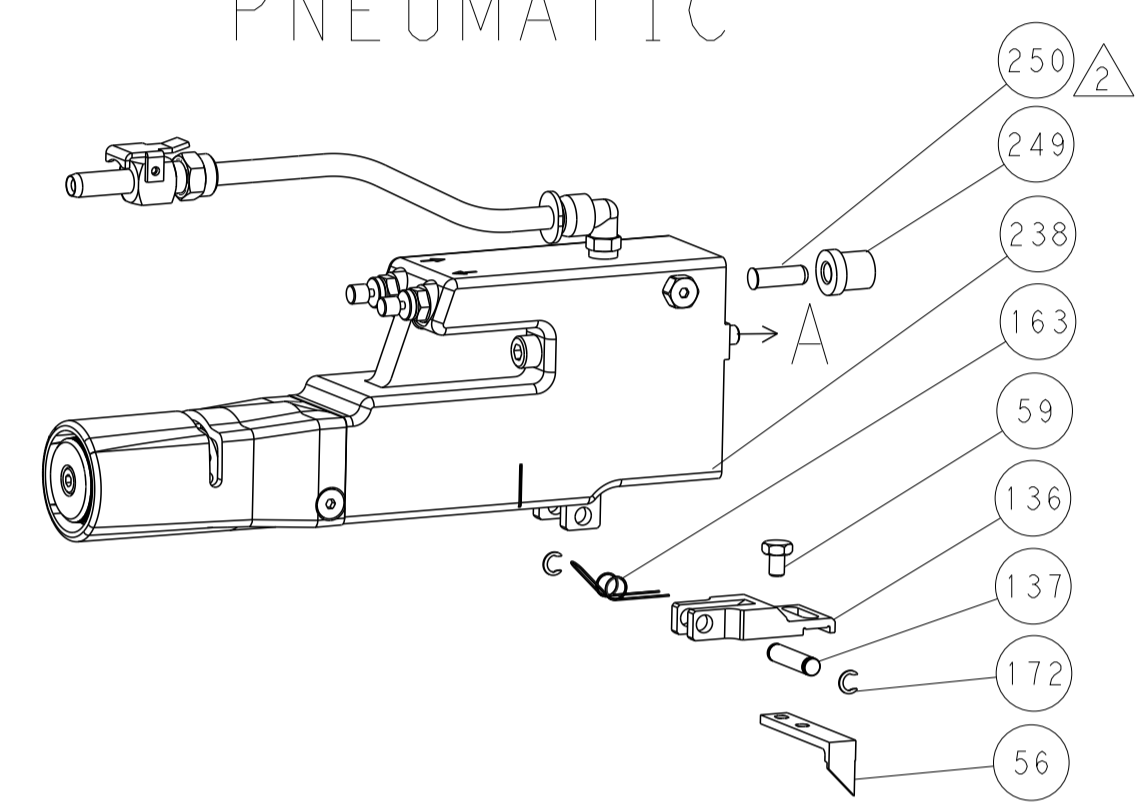
DIMENSIONS: mm 		TOLERANCES UNLESS OTHERWISE SPECIFIED: 0 PLC ± 1 PLC ± 2 PLC ± 3 PLC ± 4 PLC ± ANGLES ± FINISH		DWG: BOB HIGMAN 01MAR2013 CHK: G. BAILEY 01MAR2013 APVD: M. CLIFFORD 01MAR2013 PRODUCT SPEC APPLICATION SPEC WEIGHT: - SCALE: 1:2 SHEET 3 OF 4 REV B		NAME: Ocean Side Feed Applicator SIZE: A1 CAGE CODE: 00779 DRAWING NO: C=2151875 RESTRICTED TO: - Customer Accessible Production Drawing	
-----------------------	--	---	--	--	--	---	--

LOC		DIST		REVISIONS			
A	66	P	LTH	DESCRIPTION	DATE	OWN	APVD
		-		SEE SHEET 1			

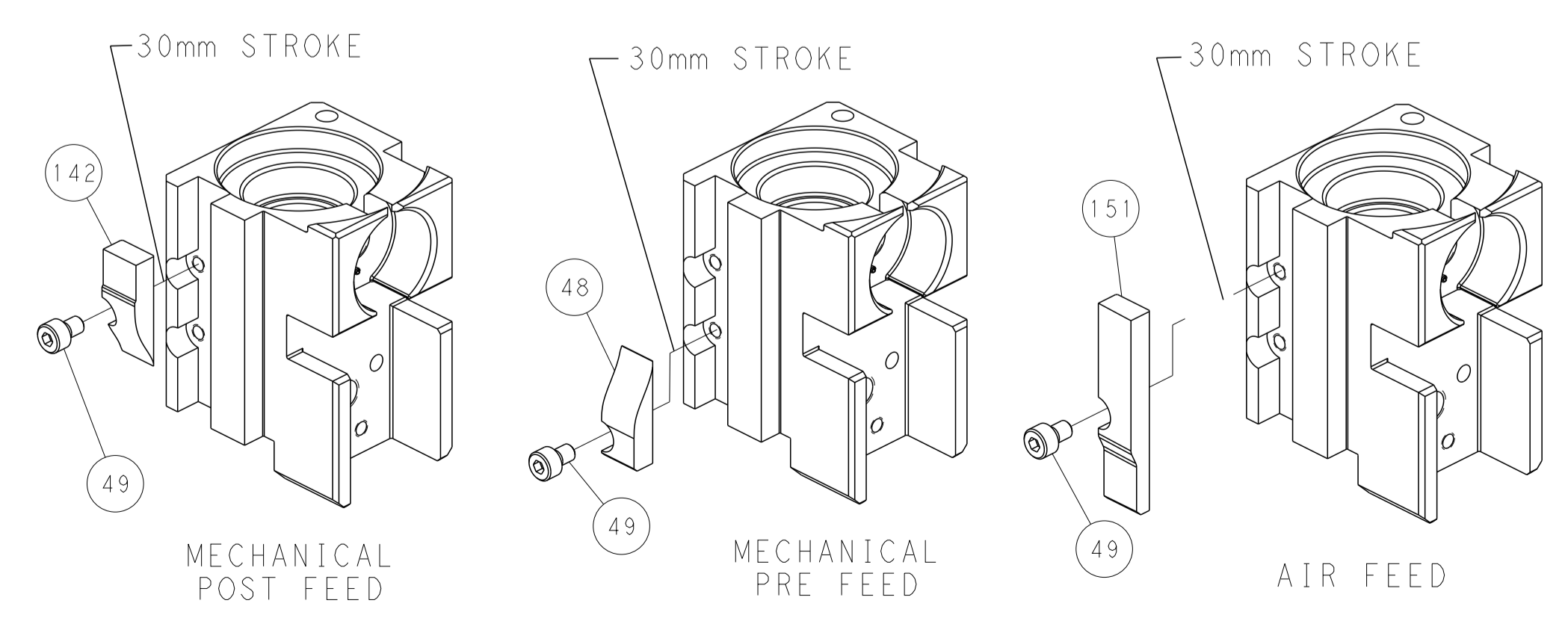
FEED TYPE MECHANICAL



PNEUMATIC



CAM POSITIONS



PACIFIC VERSION
 Shown on sheets 3 of 4 & 4 of 4
 (Atlantic version shown on sheets 1 of 4 & 2 of 4)

DIMENSIONS:		TOLERANCES UNLESS OTHERWISE SPECIFIED:		DWG: BOB HIGMAN 01MAR2013		REV: G. BAILEY 01MAR2013		NAME: M. CLIFFORD 01MAR2013		STE TE Connectivity Harrisburg, PA 17105-3608	
mm	0 PLC	±		0 PLC	±			PRODUCT SPEC		SIZE	CAGE CODE
	1 PLC	±		1 PLC	±			APPLICATION SPEC		A1	00779
	2 PLC	±		2 PLC	±					SCALE	1:2
	3 PLC	±		3 PLC	±					SHEET	4
	4 PLC	±		4 PLC	±					OF	4
	ANGLES	±		ANGLES	±					REV	B
MATERIAL				FINISH				WEIGHT		Customer Accessible Production Drawing	
										©=2151875	