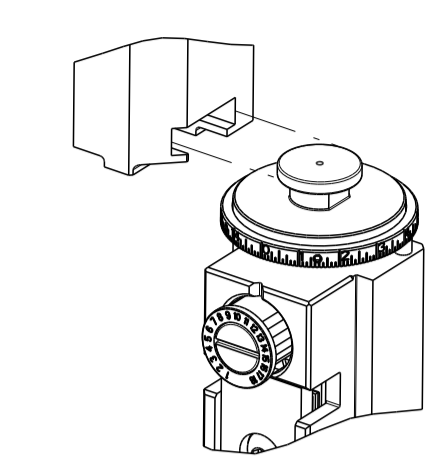


PART NUMBER	REVISION	DESCRIPTION	FEED TYPE
2151463-1	J	FINE CRIMP HEIGHT ADJUST	MECHANICAL
2151463-2	J	FINE CRIMP HEIGHT ADJUST	PNEUMATIC
7-2151463-1	J	MECHANICAL AND CRIMP TOOLING KIT	MECHANICAL
7-2151463-2	J	PNEUMATIC AND CRIMP TOOLING KIT	PNEUMATIC
7-2151463-7	E	CRIMP TOOLING KIT	-

ATLANTIC VERSION TERMINATOR INTERFACE ADAPTER



APPLICATOR DATA		
CRIMP	SIZE	TYPE
WIRE	2.01 mm [.079]	F
INSUL	2.49 mm [.098]	O

APPLICATOR INSTRUCTIONS 408-35042

TERMINAL DATA: FCI TERMINAL FORD CRIMP SPECIFICATION	
TERMINAL NAME: 2.80MM WIRE SNAP ON FEMALE TERMINAL	
WIRE STRIP LENGTH 4.71-4.72 mm [.185-.186 IN]	INSULATION DIAMETER RANGE Ø 1.90 mm [.075 IN] MAX
TERMINAL APPLICATION SPECIFICATION FCI WLBD100 Rev 10.4	FORD Rev A

TERMINAL DATA: FCI TERMINAL FORD CRIMP SPECIFICATION	
TERMINAL NAME: 2.80MM WIRE SNAP ON FEMALE TERMINAL	
WIRE STRIP LENGTH 4.71-4.72 mm [.185-.186 IN]	INSULATION DIAMETER RANGE Ø 1.90 mm [.075 IN] MAX
TERMINAL APPLICATION SPECIFICATION FCI WLBD100 Rev 10.4	FORD Rev A

TE TERMINAL	FCI TERMINAL	TE TERMINAL	INTERLOCK TERMINAL
1572901-1	10757690	1572901-4	JTP 1811-29
1572901-8	54001802	1572901-9	JTP 1811-29G
1-1572901-5	54001839	1572901-3	JTP 1811-66AU
1832575-1	54001803	TE TERMINAL	DAIMLER CHRYSLER
<b>TE TERMINAL</b>	<b>NON-CHRYSLER TERMINAL</b>	<b>1572901-7</b>	<b>04687767</b>
1572901-6	JS-1811-29	1-1572901-1	04707172
1-1572901-0	JS-1811-29G	1-1572901-3	04667819
1-1572901-2	JS-1811-66AU	<b>TE TERMINAL</b>	<b>DELPHI PACKARD</b>
-	-	1-1572901-4	10890230
-	-	1-1572901-6	15512735
-	-	1-1572901-7	54001800

TE TERMINAL	FORD TERMINAL	TE TERMINAL	APTIV TERMINAL
1-1572901-8	8U5T-14474-GA	2-1572901-2	15422510
1-1572901-9	DU5T-14474-JBB	2-1572901-3	33350993
2-1572901-0	NU5T-14474-ADA	2-1572901-4	35589655
2-1832575-1	NU5T-14474-AXA	2-1572901-5	33123737
1572901-5	F8V8-14474-BA	1-1572901-8	15418893

WIRE SIZE	CRIMP HEIGHT mm [INCH]	CRIMP HEIGHT REFERENCE SETTING
1.00mm2	1.40 +/- 0.05 [.055 +/- .002]	7.8
18 AWG	1.35 +/- 0.05 [.053 +/- .002]	8.3
0.75mm2	1.30 +/- 0.05 [.051 +/- .002]	8.9
0.50mm2	1.25 +/- 0.05 [.049 +/- .002]	9.3

**\*WARNING**  
ON INSTALLATION, SET WIRE DISC TO CRIMP HEIGHT REFERENCE SETTING FOR LARGEST WIRE SIZE. CRIMP HEIGHT REFERENCE SETTINGS GREATER THAN THE VALUE SHOWN MAY CAUSE DAMAGE TO THE CRIMP TOOLING, REFER TO THE INSTRUCTION SHEET FOR PROPER SETUP AND ADJUSTMENTS.

- 1 RECOMMENDED SPARE PARTS
  - 2 REFER TO SUPPLIED INSTRUCTION SHEET FOR CLEANING, LUBRICATION AND STORAGE OF APPLICATOR.
  - 3 APPLY PART NUMBER 2-23419-6 LOCTITE TO THREADS OF ITEM 242.
  - 4 CRIMP HEIGHT REFERENCE SETTING WAS THE SETTING USED WHEN THE APPLICATOR WAS QUALIFIED AT THE FACTORY. ADJUSTMENT MAY BE NECESSARY WHEN RUNNING APPLICATOR IN THE FIELD.
  - 5 CUT TO LENGTH AT ASSEMBLY.
  - 6 TERMINAL LUBRICANT IS RECOMMENDED.
7. UNLESS SPECIFIED OTHERWISE TORQUE VALUES SHALL BE USED PER DOCUMENT, 101-35000.

LOC	DIST	REVISIONS					
A	66	P	LTN	DESCRIPTION	DATE	DWN	APVD
		H1		ECR-19-017063	04NOV2019	FZ	RK
		J		ECR-21-111802	27AUG2021	FZ	RK
		J1		ECR-22-151041	31AUG2022	FZ	JAH
		J2		ECR-23-188205	26SEP2023	JWC	TE

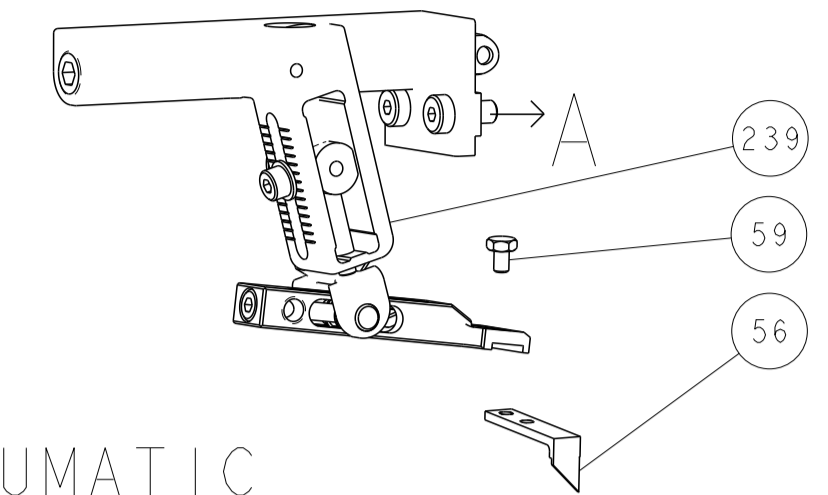
-	1	-	1	-	2119641-1	FEED CAM, AIR FEED	248
-	1	1	1	1	2119082-4	CAM, SNAIL, INSULATION ADJUSTMENT	244
-	1	1	1	1	2079764-1	WASHER, WAVE SPRING, CREST-TO-CREST	243
3	-	1	1	1	2119083-1	RETAINER, INSULATION DIAL	242
-	1	1	1	1	7-18023-7	SCR, SKT HD CAP M3 X 4.0	241
-	-	1	-	1	2119580-1	MECHANICAL FEED ASSEMBLY	239
-	1	-	1	-	2844940-1	AIR FEED MODULE	238
-	REF	REF	REF	REF	994970-2	COUNTER, MAGNETIC	164
6	-	1	1	1	2119955-1	ASSY, LUBRICATOR, SIDE FEED	113
-	1	1	1	1	2844908-1	SCREW, LOCKING	99
-	1	1	1	1	2844907-1	POST, LOCKING	98
-	1	1	1	1	318563-1	GUARD, FRONT CHIP	89
-	1	1	1	1	455888-6	SPACER, CRIMPER	82
-	1	1	1	1	1803607-3	DOCUMENTATION PACKAGE	71
-	1	1	1	1	2119740-1	TAG, IDENTIFICATION	67
-	2	2	2	2	2168078-1	SCREW, DRIVE, RH, RoHS, 2 x .188	66
-	1	1	1	1	2168083-2	SCR, SKT HD CAP, RoHS, M4 X 8.0	60
-	1	1	1	1	5-18022-5	SCR, HEX HD CAP, M4 X 6.0	59
-	1	1	1	1	1338685-1	PAWL, FEED	56
5	-	4	4	4	2168083-3	SCR, SKT HD CAP, RoHS, M4 X 12.0	54
-	2	2	2	2	1-2168083-0	SCR, SKT HD CAP, RoHS, M4 X 10	53
-	1	1	1	1	5018030-1	NUT, HEX, REG, RoHS, M3	52
-	1	1	1	1	811242-5	BUMPER, HOLD DOWN	51
-	1	1	1	1	690753-2	SPACER, TONKER	50
-	1	2	1	2	18023-9	SCR, SKT HD CAP M4 X 6.0	49
-	-	1	-	1	2119652-1	FEED CAM, PRE FEED	48
-	-	1	-	1	2119653-1	FEED CAM, POST FEED	47
-	1	1	1	1	1803583-9	APPLICATOR BASIC ASSEMBLY, SF	46
-	1	1	1	1	1803515-1	RAM ASSEMBLY, SF ATLANTIC	44
-	1	1	1	1	1803602-1	SCR, BHSC, RoHS (M8 X 25)	41
-	1	1	1	1	1752356-3	SUPPORT, TERMINAL	34
-	2	2	2	2	2079383-5	SCR, BHSC, RoHS (M4 X 20)	33
-	2	2	2	2	2-2844962-3	SPACER, CYLINDRICAL, STRIP GUIDE	30
-	1	1	1	1	2844992-2	ASSEMBLY, STRIP GUIDE	29
-	1	1	1	1	455888-3	SPACER, CRIMPER	28
-	1	1	1	1	1320928-2	STRIP GUIDE	24
-	1	1	1	1	2168083-2	SCR, SKT HD CAP, RoHS, M4 X 8.0	21
-	1	1	1	1	1-18028-2	WASHER, FLAT, REG M4	20
-	1	1	1	1	2119533-1	STRIPPER, SIDE FEED	19
1	-	1	1	1	2119806-1	INSERT, SHEAR	13
-	1	1	1	1	3-22280-3	SPRING, COMPRESSION	12
-	1	1	1	1	1-356885-3	STOP, SHEAR	11
1	-	1	1	1	2119805-1	SHEAR HOLDER, FRONT	10
1	-	1	1	1	1803095-6	FLOATING SHEAR, FRONT	9
1	1	2	2	1	1633932-4	ANVIL, COMBINATION	8
-	-	-	-	-	-	-	7
-	-	-	-	-	-	-	6
-	1	1	1	1	2119757-8	DEPRESSOR, SHEAR	5
-	1	1	1	1	2-238011-1	BLOCK, CRIMPER SPACER	4
1	1	2	2	1	1-1803018-1	CRIMPER, INSULATION O	3
-	1	1	1	1	455888-4	SPACER, CRIMPER	2
1	1	2	2	1	3-1633305-2	CRIMPER, WIRE PREMIUM	1

ATLANTIC VERSION  
Shown on sheets 1 of 4 & 2 of 4  
(Pacific version shown on sheets 3 of 4 & 4 of 4)

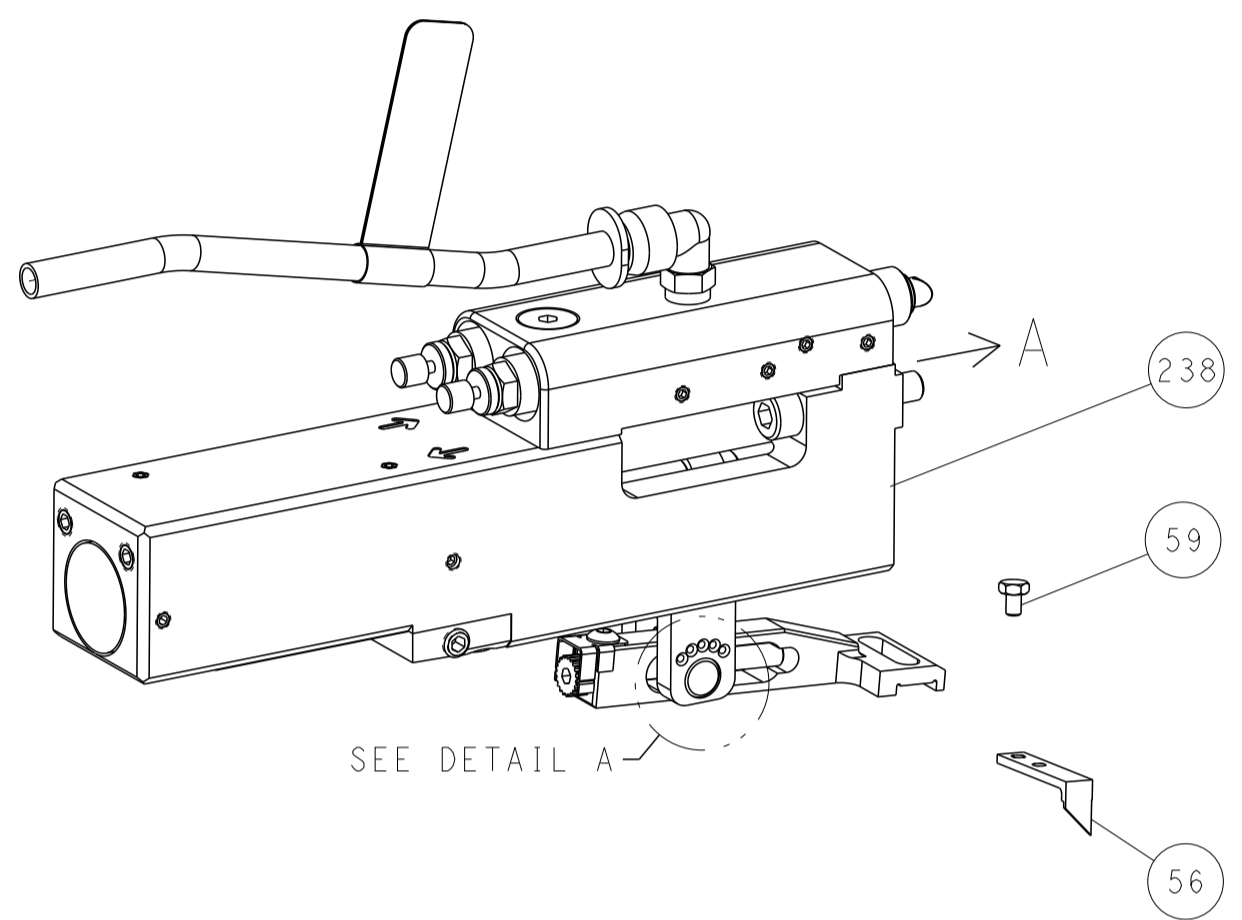
DIMENSIONS:		TOLERANCES UNLESS OTHERWISE SPECIFIED:		MATERIAL:		FINISH:		WEIGHT:		SCALE:		SHEET:		REV:	
mm	0 PLC ±	1 PLC ±	2 PLC ±	3 PLC ±	4 PLC ±	ANGLES	FINISH			A1	00779	2151463	1	4	J2

LOC		DIST		REVISIONS			
A	66	P	LTN	DESCRIPTION	DATE	OWN	APVD
-	-	-	-	SEE SHEET 1	-	-	-

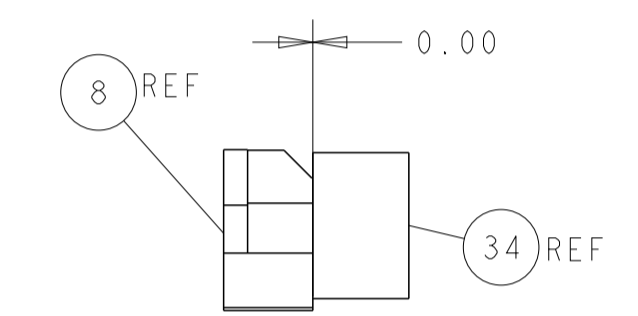
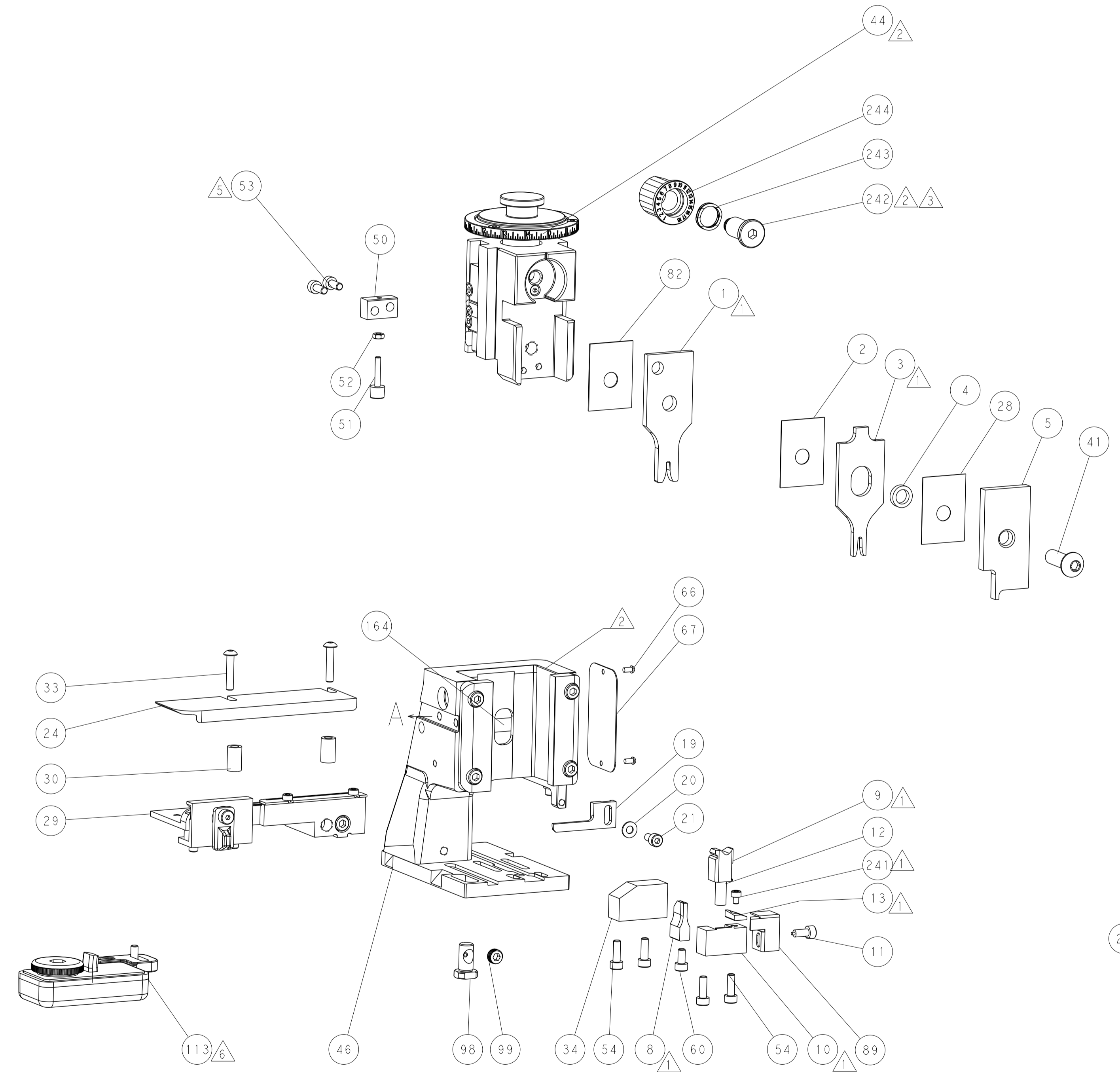
# FEED TYPE MECHANICAL



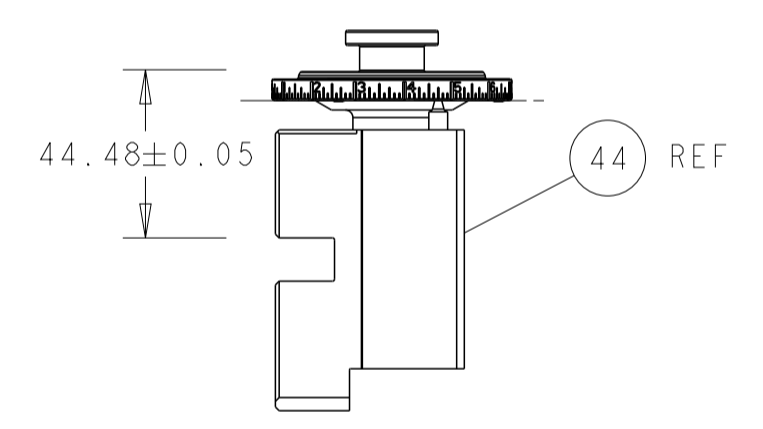
## PNEUMATIC



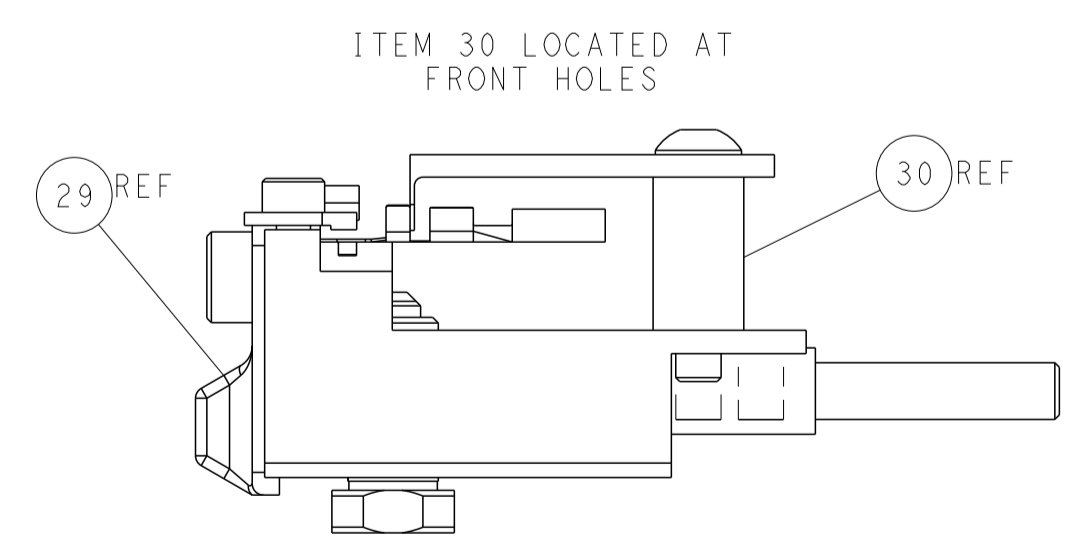
## FEED SPRING SETTING POSITION (SHOWN FROM REAR SIDE)



TERMINAL SUPPORT LOCATION

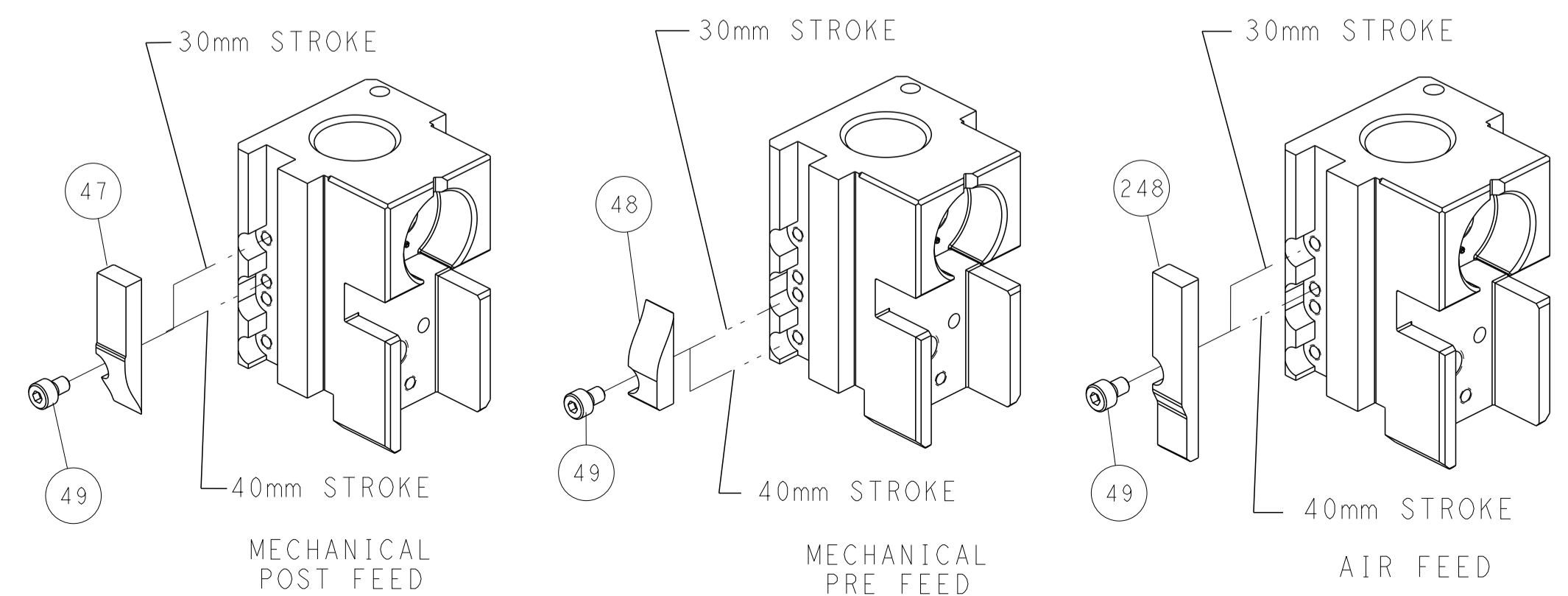


RAM SET-UP



ITEM 30 LOCATED AT FRONT HOLES

# CAM POSITIONS

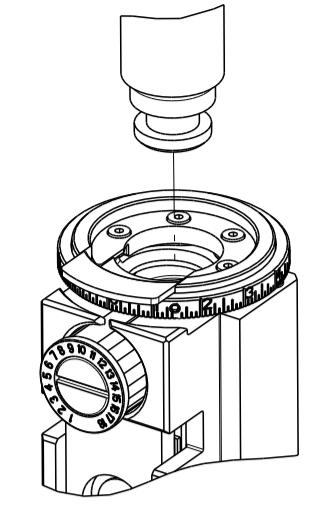


**ATLANTIC VERSION**  
 Shown on sheets 1 of 4 & 2 of 4  
 (Pacific version shown on sheets 3 of 4 & 4 of 4)

DIMENSIONS:		TOLERANCES UNLESS OTHERWISE SPECIFIED:		DRAWN: BOB HIGMAN 08MAR2012		TE Connectivity	
mm	0 PLC ±	1 PLC ±	2 PLC ±	3 PLC ±	4 PLC ±	Harrisburg, PA 17105-3608	
MATERIAL:		FINISH:		APVD: M. CLIFFORD 08MAR2012		NAME: Ocean Side Feed Applicator	
Customer Accessible Production Drawing		SCALE: 1:2		SHEET 2 OF 4		REV J2	

THIS DRAWING IS UNPUBLISHED.	RELEASED FOR PUBLICATION		
COPYRIGHT 20 BY TYCO ELECTRONICS CORPORATION. ALL RIGHTS RESERVED.			
PART NUMBER	REVISION	DESCRIPTION	FEED TYPE
2-2151463-1	J	FINE CRIMP HEIGHT ADJUST	MECHANICAL
2-2151463-2	J	FINE CRIMP HEIGHT ADJUST	PNEUMATIC
7-2151463-7	E	CRIMP TOOLING KIT	-

PACIFIC VERSION TERMINATOR  
INTERFACE ADAPTER



APPLICATOR DATA		
CRIMP	SIZE	TYPE
WIRE	2.01 mm [.079]	F
INSUL	2.49 mm [.098]	O
APPLICATOR INSTRUCTIONS 408-35042		

TERMINAL DATA: FCI TERMINAL		FORD CRIMP SPECIFICATION	
TERMINAL NAME: 2.80MM WIRE SNAP ON FEMALE TERMINAL			
WIRE STRIP LENGTH		INSULATION DIAMETER RANGE	
4.71-4.72 mm [.185-.186 IN]		∅ 1.90 mm [.075 IN] MAX	
TERMINAL APPLICATION SPECIFICATION	FORD Rev A	-	-
FCI WLBD100 Rev 10.4	-	-	-
TERMINALS APPLIED			
TE TERMINAL	FCI TERMINAL	TE TERMINAL	INTERLOCK TERMINAL
1572901-1	10757690	1572901-4	JTP 1811-29
1572901-8	54001802	1572901-9	JTP 1811-29G
1-1572901-5	54001839	1572901-3	JTP 1811-66AU
1832575-1	54001803	TE TERMINAL	DAIMLER CHRYSLER
TE TERMINAL	NON-CHRYSLER TERMINAL	1572901-7	04687767
1572901-6	JS-1811-29	1-1572901-1	04707172
1-1572901-0	JS-1811-29G	1-1572901-3	04667819
1-1572901-2	JS-1811-66AU	TE TERMINAL	DELPHI PACKARD
-	-	1-1572901-4	10890230
-	-	1-1572901-6	15512735
-	-	1-1572901-7	54001800

TERMINAL DATA: FCI TERMINAL		FORD CRIMP SPECIFICATION	
TERMINAL NAME: 2.80MM WIRE SNAP ON FEMALE TERMINAL			
WIRE STRIP LENGTH		INSULATION DIAMETER RANGE	
4.71-4.72 mm [.185-.186 IN]		∅ 1.90 mm [.075 IN] MAX	
TERMINAL APPLICATION SPECIFICATION	FORD Rev A	-	-
FCI WLBD100 Rev 10.4	-	-	-
TERMINALS APPLIED			
TE TERMINAL	FORD TERMINAL	TE TERMINAL	APTIV TERMINAL
1-1572901-8	8U5T-14474-GA	2-1572901-2	15422510
1-1572901-9	DU5T-14474-JBB	2-1572901-3	33350993
2-1572901-0	NU5T-14474-ADA	2-1572901-4	35589655
2-1832575-1	NU5T-14474-AXA	2-1572901-5	33123737
1572901-5	F8V8-14474-BA	1-1572901-8	15418893

WIRE SIZE	CRIMP HEIGHT mm [INCH]	CRIMP HEIGHT REFERENCE SETTING
1.00mm2	1.40 +/- 0.05 [.055 +/- .002]	7.8
18 AWG	1.35 +/- 0.05 [.053 +/- .002]	8.3
0.75mm2	1.30 +/- 0.05 [.051 +/- .002]	8.9
0.50mm2	1.25 +/- 0.05 [.049 +/- .002]	9.3

**\*WARNING**  
ON INSTALLATION, SET WIRE DISC TO CRIMP HEIGHT REFERENCE SETTING FOR LARGEST WIRE SIZE. CRIMP HEIGHT REFERENCE SETTINGS GREATER THAN THE VALUE SHOWN MAY CAUSE DAMAGE TO THE CRIMP TOOLING, REFER TO THE INSTRUCTION SHEET FOR PROPER SETUP AND ADJUSTMENTS.

- RECOMMENDED SPARE PARTS
- REFER TO SUPPLIED INSTRUCTION SHEET FOR CLEANING, LUBRICATION AND STORAGE OF APPLICATOR.
- APPLY PART NUMBER 2-23419-6 LOCTITE TO THREADS OF ITEM 242.
- CRIMP HEIGHT REFERENCE SETTING WAS THE SETTING USED WHEN THE APPLICATOR WAS QUALIFIED AT THE FACTORY. ADJUSTMENT MAY BE NECESSARY WHEN RUNNING APPLICATOR IN THE FIELD.
- CUT TO LENGTH AT ASSEMBLY.
- TERMINAL LUBRICANT IS RECOMMENDED.
- 7. UNLESS SPECIFIED OTHERWISE TORQUE VALUES SHALL BE USED PER DOCUMENT, 101-35000.

LOC	DIST	REVISIONS					
A	66	P	LTN	DESCRIPTION	DATE	OWN	APVD
-	-	-	-	SEE SHEET 1	-	-	-

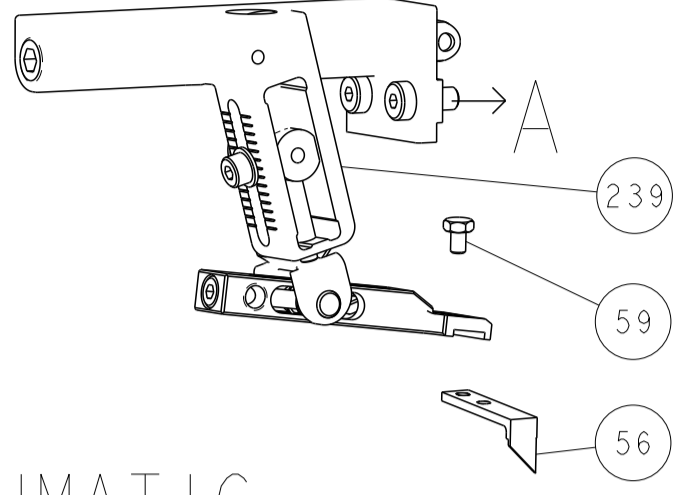
-	1	1	2119082-4	CAM, SNAIL, INSULATION ADJUSTMENT	244
-	1	1	2079764-1	WASHER, WAVE SPRING, CREST-TO-CREST	243
-	1	1	2119083-1	RETAINER, INSULATION DIAL	242
-	1	1	7-18023-7	SCR, SKT HD CAP M3 X 4.0	241
-	-	1	2119580-1	MECHANICAL FEED ASSEMBLY	239
-	1	-	2844940-1	AIR FEED MODULE	238
-	REF	REF	994970-2	COUNTER, MAGNETIC	164
-	1	-	2119641-2	FEED CAM, AIR FEED	151
-	1	1	2168083-8	SCR, SKT HD CAP, RoHS, M4 X 16	144
-	4	4	2168083-9	SCR, SKT HD CAP, RoHS, M4 X 20	143
-	-	1	2119653-2	FEED CAM, POST FEED	142
-	1	1	1-1803583-0	APPLICATOR BASIC ASSEMBLY, SF	141
-	1	1	1803516-1	RAM ASSEMBLY, SF PACIFIC	140
-	1	1	2119955-1	ASSY, LUBRICATOR, SIDE FEED	113
-	1	1	2844908-1	SCREW, LOCKING	99
-	1	1	2844907-1	POST, LOCKING	98
-	1	1	318563-1	GUARD, FRONT CHIP	89
-	1	1	455888-6	SPACER, CRIMPER	82
-	1	1	1803607-3	DOCUMENTATION PACKAGE	71
-	1	1	2119740-1	TAG, IDENTIFICATION	67
-	2	2	2168078-1	SCREW, DRIVE, RH, RoHS, 2 x .188	66
-	1	1	5-18022-5	SCR, HEX HD CAP, M4 X 6.0	59
-	1	1	1338685-1	PAWL, FEED	56
-	2	2	1-2168083-0	SCR, SKT HD CAP, RoHS, M4 X 10	53
-	1	1	5018030-1	NUT, HEX, REG, RoHS, M3	52
-	1	1	811242-5	BUMPER, HOLD DOWN	51
-	1	1	690753-2	SPACER, TONKER	50
-	1	2	18023-9	SCR, SKT HD CAP M4 X 6.0	49
-	-	1	2119652-1	FEED CAM, PRE FEED	48
-	1	1	1803602-1	SCR, BHSC, RoHS (M8 X 25)	41
-	1	1	1752356-3	SUPPORT, TERMINAL	34
-	2	2	2079383-5	SCR, BHSC, RoHS (M4 X 20)	33
-	2	2	2-2844962-3	SPACER, CYLINDRICAL, STRIP GUIDE	30
-	1	1	2844992-2	ASSEMBLY, STRIP GUIDE	29
-	1	1	455888-3	SPACER, CRIMPER	28
-	1	1	1320928-2	STRIP GUIDE	24
-	1	1	2168083-2	SCR, SKT HD CAP, RoHS, M4 X 8.0	21
-	1	1	1-18028-2	WASHER, FLAT, REG M4	20
-	1	1	2119533-1	STRIPPER, SIDE FEED	19
-	1	1	2119806-1	INSERT, SHEAR	13
-	1	1	3-22280-3	SPRING, COMPRESSION	12
-	1	1	1-356885-3	STOP, SHEAR	11
-	1	1	2119805-1	SHEAR HOLDER, FRONT	10
-	1	1	1803095-6	FLOATING SHEAR, FRONT	9
-	1	1	1633932-4	ANVIL, COMBINATION	8
-	-	-	-	-	7
-	-	-	-	-	6
-	1	1	2119757-8	DEPRESSOR, SHEAR	5
-	1	1	2-238011-1	BLOCK, CRIMPER SPACER	4
-	1	1	1-1803018-1	CRIMPER, INSULATION O	3
-	1	1	455888-4	SPACER, CRIMPER	2
-	1	1	3-1633305-2	CRIMPER, WIRE PREMIUM	1

PACIFIC VERSION  
Shown on sheets 3 of 4 & 4 of 4  
(Atlantic version shown on sheets 1 of 4 & 2 of 4)

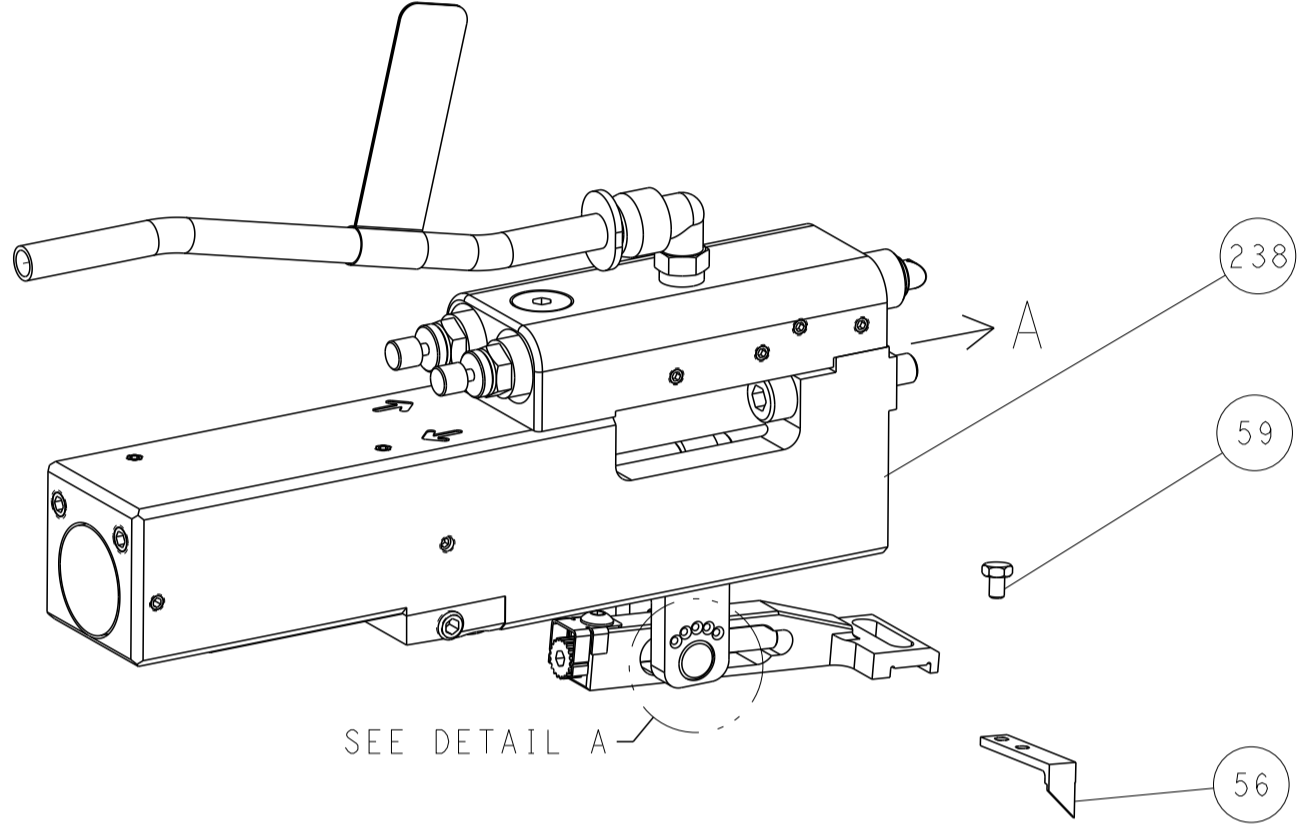
<small>THIS DRAWING IS UNPUBLISHED. IT IS THE PROPERTY OF TYCO ELECTRONICS CORPORATION. IT IS TO BE USED ONLY FOR THE PURPOSES SPECIFIED HEREIN. IT IS TO BE KEPT IN CONFIDENTIALITY AND NOT TO BE REPRODUCED OR TRANSMITTED IN ANY FORM OR BY ANY MEANS, ELECTRONIC OR MECHANICAL, INCLUDING PHOTOCOPYING, RECORDING, OR BY ANY INFORMATION STORAGE AND RETRIEVAL SYSTEM. PERMISSION IS GRANTED TO CONSULT THIS DOCUMENT FOR THE PURPOSES OF OBTAINING INFORMATION FROM IT. PERMISSION IS NOT GRANTED TO REPRODUCE OR TRANSMIT THIS DOCUMENT IN ANY FORM OR BY ANY MEANS, ELECTRONIC OR MECHANICAL, INCLUDING PHOTOCOPYING, RECORDING, OR BY ANY INFORMATION STORAGE AND RETRIEVAL SYSTEM.</small>		DWN BOB HIGMAN 08MAR2012 CHK T. ELBIN 08MAR2012 APVD M. CLIFFORD 08MAR2012	TE Connectivity Harrisburg, PA 17105-3608
DIMENSIONS: mm 		TOLERANCES UNLESS OTHERWISE SPECIFIED: 0 PLC ± 1 PLC ± 2 PLC ± 3 PLC ± 4 PLC ± ANGLES ± FINISH	NAME Ocean Side Feed Applicator SIZE CAGE CODE DRAWING NO RESTRICTED TO A1 00779 C=2151463 WEIGHT - Customer Accessible Production Drawing SCALE 1:2 SHEET 3 OF 4 REV J2

LOC	DIST	REVISIONS					
A	66	P	LTN	DESCRIPTION	DATE	DMN	APVD
		-		SEE SHEET 1			

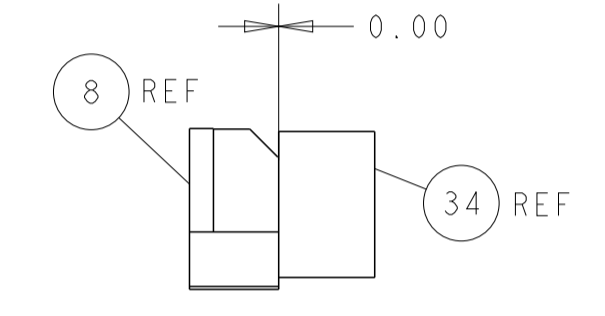
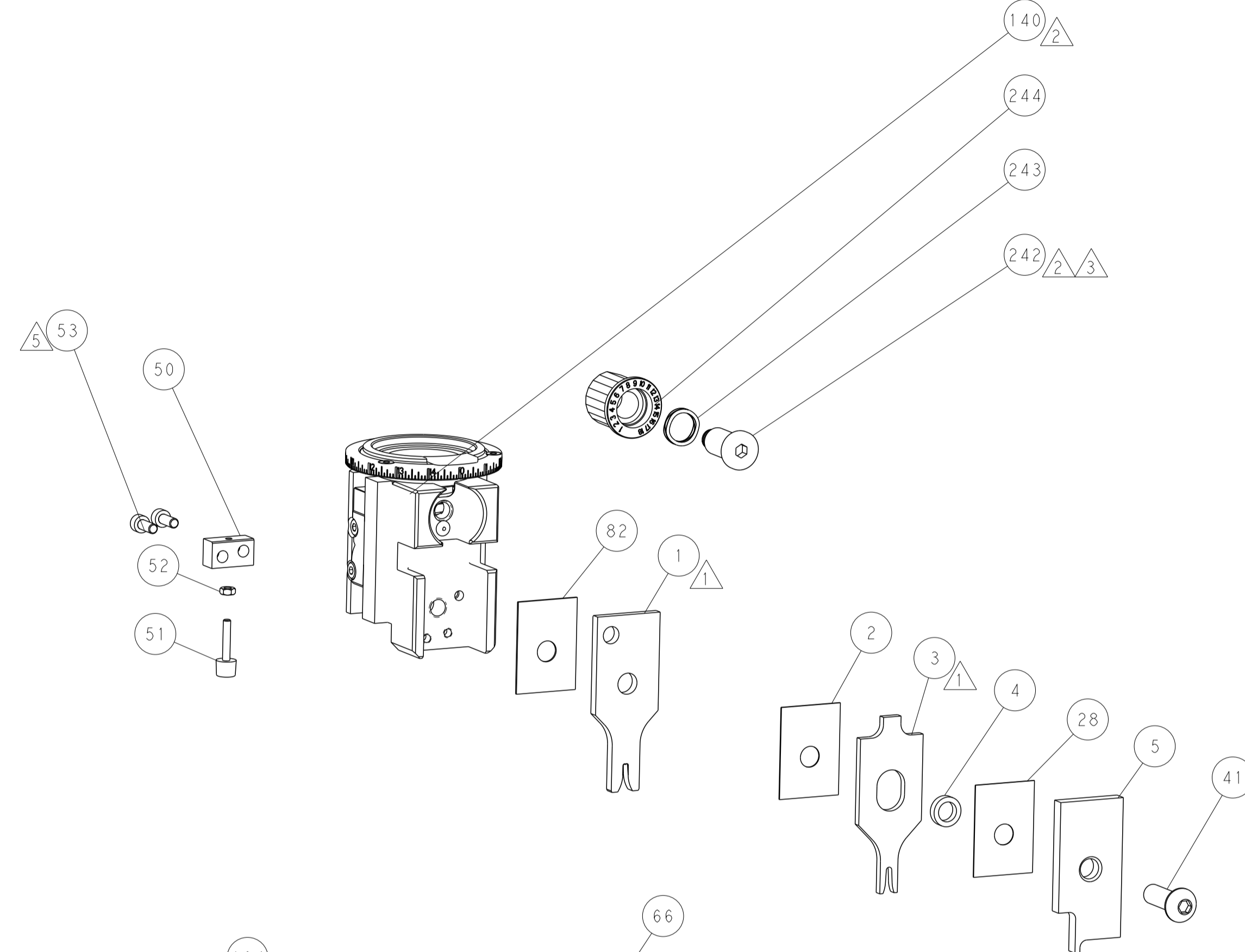
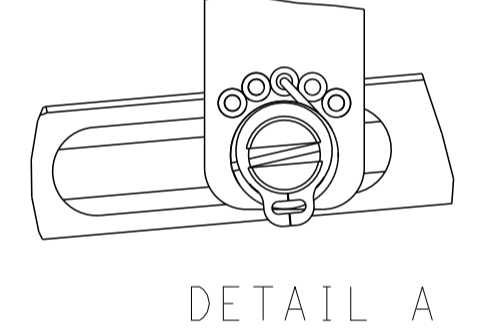
# FEED TYPE MECHANICAL



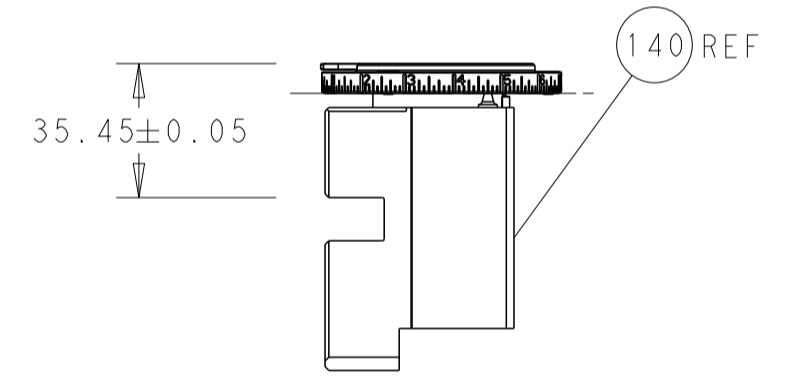
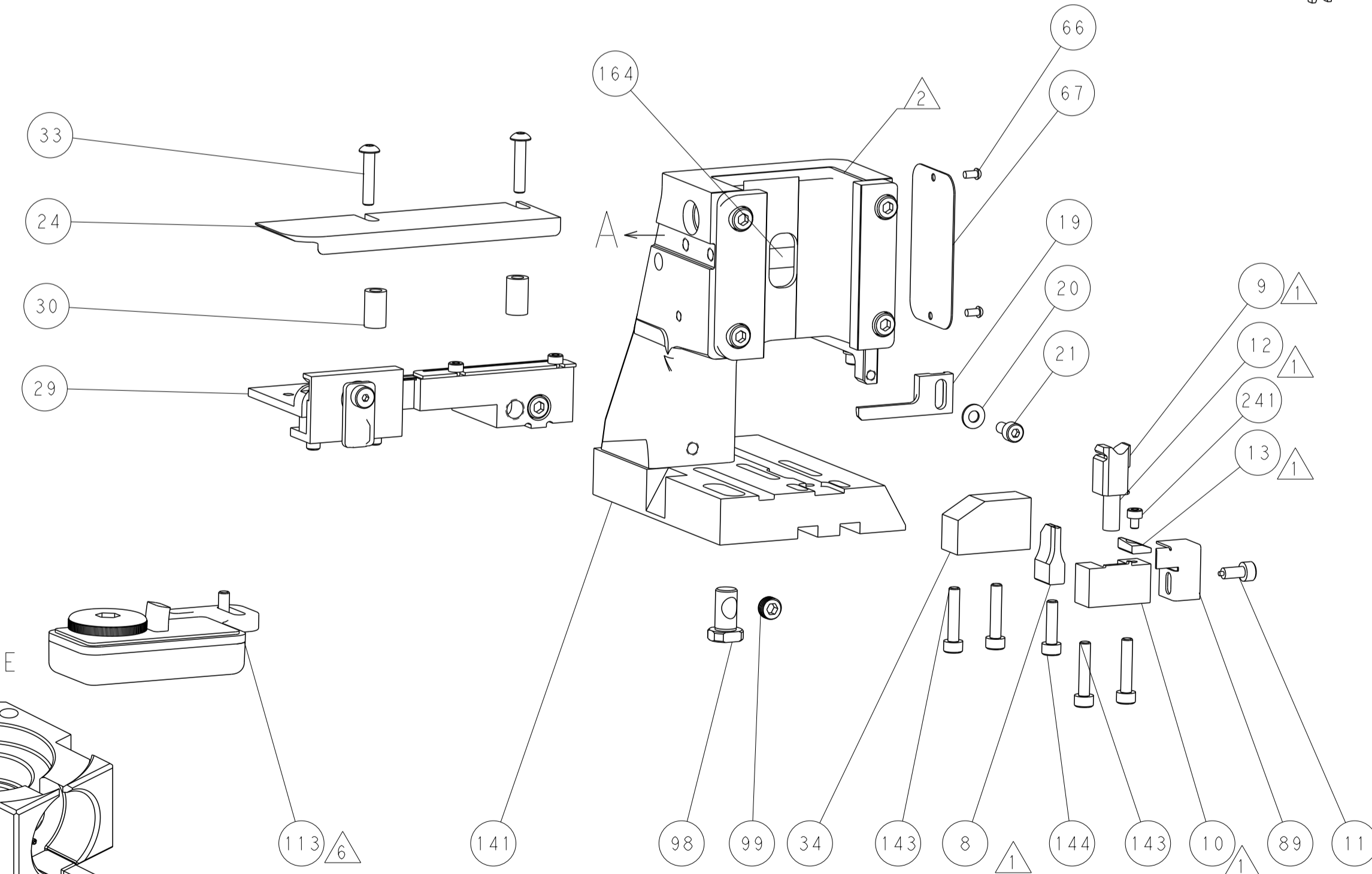
## PNEUMATIC



## FEED SPRING SETTING POSITION (SHOWN FROM REAR SIDE)

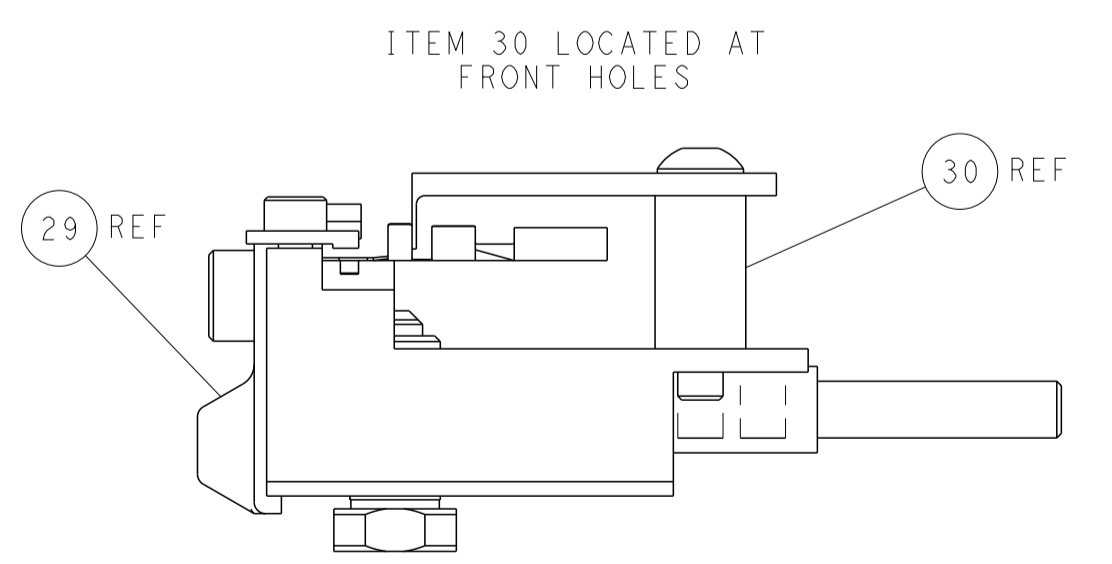
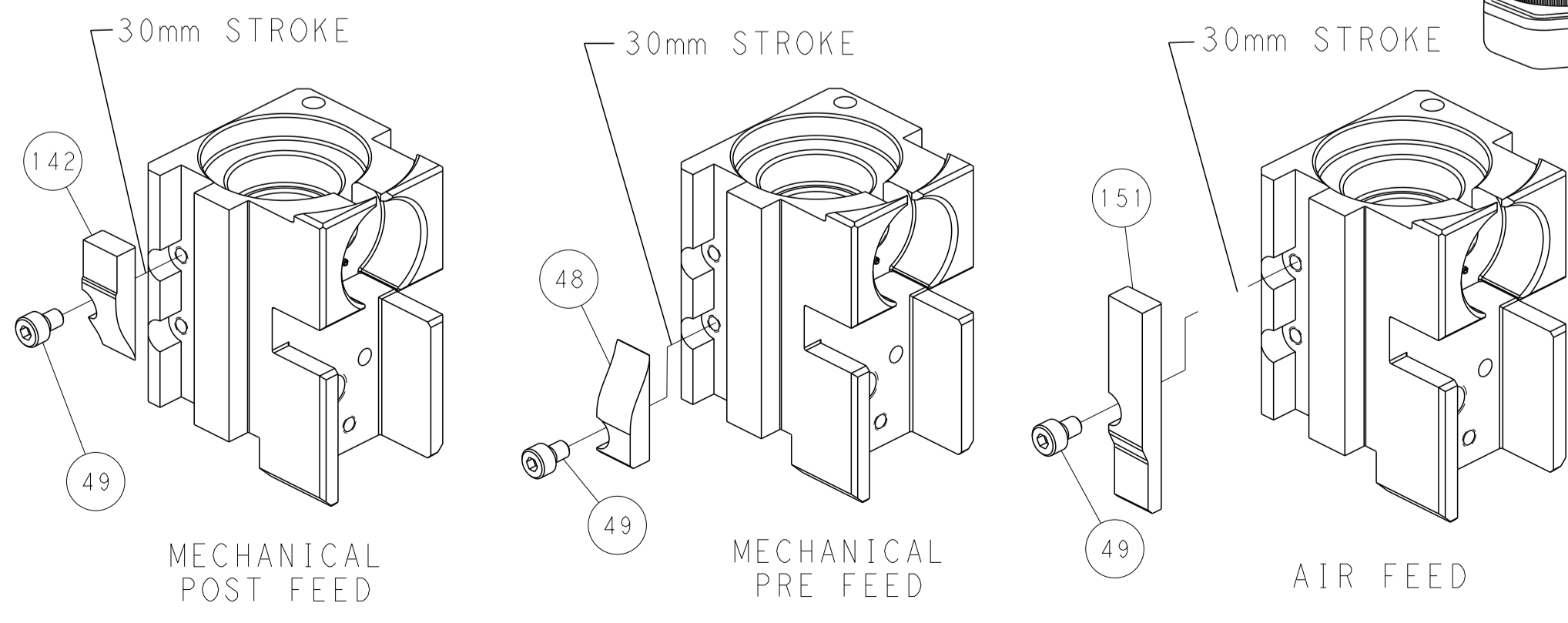


TERMINAL SUPPORT LOCATION



RAM SET-UP

## CAM POSITIONS



FEED TRACK POSITION GUIDE BY INSULATION BARREL

**PACIFIC VERSION**  
 Shown on sheets 3 of 4 & 4 of 4  
 (Atlantic version shown on sheets 1 of 4 & 2 of 4)

<small>THIS DRAWING IS UNPUBLISHED. RELEASED FOR PUBLICATION. IT IS THE POLICY OF TYCO ELECTRONICS CORPORATION TO CONTINUE TO IMPROVE ITS PRODUCTS WITHOUT NOTICE. THEREFORE, THIS DRAWING IS SUBJECT TO CHANGE WITHOUT NOTICE. THE USER ASSUMES ALL RESPONSIBILITY FOR THE LATEST REVISION.</small>		DWN BOB HIGMAN 08MAR2012 CHK T. ELBIN 08MAR2012 APVD M. CLIFFORD 08MAR2012 PRODUCT SPEC APPLICATION SPEC WEIGHT Customer Accessible Production Drawing	NAME Ocean Side Feed Applicator SIZE CAGE CODE DRAWING NO A1 00779 C=2151463 SCALE 1:2 SHEET 4 OF 4 REV J2	RESTRICTED TO -
--	--	--	--	--------------------