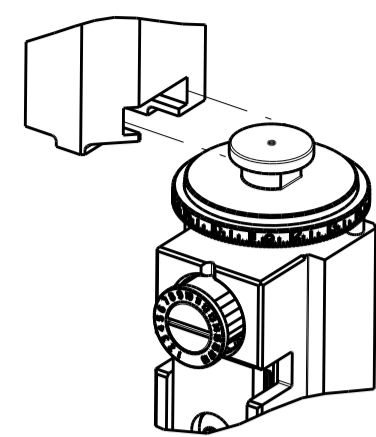


| PART NUMBER | REVISION | DESCRIPTION                     | FEED TYPE |
|-------------|----------|---------------------------------|-----------|
| 2150917-2   | B        | FINE CRIMP HEIGHT ADJUST        | PNEUMATIC |
| 7-2150917-2 | B        | PNEUMATIC AND CRIMP TOOLING KIT | PNEUMATIC |
| 7-2150917-7 | A        | CRIMP TOOLING KIT               | -         |

ATLANTIC VERSION TERMINATOR INTERFACE ADAPTER



| APPLICATOR DATA                |                |      |
|--------------------------------|----------------|------|
| CRIMP                          | SIZE           | TYPE |
| WIRE                           | 2.03 mm [.080] | F    |
| INSUL                          | 2.80 mm [.110] | OV   |
| APPL INSTRUCTIONS<br>408-35043 |                |      |

|                                                           |                 |                              |                 |
|-----------------------------------------------------------|-----------------|------------------------------|-----------------|
| TERMINAL DATA: YAZAKI TERMINAL YAZAKI CRIMP SPECIFICATION |                 |                              |                 |
| TERMINAL NAME: M-US TYPE TERMINAL MALE                    |                 |                              |                 |
| WIRE STRIP LENGTH                                         |                 | INSULATION DIAMETER RANGE    |                 |
| 5.00-6.00 mm [.197-.236 IN]                               |                 | ∅1.10-2.40 mm [.043-.094 IN] |                 |
| TERMINAL APPLICATION SPECIFICATION                        |                 | 72-WT08-427 Rev WA2144A      | -               |
| TERMINALS APPLIED                                         |                 |                              |                 |
| TE TERMINAL                                               | YAZAKI TERMINAL | TE TERMINAL                  | YAZAKI TERMINAL |
| 3311197-1                                                 | 7114-2882-02    | 3311197-2                    | 7114-2882       |

| WIRE SIZE | CRIMP HEIGHT mm [INCH]     | CRIMP HEIGHT REFERENCE SETTING |
|-----------|----------------------------|--------------------------------|
| 0.50mm2   | 1.25+/-0.05 [.049+/-0.002] | 6.2                            |
| 0.35mm2   | 1.20+/-0.05 [.047+/-0.002] | 6.6                            |
| 0.30mm2   | 1.20+/-0.05 [.047+/-0.002] | 6.4                            |

- RECOMMENDED SPARE PARTS
- REFER TO SUPPLIED INSTRUCTION SHEET FOR CLEANING, LUBRICATION AND STORAGE OF APPLICATOR.
- APPLY PART NUMBER 1-23419-5 LOCTITE TO THREADS OF ITEM 180. APPLY PART NUMBER 2-23419-6 LOCTITE TO THREADS OF ITEM 242.
- CRIMP HEIGHT REFERENCE SETTING WAS THE SETTING USED WHEN THE APPLICATOR WAS QUALIFIED AT THE FACTORY. ADJUSTMENT MAY BE NECESSARY WHEN RUNNING APPLICATOR IN THE FIELD.
- TERMINAL PITCH NOT COMPATIBLE WITH MECHANICAL FEED.
- 6. UNLESS SPECIFIED OTHERWISE TORQUE VALUES SHALL BE USED PER DOCUMENT, 101-35000.

**\*WARNING**  
ON INSTALLATION, SET WIRE DISC TO CRIMP HEIGHT REFERENCE SETTING FOR LARGEST WIRE SIZE. CRIMP HEIGHT REFERENCE SETTINGS GREATER THAN THE VALUE SHOWN MAY CAUSE DAMAGE TO THE CRIMP TOOLING, REFER TO THE INSTRUCTION SHEET FOR PROPER SETUP AND ADJUSTMENTS.

ATLANTIC VERSION  
Shown on sheets 1 of 4 & 2 of 4  
(Pacific version shown on sheets 3 of 4 & 4 of 4)

| LOC | DIST | REVISIONS |     |               |           |     |      |
|-----|------|-----------|-----|---------------|-----------|-----|------|
|     |      | P         | LTN | DESCRIPTION   | DATE      | OWN | APVD |
| A   | 66   | 1         |     | DEVELOPMENT   | 12MAY2018 | TB  | CT   |
|     |      | A         |     | RELEASE       | 26JUN2018 | AW  | TE   |
|     |      | B         |     | ECR-19-001554 | 30JAN2019 | FZ  | YY   |

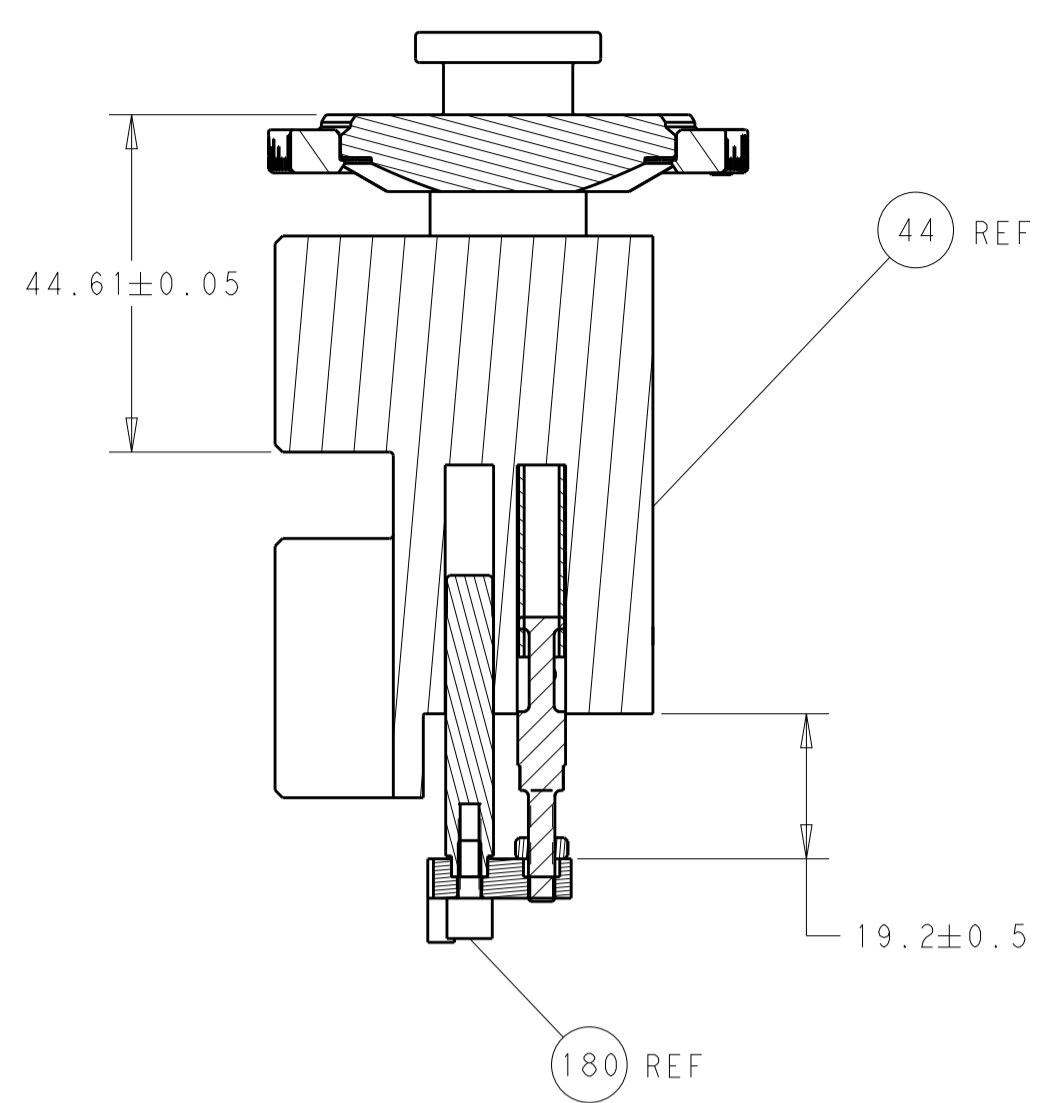
|   |     |     |             |                                     |         |
|---|-----|-----|-------------|-------------------------------------|---------|
| - | 1   | 1   | 2119640-1   | PUSH ROD, AIR FEED                  | 250     |
| - | 1   | 1   | 1803259-1   | BUSHING, FLANGED                    | 249     |
| - | 1   | 1   | 2119641-1   | FEED CAM, AIR FEED                  | 248     |
| - | 1   | 1   | 2119082-8   | CAM, SNAIL, INSULATION ADJUSTMENT   | 244     |
| - | 1   | 1   | 2079764-1   | WASHER, WAVE SPRING, CREST-TO-CREST | 243     |
|   | -   | 1   | 2119083-1   | RETAINER, INSULATION DIAL           | 242     |
| - | 1   | 1   | 2063440-2   | AIR FEED MODULE                     | 238     |
| - | 1   | 1   | 1-18028-0   | WASHER, FLAT, REG M8                | 192     |
|   | -   | 1   | 1752354-6   | STANDOFF, HOLD-DOWN                 | 180     |
| - | 1   | 1   | 6-993111-6  | PIN, SLOTTED SPRING 3.0 X 14.0      | 177     |
| - | 1   | 1   | 8-22280-7   | SPRING, COMPRESSION                 | 176     |
| - | 1   | 1   | 1752353-2   | GUIDE PIN, HOLDDOWN                 | 175     |
| - | 1   | 1   | 1901680-2   | GUIDE PIN, HOLDDOWN                 | 174     |
| - | 2   | 2   | 21045-3     | RING, RETAIN, EXTERN, 3/16 CRESCENT | 172     |
| - | REF | REF | 994970-2    | COUNTER, MAGNETIC                   | 164     |
| - | 1   | 1   | 240638-1    | SPRING, FEED FINGER                 | 163     |
| - | 1   | 1   | 3-23627-7   | PIN, RETAIN, GRVD, 3/16 X .854      | 137     |
| - | 1   | 1   | 455888-3    | SPACER, CRIMPER                     | 120     |
| - | 1   | 1   | 1-455888-0  | SPACER, CRIMPER                     | 82      |
| - | 1   | 1   | 2119791-5   | DEPRESSOR, WIRE                     | 73      |
| - | 1   | 1   | 1803607-2   | DOCUMENTATION PACKAGE               | 71      |
| - | 2   | 2   | 2-18032-2   | SCR, SET, FLT PNT, M3 X 10.0        | 70      |
| - | 1   | 1   | 2119943-1   | WASHER, SPACER                      | 69      |
| - | 1   | 1   | 2119740-1   | TAG, IDENTIFICATION                 | 67      |
| - | 2   | 2   | 2168078-1   | SCREW, DRIVE, RH, RoHS, 2 x .188    | 66      |
| - | 1   | 1   | 1901681-1   | HOLDDOWN, TERMINAL                  | 65      |
| - | 2   | 2   | 2168400-8   | SHCS, LOW HEAD, RoHS, M4 X 16       | 64      |
| - | 1   | 1   | 2168083-2   | SCR, SKT HD CAP, RoHS, M4 X 8.0     | 60      |
| - | 3   | 3   | 2168400-4   | SHCS, LOW HEAD, RoHS, M4 X 8        | 57      |
| - | 2   | 2   | 2-2168083-6 | SCR, SKT HD CAP, RoHS, M4 X 18      | 56      |
| - | 2   | 2   | 5018030-1   | NUT, HEX, REG, RoHS, M3             | 54      |
| - | 2   | 2   | 986965-8    | NUT, LOCK, HEX, TORQUE (M4)         | 53      |
| - | 1   | 1   | 1-5018030-0 | NUT, HEX, REG, RoHS, M3.5           | 52      |
| - | 1   | 1   | 2119792-2   | PAWL, EF, AIR                       | 51      |
| - | 1   | 1   | 18023-9     | SCR, SKT HD CAP M4 X 6.0            | 49      |
| - | 1   | 1   | 2119655-5   | APPLICATOR BASIC ASSEMBLY, EF       | 46      |
| - | 1   | 1   | 1803517-1   | RAM ASSEMBLY, EF ATLANTIC           | 44      |
| - | 1   | 1   | 1803602-1   | SCR, BHSC, RoHS (M8 X 25)           | 41      |
| - | 7   | 7   | 1-18028-2   | WASHER, FLAT, REG M4                | 33      |
| - | 2   | 2   | 2168083-9   | SCR, SKT HD CAP, RoHS, M4 X 20      | 31      |
| - | 2   | 2   | 2168083-2   | SCR, SKT HD CAP, RoHS, M4 X 8.0     | 29      |
| - | 1   | 1   | 240639-1    | STRIPPER (MACHINING)                | 27      |
| - | 2   | 2   | 1-2168083-5 | SCR, SKT HD CAP, RoHS, M4 X 30      | 25      |
| - | 1   | 1   | 1-1752371-4 | PLATE, STRIP GUIDE                  | 24      |
| - | 1   | 1   | 240825-1    | PLATE, STRIP HOLD DOWN              | 23      |
| - | 2   | 2   | 2-22281-3   | SPRING, COMPRESSION                 | 22      |
| - | 1   | 1   | 1803292-4   | DRAG                                | 20      |
| - | 2   | 2   | 1901259-3   | GUIDE, LOWER STRIP                  | 18      |
| - | 4   | 4   | 1-2079383-1 | SCR, BHSC, RoHS (M6 X 12)           | 17      |
| - | 1   | 1   | 240641-6    | SPACER                              | 16      |
| - | 1   | 1   | 1752360-1   | SPACER, HOLD-DOWN                   | 13      |
|   | -   | 1   | 240833-7    | PLATE, REAR SHEAR                   | 11      |
| - | -   | -   | -           | -                                   | 10      |
|   | -   | 1   | 690482-3    | PLATE, FRONT SHEAR                  | 9       |
|   | 1   | 2   | 1-1803426-6 | ANVIL, COMBINATION, END FEED        | 8       |
|   | -   | 1   | 1-2217206-3 | BLADE, SLUG                         | 7       |
| - | -   | -   | -           | -                                   | 6       |
| - | 1   | 1   | 8-240641-3  | SPACER                              | 5       |
| - | 1   | 1   | 238011-2    | BLOCK, CRIMPER SPACER               | 4       |
|   | 1   | 2   | 1-1633964-0 | CRIMPER, INSULATION OVERLAP PREMIUM | 3       |
| - | 1   | 1   | 455888-3    | SPACER, CRIMPER                     | 2       |
|   | 1   | 2   | 1-456405-3  | CRIMPER, WIRE PREMIUM               | 1       |
| - | -   | -   | -77-72-2    | PART NO                             | ITEM NO |

|             |                                        |                                        |                          |                           |         |                           |  |
|-------------|----------------------------------------|----------------------------------------|--------------------------|---------------------------|---------|---------------------------|--|
| DIMENSIONS: |                                        | TOLERANCES UNLESS OTHERWISE SPECIFIED: |                          | DWN T. BROOKENS 12MAY2018 |         | TE Connectivity           |  |
| mm          | 0 PLC ±                                | 1 PLC ±                                | 2 PLC ±                  | 3 PLC ±                   | 4 PLC ± | Harrisburg, PA 17105-3608 |  |
|             | ANGLES                                 | FINISH                                 | CHK R. KNEPPER 12MAY2018 |                           | NAME    |                           |  |
| MATERIAL    | APVD C. TOPPER 12MAY2018               | PRODUCT SPEC                           |                          | Ocean End Feed Applicator |         |                           |  |
|             | APPLICATION SPEC                       | SIZE                                   |                          | CAGE CODE                 |         | DRAWING NO                |  |
|             | WEIGHT                                 | A1 00779                               |                          | C=2150917                 |         | RESTRICTED TO             |  |
|             | Customer Accessible Production Drawing | SCALE 1:1                              |                          | SHEET 1 OF 4              |         | REV B                     |  |

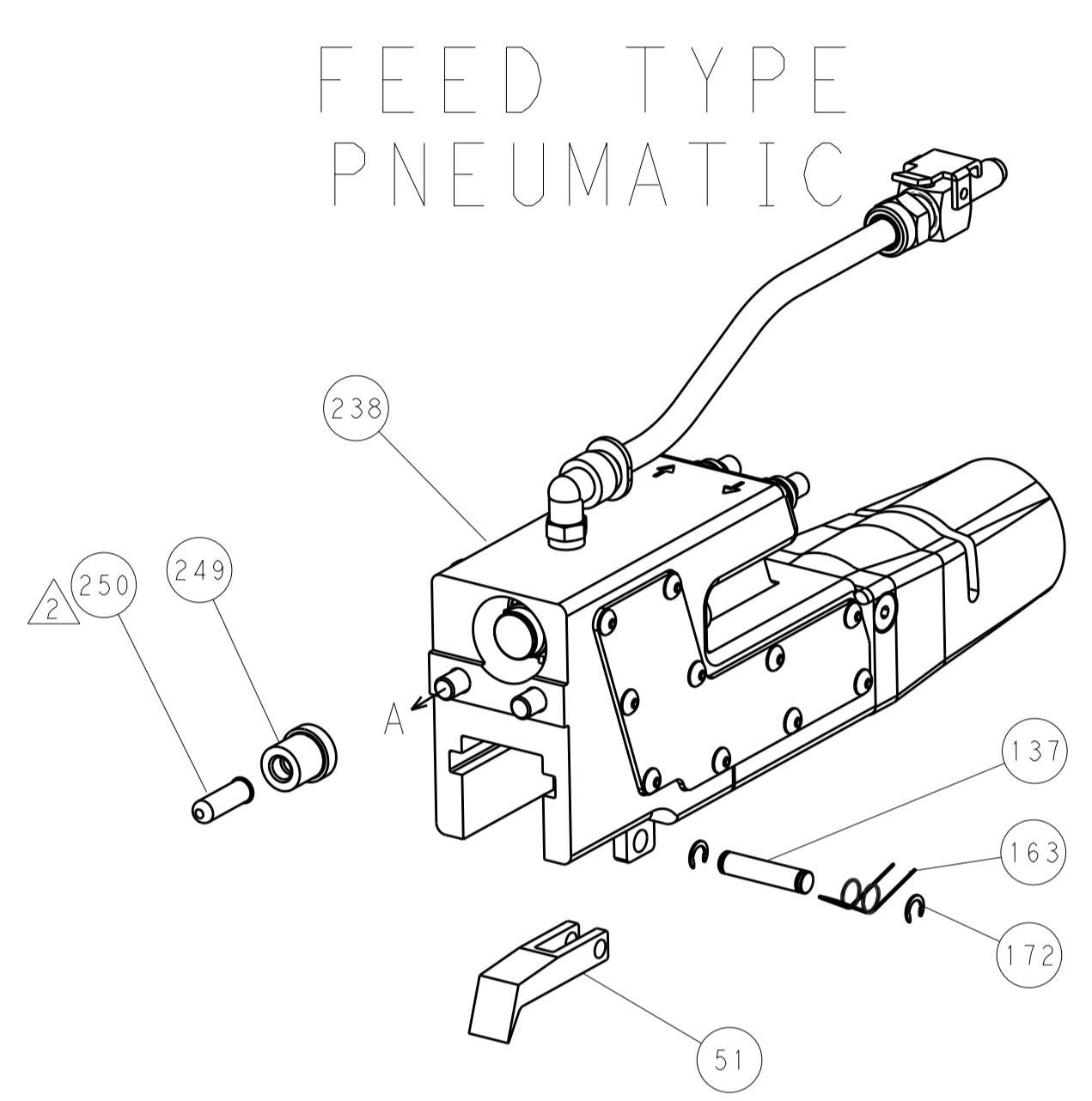
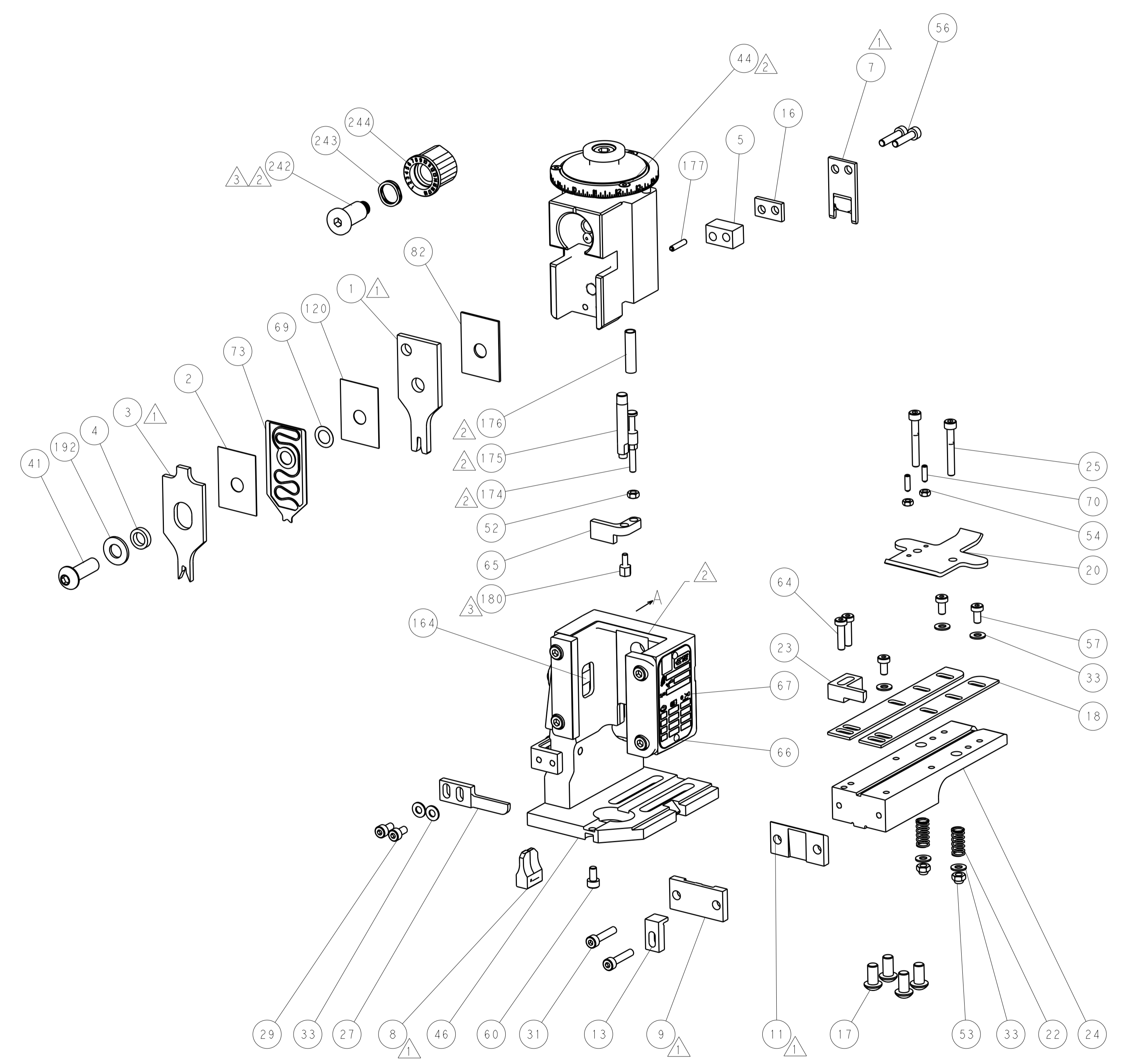
| LOC | DIST | REV | DATE | BY | APPV |
|-----|------|-----|------|----|------|
| A   | 66   |     |      |    |      |

| REVISIONS |      |             |    |
|-----------|------|-------------|----|
| REV       | DATE | DESCRIPTION | BY |
| -         | -    | SEE SHEET 1 | -  |

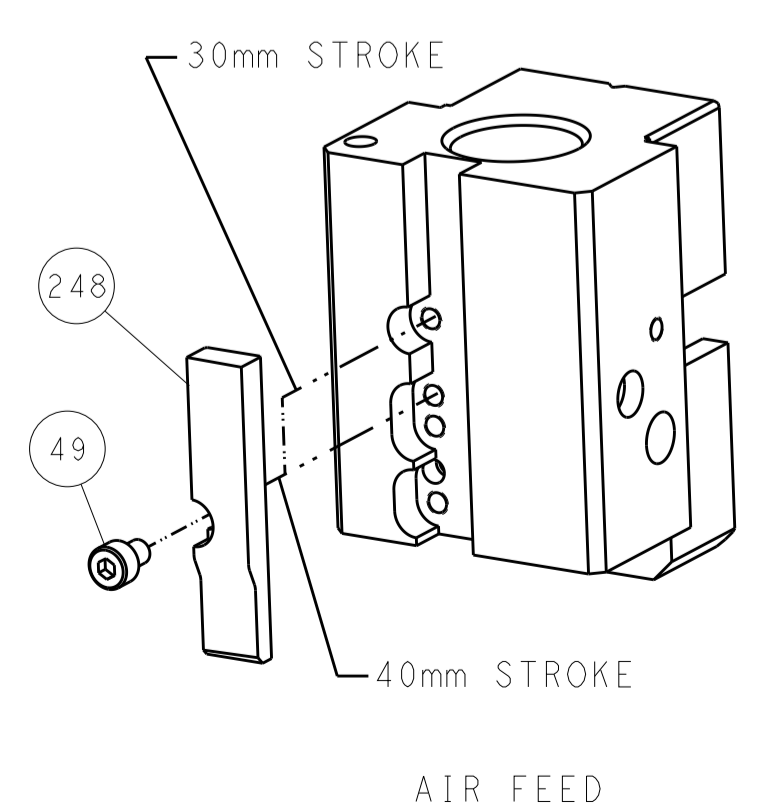


RAM AND HOLDDOWN SET-UP



FEED TYPE PNEUMATIC

CAM POSITION



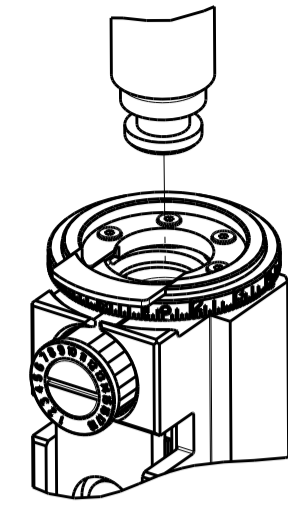
AIR FEED

ATLANTIC VERSION  
 Shown on sheets 1 of 4 & 2 of 4  
 (Pacific version shown on sheets 3 of 4 & 4 of 4)

|                                                                                                                             |  |                                                                                                                       |                                                                                      |
|-----------------------------------------------------------------------------------------------------------------------------|--|-----------------------------------------------------------------------------------------------------------------------|--------------------------------------------------------------------------------------|
| <small>THIS DRAWING IS UNPUBLISHED. RELEASED FOR PUBLICATION BY TYCO ELECTRONICS CORPORATION. ALL RIGHTS RESERVED.</small>  |  | DWN T. BROOKENS 12MAY2018<br>CHK R. KNEPPER 12MAY2018<br>APVD C. TOPPER 12MAY2018                                     | TE Connectivity<br>Harrisburg, PA 17105-3608                                         |
| DIMENSIONS: mm<br>TOLERANCES UNLESS OTHERWISE SPECIFIED:<br>0 PLC ±<br>1 PLC ±<br>2 PLC ±<br>3 PLC ±<br>4 PLC ±<br>ANGLES ± |  | NAME Ocean End Feed Applicator<br>PRODUCT SPEC<br>APPLICATION SPEC<br>SIZE CAGE CODE DRAWING NO<br>A1 00779 C=2150917 | RESTRICTED TO<br>Customer Accessible Production Drawing SCALE 1:1 SHEET 2 OF 4 REV B |

| THIS DRAWING IS UNPUBLISHED.                                       | RELEASED FOR PUBLICATION |                          |           |
|--------------------------------------------------------------------|--------------------------|--------------------------|-----------|
| COPYRIGHT 20 BY TYCO ELECTRONICS CORPORATION. ALL RIGHTS RESERVED. |                          |                          |           |
| PART NUMBER                                                        | REVISION                 | DESCRIPTION              | FEED TYPE |
| 2-2150917-2                                                        | B                        | FINE CRIMP HEIGHT ADJUST | PNEUMATIC |
| 7-2150917-7                                                        | A                        | CRIMP TOOLING KIT        | -         |

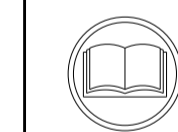
PACIFIC VERSION TERMINATOR  
INTERFACE ADAPTER



| APPLICATOR DATA                |                |      |
|--------------------------------|----------------|------|
| CRIMP                          | SIZE           | TYPE |
| WIRE                           | 2.03 mm [.080] | F    |
| INSUL                          | 2.80 mm [.110] | OV   |
| APPL INSTRUCTIONS<br>408-35043 |                |      |

|                                                               |                 |                                                          |                 |
|---------------------------------------------------------------|-----------------|----------------------------------------------------------|-----------------|
| TERMINAL DATA: YAZAKI TERMINAL YAZAKI CRIMP SPECIFICATION     |                 |                                                          |                 |
| TERMINAL NAME: M-US TYPE TERMINAL MALE                        |                 |                                                          |                 |
| WIRE STRIP LENGTH<br>5.00-6.00 mm [.197-.236 IN]              |                 | INSULATION DIAMETER RANGE<br>1.10-2.40 mm [.043-.094 IN] |                 |
| TERMINAL APPLICATION SPECIFICATION<br>32-WT08-427 Rev WA2144A |                 |                                                          |                 |
| TERMINALS APPLIED                                             |                 |                                                          |                 |
| TE TERMINAL                                                   | YAZAKI TERMINAL | TE TERMINAL                                              | YAZAKI TERMINAL |
| 3311197-1                                                     | 7114-2882-02    | 3311197-2                                                | 7114-2882       |

| WIRE SIZE | CRIMP HEIGHT mm [INCH]        | CRIMP HEIGHT REFERENCE SETTING |
|-----------|-------------------------------|--------------------------------|
| 0.50mm2   | 1.25 +/- 0.05 [.049 +/- .002] | 6.2                            |
| 0.35mm2   | 1.20 +/- 0.05 [.047 +/- .002] | 6.6                            |
| 0.30mm2   | 1.20 +/- 0.05 [.047 +/- .002] | 6.4                            |



- 1 RECOMMENDED SPARE PARTS
- 2 REFER TO SUPPLIED INSTRUCTION SHEET FOR CLEANING, LUBRICATION AND STORAGE OF APPLICATOR.
- 3 APPLY PART NUMBER 1-23419-5 LOCTITE TO THREADS OF ITEM 180. APPLY PART NUMBER 2-23419-6 LOCTITE TO THREADS OF ITEM 242.
- 4 CRIMP HEIGHT REFERENCE SETTING WAS THE SETTING USED WHEN THE APPLICATOR WAS QUALIFIED AT THE FACTORY. ADJUSTMENT MAY BE NECESSARY WHEN RUNNING APPLICATOR IN THE FIELD.
- 5 TERMINAL PITCH NOT COMPATIBLE WITH MECHANICAL FEED.
- 6. UNLESS SPECIFIED OTHERWISE TORQUE VALUES SHALL BE USED PER DOCUMENT, 101-35000.

**\*WARNING**  
ON INSTALLATION, SET WIRE DISC TO CRIMP HEIGHT REFERENCE SETTING FOR LARGEST WIRE SIZE. CRIMP HEIGHT REFERENCE SETTINGS GREATER THAN THE VALUE SHOWN MAY CAUSE DAMAGE TO THE CRIMP TOOLING. REFER TO THE INSTRUCTION SHEET FOR PROPER SETUP AND ADJUSTMENTS.

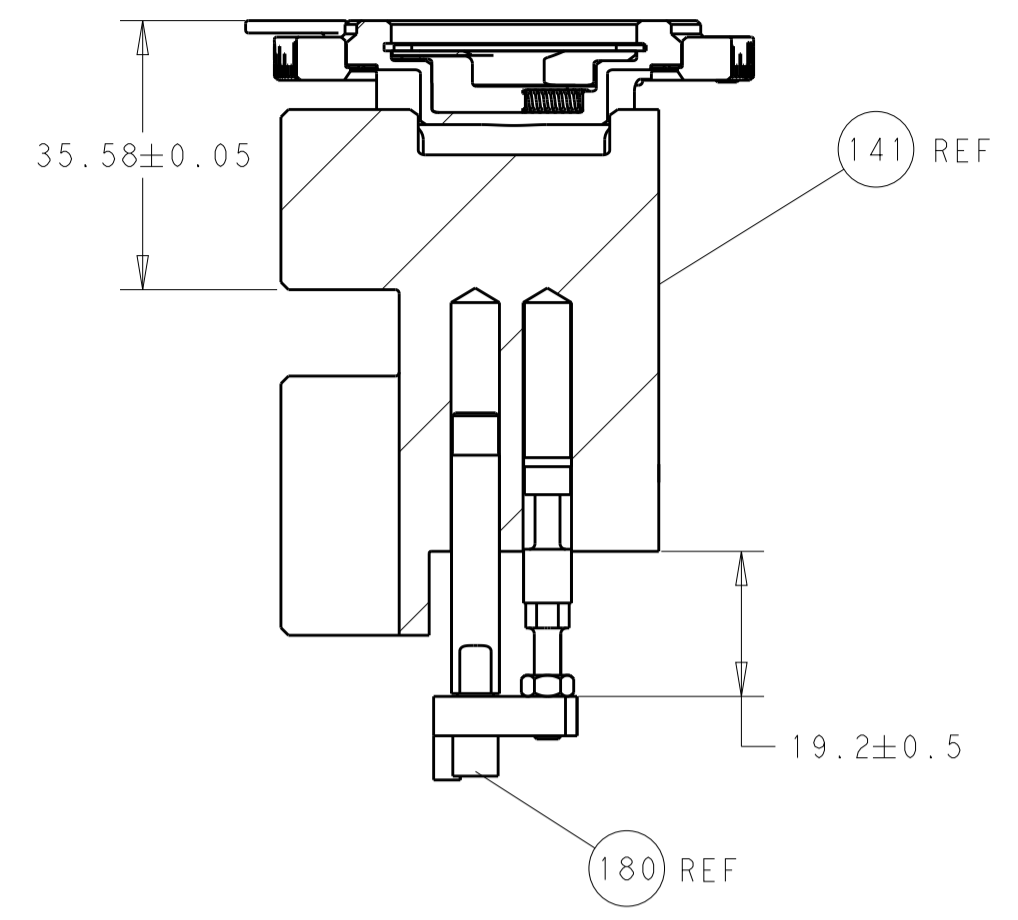
**PACIFIC VERSION**  
Shown on sheets 3 of 4 & 4 of 4  
(Atlantic version shown on sheets 1 of 4 & 2 of 4)

| LOC | DIST | REVISIONS |     |             |      |     |      |
|-----|------|-----------|-----|-------------|------|-----|------|
| A   | 66   | P         | LTN | DESCRIPTION | DATE | OWN | APVD |
|     |      | -         |     | SEE SHEET 1 | -    | -   | -    |

|   |     |             |                                     |     |
|---|-----|-------------|-------------------------------------|-----|
| - | 1   | 2119640-1   | PUSH ROD, AIR FEED                  | 250 |
| - | 1   | 1803259-1   | BUSHING, FLANGED                    | 249 |
| - | 1   | 2119082-8   | CAM, SNAIL, INSULATION ADJUSTMENT   | 244 |
| - | 1   | 2079764-1   | WASHER, WAVE SPRING, CREST-TO-CREST | 243 |
| 3 | -   | 2119083-1   | RETAINER, INSULATION DIAL           | 242 |
| - | 1   | 2063440-2   | AIR FEED MODULE                     | 238 |
| - | 1   | 1-18028-0   | WASHER, FLAT, REG M8                | 192 |
| - | 4   | 2079383-9   | SCR, BHSC, RoHS (M6 X 20)           | 186 |
| 3 | -   | 1752354-6   | STANDOFF, HOLD-DOWN                 | 180 |
| - | 1   | 6-993111-6  | PIN, SLOTTED SPRING 3.0 X 14.0      | 177 |
| - | 1   | 8-22280-7   | SPRING, COMPRESSION                 | 176 |
| - | 1   | 1752353-2   | GUIDE PIN, HOLDDOWN                 | 175 |
| - | 1   | 1901680-2   | GUIDE PIN, HOLDDOWN                 | 174 |
| - | 2   | 21045-3     | RING, RETAIN, EXTERN, 3/16 CRESCENT | 172 |
| - | REF | 994970-2    | COUNTER, MAGNETIC                   | 164 |
| - | 1   | 240638-1    | SPRING, FEED FINGER                 | 163 |
| - | 1   | 2119641-2   | FEED CAM, AIR FEED                  | 152 |
| - | 1   | 2168083-8   | SCR, SKT HD CAP, RoHS, M4 X 16      | 144 |
| - | 1   | 2119655-6   | APPLICATOR BASIC ASSEMBLY, EF       | 141 |
| - | 1   | 1803518-1   | RAM ASSEMBLY, EF PACIFIC            | 140 |
| - | 1   | 3-23627-7   | PIN, RETAIN, GRVD, 3/16 X .854      | 137 |
| - | 1   | 455888-3    | SPACER, CRIMPER                     | 120 |
| - | 1   | 1-455888-0  | SPACER, CRIMPER                     | 82  |
| - | 1   | 2119791-5   | DEPRESSOR, WIRE                     | 73  |
| - | 1   | 1803607-2   | DOCUMENTATION PACKAGE               | 71  |
| - | 2   | 2-18032-2   | SCR, SET, FLT PNT, M3 X 10.0        | 70  |
| - | 1   | 2119943-1   | WASHER, SPACER                      | 69  |
| - | 1   | 2119740-1   | TAG, IDENTIFICATION                 | 67  |
| - | 2   | 2168078-1   | SCREW, DRIVE, RH, RoHS, 2 x .188    | 66  |
| - | 1   | 1901681-1   | HOLDDOWN, TERMINAL                  | 65  |
| - | 2   | 2168400-8   | SHCS, LOW HEAD, RoHS, M4 X 16       | 64  |
| - | 3   | 2168400-4   | SHCS, LOW HEAD, RoHS, M4 X 8        | 57  |
| - | 2   | 2-2168083-6 | SCR, SKT HD CAP, RoHS, M4 X 18      | 56  |
| - | 2   | 5018030-1   | NUT, HEX, REG, RoHS, M3             | 54  |
| - | 2   | 986965-8    | NUT, LOCK, HEX, TORQUE (M4)         | 53  |
| - | 1   | 1-5018030-0 | NUT, HEX, REG, RoHS, M3.5           | 52  |
| - | 1   | 2119792-2   | PAWL, EF, AIR                       | 51  |
| - | 1   | 18023-9     | SCR, SKT HD CAP M4 X 6.0            | 49  |
| - | 1   | 1803602-1   | SCR, BHSC, RoHS (M8 X 25)           | 41  |
| - | 7   | 1-18028-2   | WASHER, FLAT, REG M4                | 33  |
| - | 2   | 2168083-9   | SCR, SKT HD CAP, RoHS, M4 X 20      | 31  |
| - | 2   | 2168083-2   | SCR, SKT HD CAP, RoHS, M4 X 8.0     | 29  |
| - | 1   | 240639-1    | STRIPPER (MACHINING)                | 27  |
| - | 2   | 1-2168083-5 | SCR, SKT HD CAP, RoHS, M4 X 30      | 25  |
| - | 1   | 1-1752371-4 | PLATE, STRIP GUIDE                  | 24  |
| - | 1   | 240825-1    | PLATE, STRIP HOLD DOWN              | 23  |
| - | 2   | 2-22281-3   | SPRING, COMPRESSION                 | 22  |
| - | 1   | 1803292-4   | DRAG                                | 20  |
| - | 2   | 1901259-3   | GUIDE, LOWER STRIP                  | 18  |
| - | 1   | 240641-6    | SPACER                              | 16  |
| - | 1   | 1752360-1   | SPACER, HOLD-DOWN                   | 13  |
| 3 | -   | 240833-7    | PLATE, REAR SHEAR                   | 11  |
| - | -   | -           | -                                   | 10  |
| 3 | -   | 690482-3    | PLATE, FRONT SHEAR                  | 9   |
| 3 | 1   | 1-1803426-6 | ANVIL, COMBINATION, END FEED        | 8   |
| 3 | -   | 1-2217206-3 | BLADE, SLUG                         | 7   |
| - | -   | -           | -                                   | 6   |
| - | 1   | 8-240641-3  | SPACER                              | 5   |
| - | 1   | 238011-2    | BLOCK, CRIMPER SPACER               | 4   |
| 3 | 1   | 1-1633964-0 | CRIMPER, INSULATION OVERLAP PREMIUM | 3   |
| - | 1   | 455888-3    | SPACER, CRIMPER                     | 2   |
| 3 | 1   | 1-456405-3  | CRIMPER, WIRE PREMIUM               | 1   |
| - | -   | -           | -                                   | 0   |

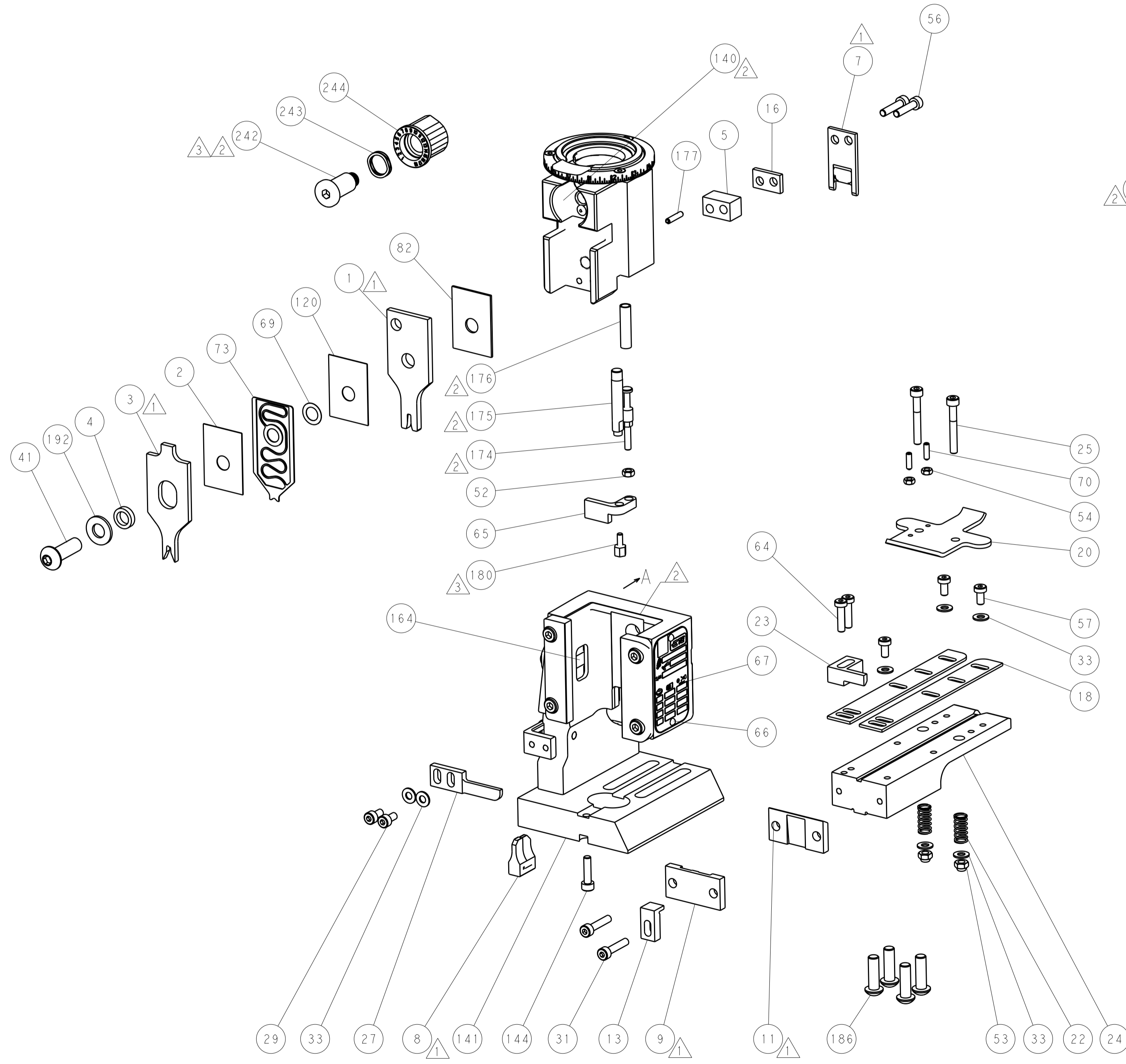
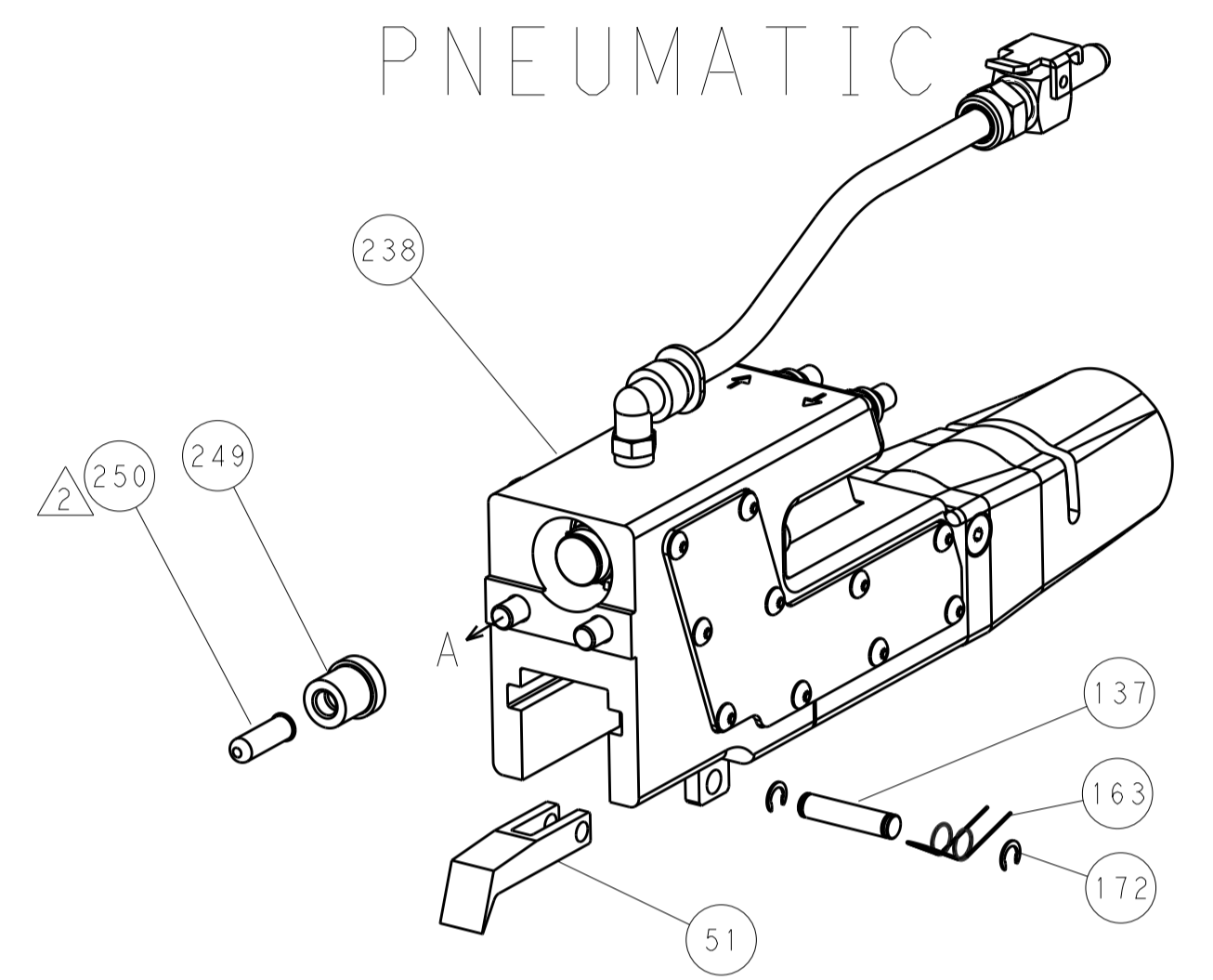
|                                        |         |                                        |         |                              |         |                           |              |                                                 |  |
|----------------------------------------|---------|----------------------------------------|---------|------------------------------|---------|---------------------------|--------------|-------------------------------------------------|--|
| DIMENSIONS:                            |         | TOLERANCES UNLESS OTHERWISE SPECIFIED: |         | DRAWN: T. BROOKENS 12MAY2018 |         | CHK: R. KNEPPER 12MAY2018 |              | NAME: TE Connectivity Harrisburg, PA 17105-3608 |  |
| mm                                     | 0 PLC ± | 1 PLC ±                                | 2 PLC ± | 3 PLC ±                      | 4 PLC ± | APVD: C. TOPPER 12MAY2018 | PRODUCT SPEC |                                                 |  |
| MATERIAL:                              |         | FINISH:                                |         | WEIGHT:                      |         | SCALE: 1:1                |              | SHEET 3 OF 4                                    |  |
| Customer Accessible Production Drawing |         | SCALE: 1:1                             |         | SHEET 3 OF 4                 |         | REV B                     |              | ITEM NO                                         |  |

| LOC |    | DIST |     | REVISIONS   |      |     |      |
|-----|----|------|-----|-------------|------|-----|------|
| A   | 66 | P    | LTM | DESCRIPTION | DATE | DWN | APVD |
|     |    | -    |     | SEE SHEET 1 |      |     |      |

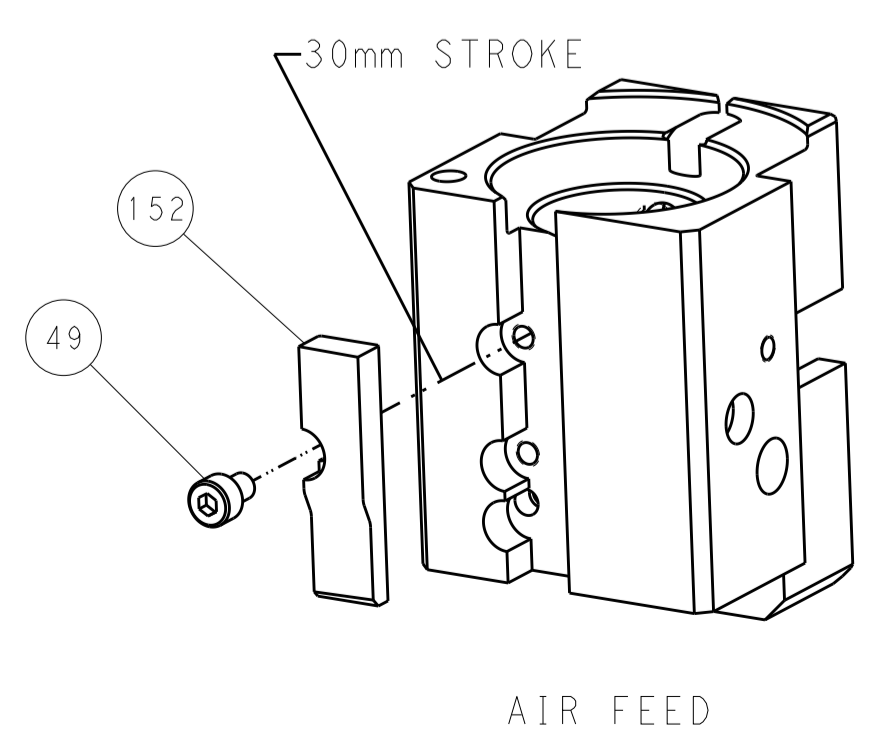


RAM AND HOLDDOWN SET-UP

FEED TYPE PNEUMATIC



CAM POSITION



PACIFIC VERSION  
 Shown on sheets 3 of 4 & 4 of 4  
 (Atlantic version shown on sheets 1 of 4 & 2 of 4)

|                                                                                                                             |  |                                                                                 |  |                                                                                                   |  |
|-----------------------------------------------------------------------------------------------------------------------------|--|---------------------------------------------------------------------------------|--|---------------------------------------------------------------------------------------------------|--|
| <small>THIS DRAWING IS UNPUBLISHED. RELEASED FOR PUBLICATION BY TYCO ELECTRONICS CORPORATION. ALL RIGHTS RESERVED.</small>  |  | DWN T. BROOKS 12MAY2018<br>CHK R. KNEPPER 12MAY2018<br>APVD C. TOPPER 12MAY2018 |  | TE Connectivity<br>Harrisburg, PA 17105-3608                                                      |  |
| DIMENSIONS: mm<br>TOLERANCES UNLESS OTHERWISE SPECIFIED:<br>0 PLC ±<br>1 PLC ±<br>2 PLC ±<br>3 PLC ±<br>4 PLC ±<br>ANGLES ± |  | PRODUCT SPEC<br>APPLICATION SPEC<br>WEIGHT<br>SCALE 1:1                         |  | NAME Ocean End Feed Applicator<br>SIZE CAGE CODE DRAWING NO. A11 00779 C=2150917<br>RESTRICTED TO |  |
| MATERIAL<br>FINISH                                                                                                          |  | CUSTOMER ACCESSIBLE PRODUCTION DRAWING                                          |  | SHEET 4 OF 4 REV B                                                                                |  |