

PART NUMBER	REVISION	DESCRIPTION	FEED TYPE
2150780-1	B	FINE CRIMP HEIGHT ADJUST	MECHANICAL
2150780-2	B	FINE CRIMP HEIGHT ADJUST	PNEUMATIC
7-2150780-1	B	MECHANICAL AND CRIMP TOOLING KIT	MECHANICAL
7-2150780-2	B	PNEUMATIC AND CRIMP TOOLING KIT	PNEUMATIC
7-2150780-7	A	CRIMP TOOLING KIT	-

ATLANTIC VERSION TERMINATOR INTERFACE ADAPTER



APPLICATOR DATA		
CRIMP	SIZE	TYPE
WIRE	3.30 mm [.130]	F
INSUL	-	-

TERMINAL DATA: INSINKERATOR TERMINAL TE CRIMP SPECIFICATION			
TERMINAL NAME: CLIP SPLICE			
WIRE STRIP LENGTH		INSULATION DIAMETER RANGE	
3.30-4.83 mm [.130-.190 IN]		∅	
TERMINAL APPLICATION SPECIFICATION	NONE	-	-
TERMINALS APPLIED			
TE TERMINAL	INSINKERATOR TERMINAL	TE TERMINAL	INSINKERATOR TERMINAL
2303727-1	2244		

WIRE SIZE	CRIMP HEIGHT mm [INCH]	CRIMP HEIGHT REFERENCE SETTING
18 AWG	1.78+/-0.05 [.070+/- .002]	9.1

- RECOMMENDED SPARE PARTS
- REFER TO SUPPLIED INSTRUCTION SHEET FOR CLEANING, LUBRICATION AND STORAGE OF APPLICATOR.
- CRIMP HEIGHT REFERENCE SETTING WAS THE SETTING USED WHEN THE APPLICATOR WAS QUALIFIED AT THE FACTORY. ADJUSTMENT MAY BE NECESSARY WHEN RUNNING APPLICATOR IN THE FIELD.
- TERMINAL LUBRICANT IS RECOMMENDED.
- 5. UNLESS SPECIFIED OTHERWISE TORQUE VALUES SHALL BE USED PER DOCUMENT, 101-35000.

**\*WARNING**  
ON INSTALLATION, SET WIRE DISC TO CRIMP HEIGHT REFERENCE SETTING FOR LARGEST WIRE SIZE. CRIMP HEIGHT REFERENCE SETTINGS GREATER THAN THE VALUE SHOWN MAY CAUSE DAMAGE TO THE CRIMP TOOLING. REFER TO THE INSTRUCTION SHEET FOR PROPER SETUP AND ADJUSTMENTS.

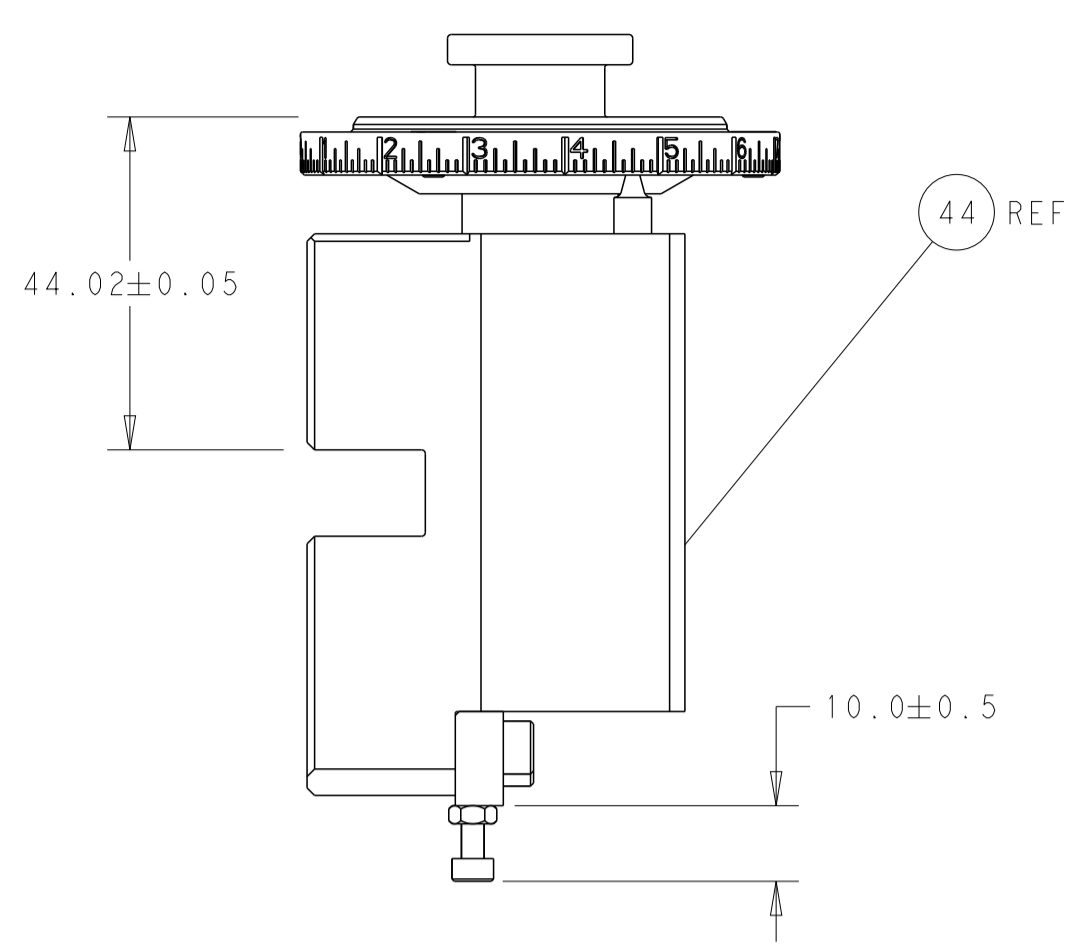
ATLANTIC VERSION  
Shown on sheets 1 of 4 & 2 of 4  
(Pacific version shown on sheets 3 of 4 & 4 of 4)

LOC	DIST	REVISIONS					
A	66	P	LTM	DESCRIPTION	DATE	OWN	APVD
		1		PRELIMINARY	03MAR2017	MEH	TE
		A		RELEASED	13APR2017	TB	TE
		B		ECR-19-010225	29JUN2019	TB	GB

-	1	-	1	-	2119640-1	PUSH ROD, AIR FEED	250	
-	1	-	1	-	1803259-1	BUSHING, FLANGED	249	
-	1	-	1	-	2119641-1	FEED CAM, AIR FEED	248	
-	-	1	-	1	2119580-1	MECHANICAL FEED ASSEMBLY	239	
-	1	-	1	-	2063440-1	AIR FEED MODULE	238	
-	1	1	1	1	1803163-3	FLOATING SHEAR HOLDER	206	
-	2	2	2	2	1-2168083-1	SCR, SKT HD CAP, RoHS, M3 X 6	191	
-	2	2	2	2	2-22280-0	SPRING, COMPRESSION	179	
-	2	2	2	2	2168083-1	SCR, SKT HD CAP, RoHS, M3 X 8.0	178	
-	1	1	1	1	356885-1	STOP, SHEAR	177	
-	2	-	2	-	21045-3	RING, RETAIN, EXTERN, 3/16 CRESCENT	172	
-	REF	REF	REF	REF	994970-2	COUNTER, MAGNETIC	164	
-	1	-	1	-	240638-1	SPRING, FEED FINGER	163	
-	1	-	1	-	3-23627-7	PIN, RETAIN, GRVD, 3/16 X .854	137	
-	2	2	2	2	1-18028-2	WASHER, FLAT, REG M4	119	
	1	1	1	1	2119955-2	ASSY, LUBRICATOR, END FEED	84	
-	1	1	1	1	3-455888-7	SPACER, CRIMPER	82	
-	1	1	1	1	1803203-2	BLOCK, FRONT DEPRESSOR	77	
-	1	1	1	1	2119791-5	DEPRESSOR, WIRE	73	
-	1	1	1	1	1803607-2	DOCUMENTATION PACKAGE	71	
-	2	2	2	2	2-18032-2	SCR, SET, FLT PNT, M3 X 10.0	70	
-	1	1	1	1	2119943-1	WASHER, SPACER	69	
-	1	1	1	1	2119740-1	TAG, IDENTIFICATION	67	
-	2	2	2	2	2168078-1	SCREW, DRIVE, RH, RoHS, 2 x .188	66	
-	-	1	-	1	5-18022-5	SCR, HEX HD CAP, M4 X 6.0	59	
-	-	1	-	1	2063961-1	FEED FINGER	58	
-	4	4	4	4	2168400-4	SHCS, LOW HEAD, RoHS, M4 X 8	57	
-	2	2	2	2	2168083-2	SCR, SKT HD CAP, RoHS, M4 X 8.0	56	
-	2	2	2	2	5018030-1	NUT, HEX, REG, RoHS, M3	54	
-	2	2	2	2	986965-8	NUT, LOCK, HEX, TORQUE (M4)	53	
-	1	-	1	-	2119792-1	PAWL, EF, AIR	51	
-	1	2	1	2	18023-9	SCR, SKT HD CAP M4 X 6.0	49	
-	-	1	-	1	2119652-1	FEED CAM, PRE FEED	48	
-	-	1	-	1	2119653-1	FEED CAM, POST FEED	47	
-	1	1	1	1	2119655-5	APPLICATOR BASIC ASSEMBLY, EF	46	
-	1	1	1	1	1803517-1	RAM ASSEMBLY, EF ATLANTIC	44	
-	1	1	1	1	1803602-1	SCR, BHSC, RoHS (M8 X 25)	41	
-	8	8	8	8	1-18028-2	WASHER, FLAT, REG M4	33	
-	2	2	2	2	2168083-2	SCR, SKT HD CAP, RoHS, M4 X 8.0	31	
-	2	2	2	2	2168083-2	SCR, SKT HD CAP, RoHS, M4 X 8.0	29	
-	1	1	1	1	468281-6	STRIPPER	27	
-	2	2	2	2	1-2168083-6	SCR, SKT HD CAP, RoHS, M4 X 35	25	
-	1	1	1	1	1803162-1	PLATE, STRIP GUIDE	24	
-	2	2	2	2	2-22281-3	SPRING, COMPRESSION	22	
-	1	1	1	1	1633168-1	ARM, STOCK DRAG	21	
-	1	1	1	1	464452-2	DRAG, STOCK	20	
-	2	2	2	2	1-1901259-8	GUIDE, LOWER STRIP	18	
-	4	4	4	4	1-2079383-1	SCR, BHSC, RoHS (M6 X 12)	17	
-	1	1	1	1	1-2168083-3	SCR, SKT HD CAP, RoHS, M3 X 16	16	
-	1	1	1	1	5018030-1	NUT, HEX, REG, RoHS, M3	15	
-	-	-	-	-	-	-	11	
-	-	-	-	-	-	-	10	
-	-	-	-	-	-	-	9	
	1	2	2	1	1	1213862-5	ANVIL, SPLICE TYPE	8
	-	1	1	1	1	1633722-3	SHEAR BLADE	7
-	-	-	-	-	-	-	6	
-	1	1	1	1	1	690753-6	SPACER, TONKER	5
-	-	-	-	-	-	-	4	
-	-	-	-	-	-	-	3	
-	-	-	-	-	-	-	2	
	1	2	2	1	1	1803504-1	CRIMPER, WIRE	1
-	77	72	71	2	-	1	1	

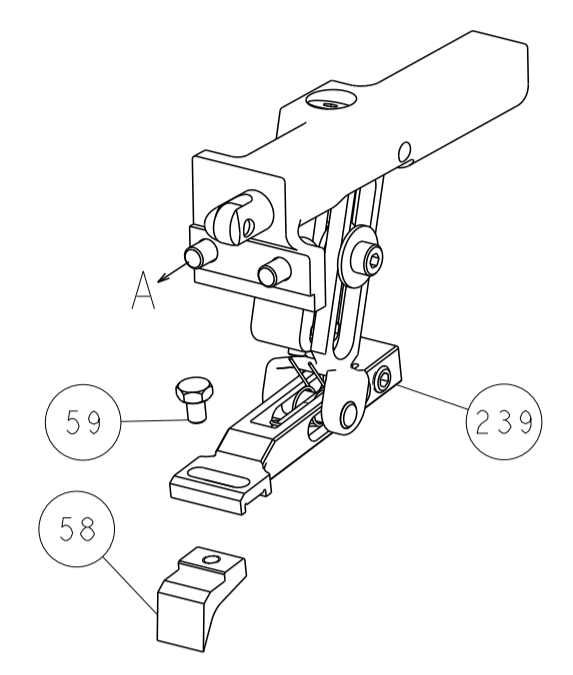
DIMENSIONS:		TOLERANCES UNLESS OTHERWISE SPECIFIED:		DWG: M_HERR 03MAR2017		CHK: T_ELBIN 03MAR2017		APVD: T_ELBIN 03MAR2017		NAME: Ocean End Feed Applicator	
mm	0 PLC ±	1 PLC ±	2 PLC ±	3 PLC ±	4 PLC ±	ANGLES ±	FINISH ±	SIZE: A1	CAGE CODE: 00779	DRAWING NO: C=2150780	RESTRICTED TO: -
MATERIAL: -	WEIGHT: -		SCALE: 1:1		SHEET: 1 OF 4		REV: B		Customer Accessible Production Drawing		

LOC	DIST	REV	DESCRIPTION	DATE	OWN	APVD
A	66		SEE SHEET 1			

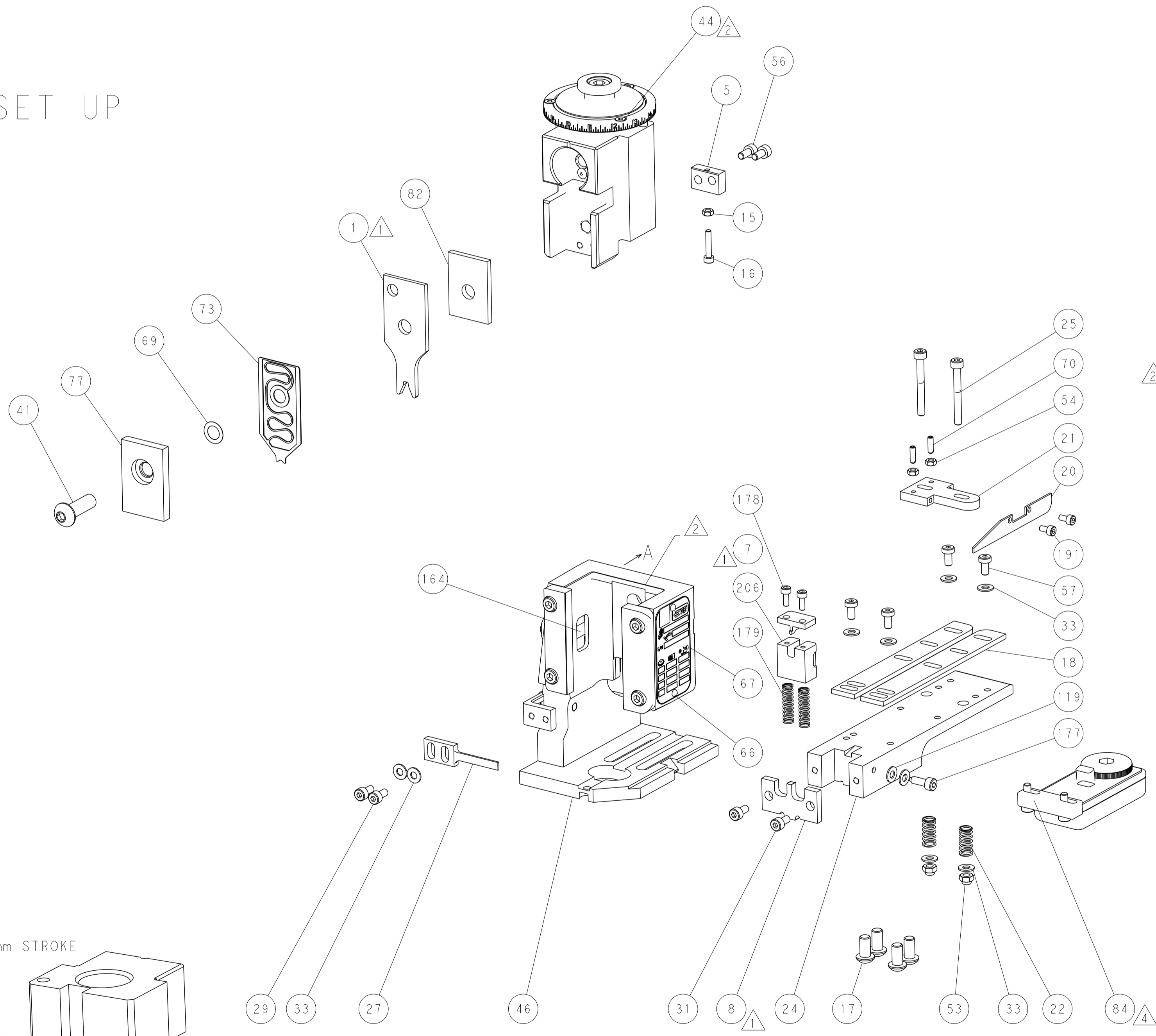
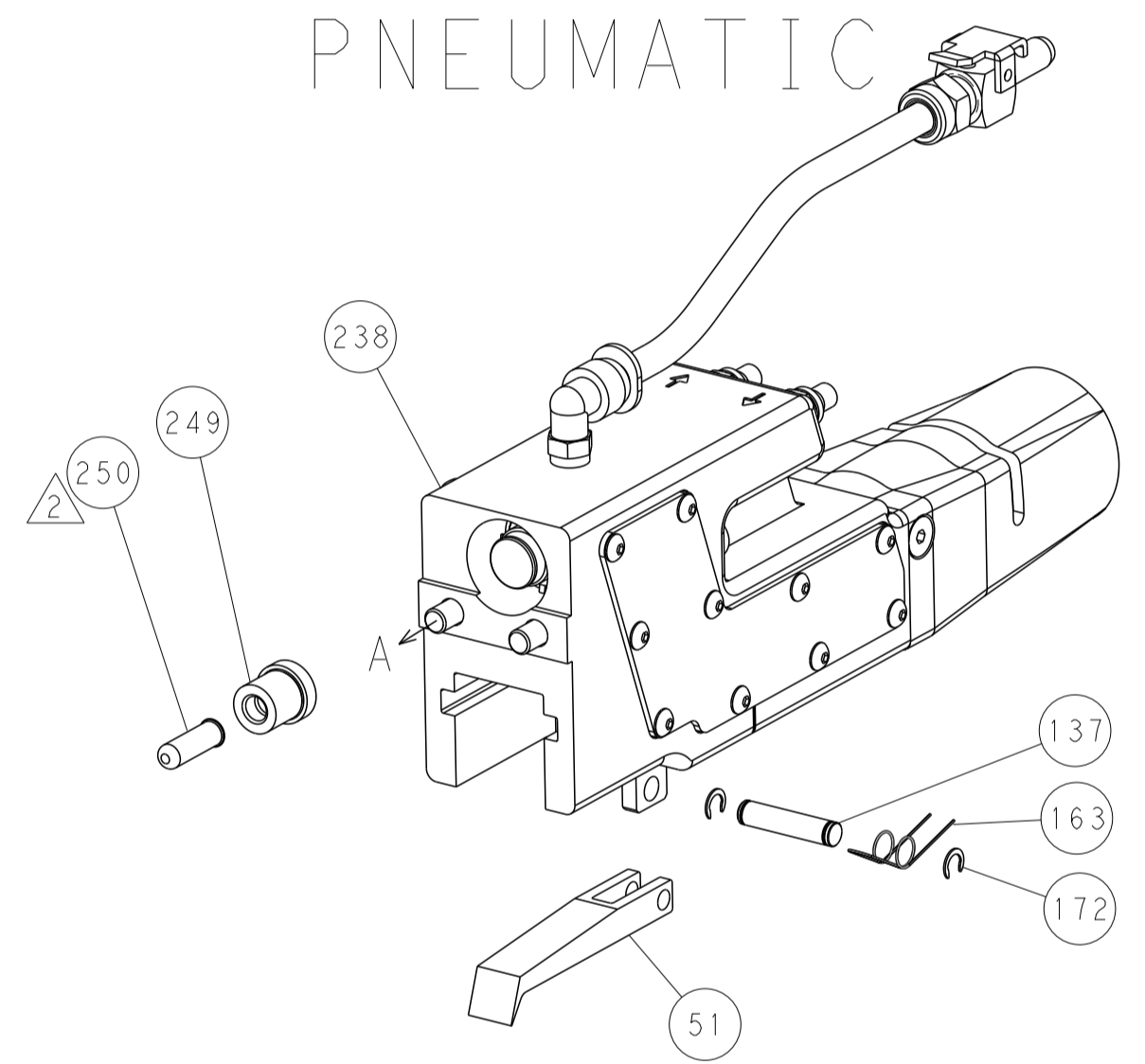


RAM SET-UP AND SHEAR TONKER SET UP

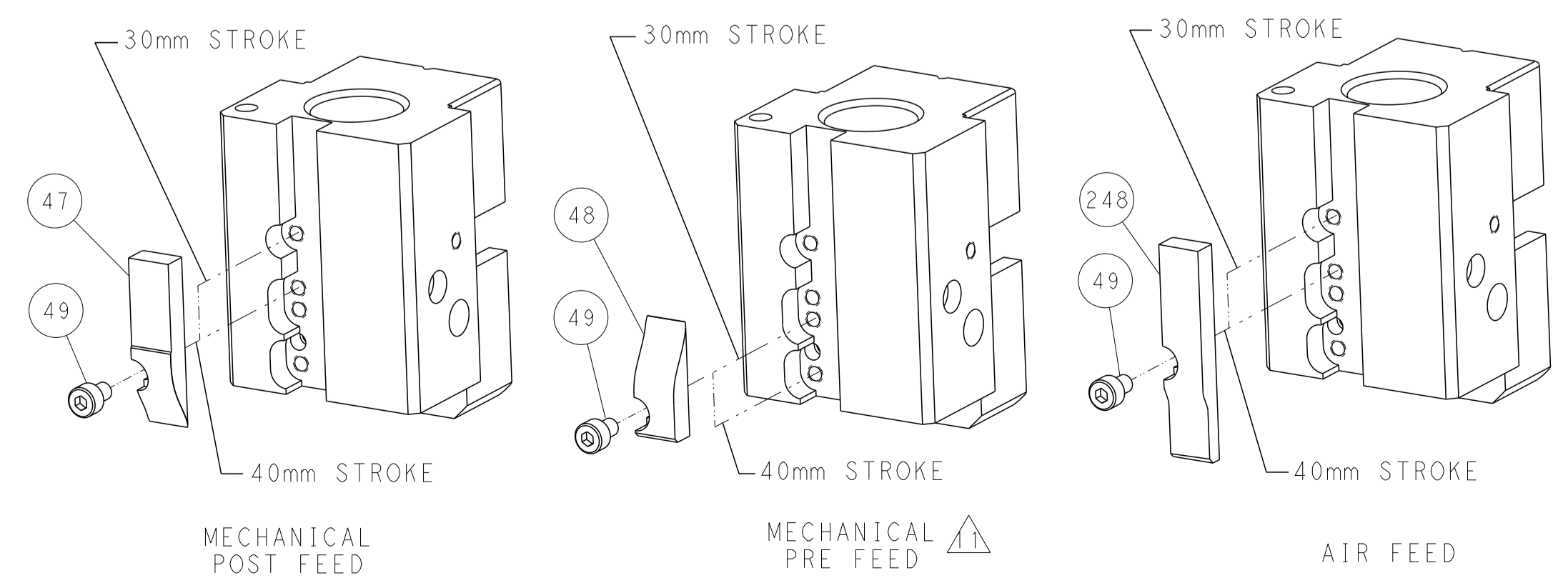
FEED TYPE  
MECHANICAL



PNEUMATIC



CAM POSITIONS

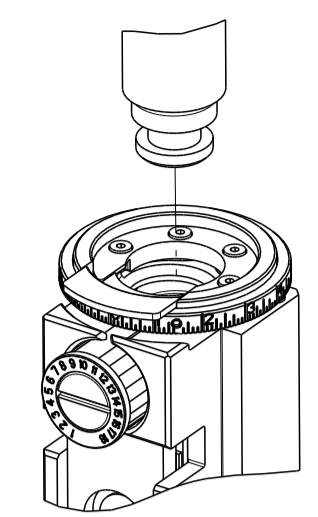


ATLANTIC VERSION  
 Shown on sheets 1 of 4 & 2 of 4  
 (Pacific version shown on sheets 3 of 4 & 4 of 4)

DIMENSIONS: mm 		TOLERANCES UNLESS OTHERWISE SPECIFIED: 0 PLC ± 1 PLC ± 2 PLC ± 3 PLC ± 4 PLC ± ANGLES ± FINISH		OWN: M_HERR 03MAR2017 CHK: T_ELBIN 03MAR2017 APVD: T_ELBIN 03MAR2017 PRODUCT SPEC: APPLICATION SPEC: WEIGHT: Customer Accessible Production Drawing		NAME: Ocean End Feed Applicator SIZE: A1 CAGE CODE: 00779 DRAWING NO: C=2150780 SCALE: 1:1 SHEET: 2 of 4 REV: B		RESTRICTED TO:	
SHEETS 3 & 4 ARE NOT REQUIRED FOR ATLANTIC VERSION									

PART NUMBER	REVISION	DESCRIPTION	FEED TYPE
2-2150780-1	B	FINE CRIMP HEIGHT ADJUST	MECHANICAL
2-2150780-2	B	FINE CRIMP HEIGHT ADJUST	PNEUMATIC
7-2150780-7	A	CRIMP TOOLING KIT	-

PACIFIC VERSION TERMINATOR INTERFACE ADAPTER



APPLICATOR DATA		
CRIMP	SIZE	TYPE
WIRE	3.30 mm [.130]	F
INSUL	-	-

APPL INSTRUCTIONS  
408-35043

TERMINAL DATA: INSINKERATOR TERMINAL TO CRIMP SPECIFICATION			
TERMINAL NAME: CLIP SPLICE			
WIRE STRIP LENGTH	INSULATION DIAMETER RANGE	TERMINAL APPLICATION SPECIFICATION	TERMINALS APPLIED
3.30-4.83 mm [.130-.190 IN]	∅	NONE	TE TERMINAL 2303727-1
			INSINKERATOR TERMINAL 2244

WIRE SIZE	CRIMP HEIGHT mm [INCH]	CRIMP HEIGHT REFERENCE SETTING
18 AWG	1.78+/-0.05 [.070+/-0.002]	9.1

- RECOMMENDED SPARE PARTS
- REFER TO SUPPLIED INSTRUCTION SHEET FOR CLEANING, LUBRICATION AND STORAGE OF APPLICATOR.
- CRIMP HEIGHT REFERENCE SETTING WAS THE SETTING USED WHEN THE APPLICATOR WAS QUALIFIED AT THE FACTORY. ADJUSTMENT MAY BE NECESSARY WHEN RUNNING APPLICATOR IN THE FIELD.
- TERMINAL LUBRICANT IS RECOMMENDED.
- 5. UNLESS SPECIFIED OTHERWISE TORQUE VALUES SHALL BE USED PER DOCUMENT, 101-35000.

**\*WARNING**  
 ON INSTALLATION, SET WIRE DISC TO CRIMP HEIGHT REFERENCE SETTING FOR LARGEST WIRE SIZE. CRIMP HEIGHT REFERENCE SETTINGS GREATER THAN THE VALUE SHOWN MAY CAUSE DAMAGE TO THE CRIMP TOOLING. REFER TO THE INSTRUCTION SHEET FOR PROPER SETUP AND ADJUSTMENTS.

LOC	DIST	REVISIONS					
A	66	P	LTN	DESCRIPTION	DATE	OWN	APVD
-	-	-	-	SEE SHEET 1	-	-	-

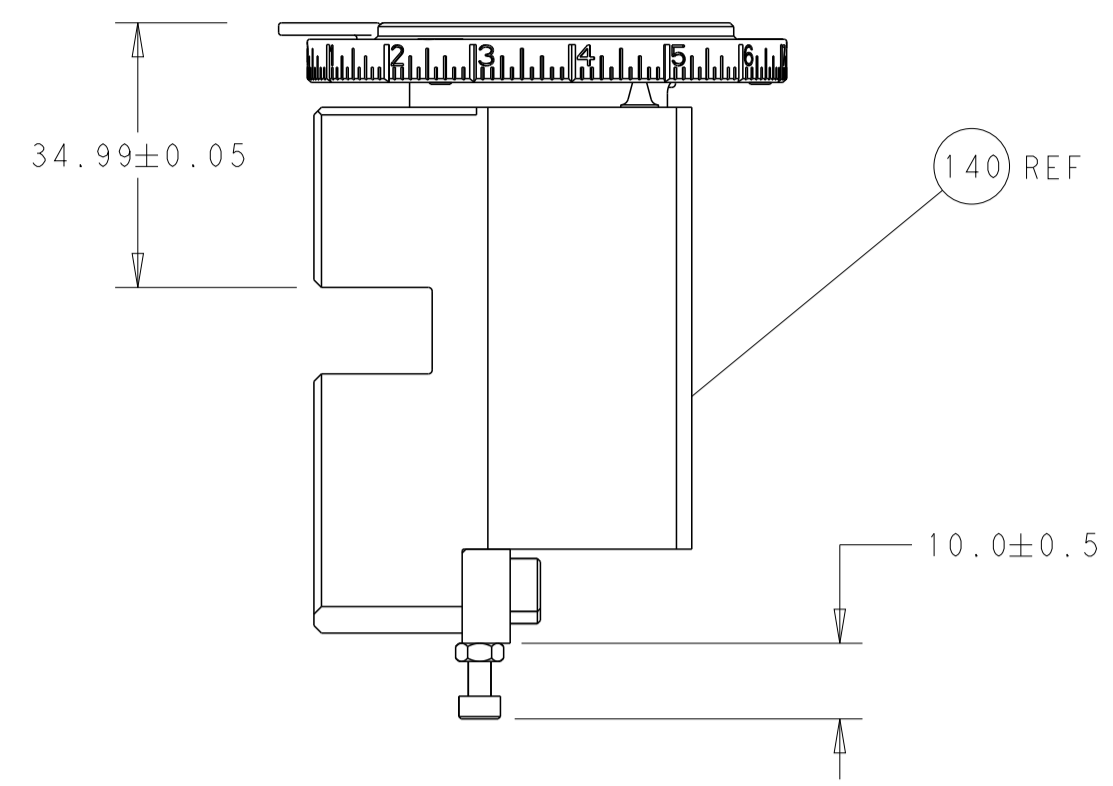
-	1	-	2119640-1	PUSH ROD, AIR FEED	250
-	1	-	1803259-1	BUSHING, FLANGED	249
-	-	1	2119580-1	MECHANICAL FEED ASSEMBLY	239
-	1	-	2063440-1	AIR FEED MODULE	238
-	1	1	1803163-3	FLOATING SHEAR HOLDER	206
-	2	2	1-2168083-1	SCR, SKT HD CAP, RoHS, M3 X 6	191
-	4	4	2079383-9	SCR, BHSC, RoHS (M6 X 20)	186
-	2	2	2-22280-0	SPRING, COMPRESSION	179
-	2	2	2168083-1	SCR, SKT HD CAP, RoHS, M3 X 8.0	178
-	1	1	356885-1	STOP, SHEAR	177
-	2	-	21045-3	RING, RETAIN, EXTERN, 3/16 CRESCENT	172
-	REFREF	-	994970-2	COUNTER, MAGNETIC	164
-	1	-	240638-1	SPRING, FEED FINGER	163
-	1	-	2119641-2	FEED CAM, AIR FEED	152
-	-	1	2119653-2	FEED CAM, POST FEED	142
-	1	1	2119655-6	APPLICATOR BASIC ASSEMBLY, EF	141
-	1	1	1803518-1	RAM ASSEMBLY, EF PACIFIC	140
-	1	-	3-23627-7	PIN, RETAIN, GRVD, 3/16 X .854	137
-	2	2	1-18028-2	WASHER, FLAT, REG M4	119
-	1	1	2119955-2	ASSY, LUBRICATOR, END FEED	84
-	1	1	3-455888-7	SPACER, CRIMPER	82
-	1	1	1803203-2	BLOCK, FRONT DEPRESSOR	77
-	1	1	2119791-5	DEPRESSOR, WIRE	73
-	1	1	1803607-2	DOCUMENTATION PACKAGE	71
-	2	2	2-18032-2	SCR, SET, FLT PNT, M3 X 10.0	70
-	1	1	2119943-1	WASHER, SPACER	69
-	1	1	2119740-1	TAG, IDENTIFICATION	67
-	2	2	2168078-1	SCREW, DRIVE, RH, RoHS, 2 x .188	66
-	-	1	5-18022-5	SCR, HEX HD CAP, M4 X 6.0	59
-	-	1	2063961-1	FEED FINGER	58
-	4	4	2168400-4	SHCS, LOW HEAD, RoHS, M4 X 8	57
-	2	2	2168083-2	SCR, SKT HD CAP, RoHS, M4 X 8.0	56
-	2	2	5018030-1	NUT, HEX, REG, RoHS, M3	54
-	2	2	986965-8	NUT, LOCK, HEX, TORQUE (M4)	53
-	1	-	2119792-1	PAWL, EF, AIR	51
-	1	2	18023-9	SCR, SKT HD CAP M4 X 6.0	49
-	-	1	2119652-1	FEED CAM, PRE FEED	48
-	1	1	1803602-1	SCR, BHSC, RoHS (M8 X 25)	41
-	8	8	1-18028-2	WASHER, FLAT, REG M4	33
-	2	2	2168083-2	SCR, SKT HD CAP, RoHS, M4 X 8.0	31
-	2	2	2168083-2	SCR, SKT HD CAP, RoHS, M4 X 8.0	29
-	1	1	468281-6	STRIPPER	27
-	2	2	1-2168083-6	SCR, SKT HD CAP, RoHS, M4 X 35	25
-	1	1	1803162-1	PLATE, STRIP GUIDE	24
-	2	2	2-22281-3	SPRING, COMPRESSION	22
-	1	1	1633168-1	ARM, STOCK DRAG	21
-	1	1	464452-2	DRAG, STOCK	20
-	2	2	1-1901259-8	GUIDE, LOWER STRIP	18
-	1	1	1-2168083-3	SCR, SKT HD CAP, RoHS, M3 X 16	16
-	1	1	5018030-1	NUT, HEX, REG, RoHS, M3	15
-	-	-	-	-	11
-	-	-	-	-	10
-	-	-	-	-	9
-	1	1	1213862-5	ANVIL, SPLICE TYPE	8
-	1	1	1633722-3	SHEAR BLADE	7
-	-	-	-	-	6
-	1	1	690753-6	SPACER, TONKER	5
-	-	-	-	-	4
-	-	-	-	-	3
-	-	-	-	-	2
-	1	1	1803504-1	CRIMPER, WIRE	1
-	77-22-21	-	PART NO	DESCRIPTION	ITEM NO

PACIFIC VERSION  
 Shown on sheets 3 of 4 & 4 of 4  
 (Atlantic version shown on sheets 1 of 4 & 2 of 4)

DIMENSIONS:		TOLERANCES UNLESS OTHERWISE SPECIFIED:		MATERIAL:	
mm	0 PLC ±	1 PLC ±	2 PLC ±	3 PLC ±	4 PLC ±
	ANGLES ±	FINISH ±			

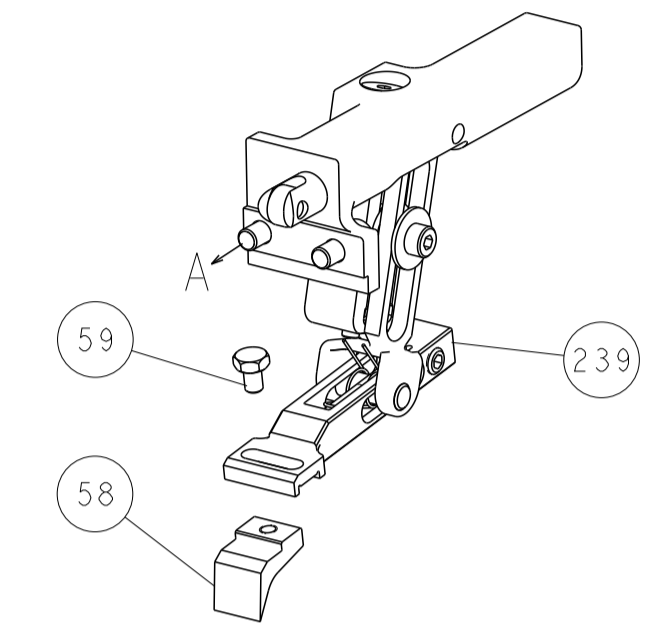
OWN	M. HERR	03MAR2017	
CHK	T. ELBIN	03MAR2017	
APVD	T. ELBIN	03MAR2017	
NAME	Ocean End Feed Applicator		
SIZE	CAGE CODE	DRAWING NO	RESTRICTED TO
A1	00779	2150780	-
Customer Accessible Production Drawing		SCALE	1:1 SHEET 3 OF 4 REV B

LOC	DIST	REV	DATE	BY	APPV
A	66				
REVISIONS			DESCRIPTION	DATE	BY
-			SEE SHEET 1	-	-

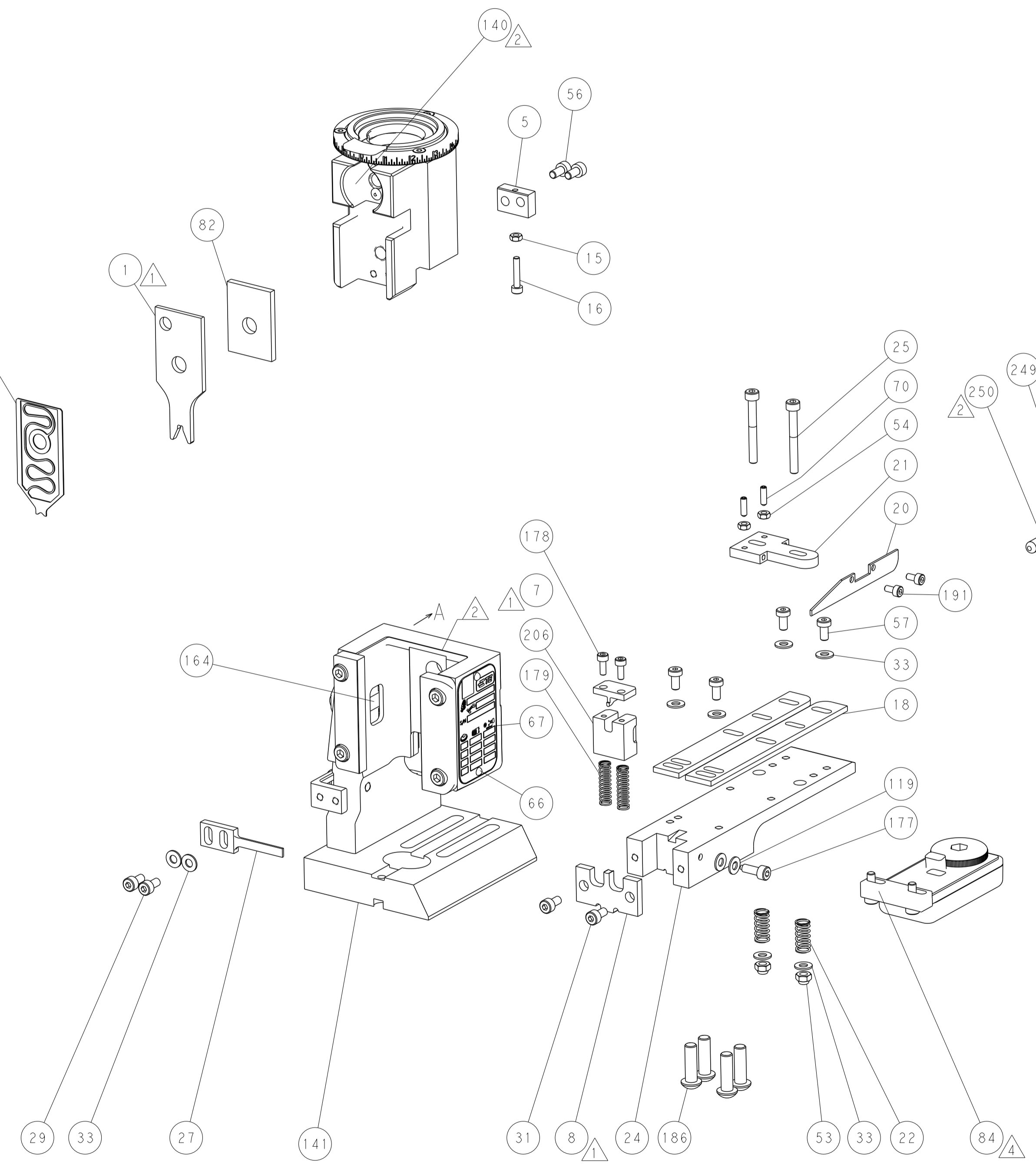
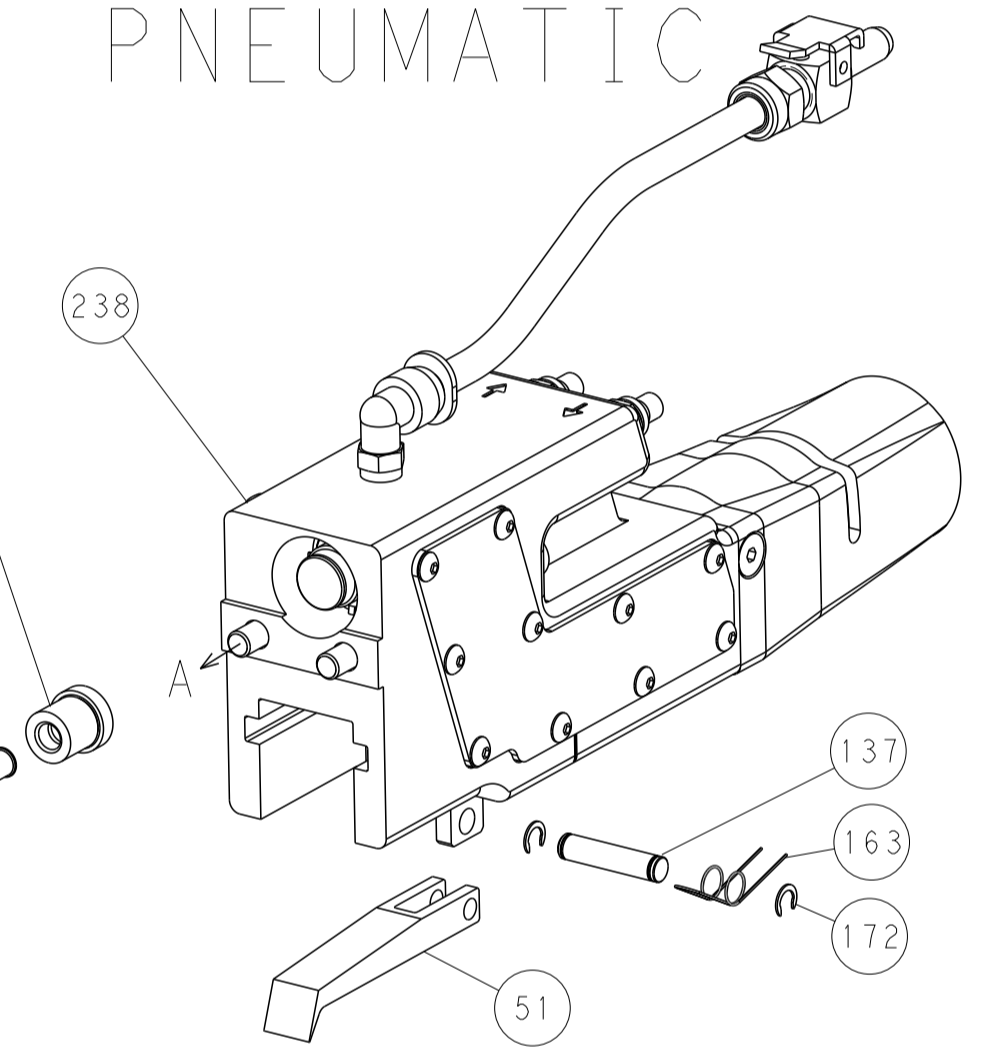


RAM AND SHEAR TONKER SET-UP

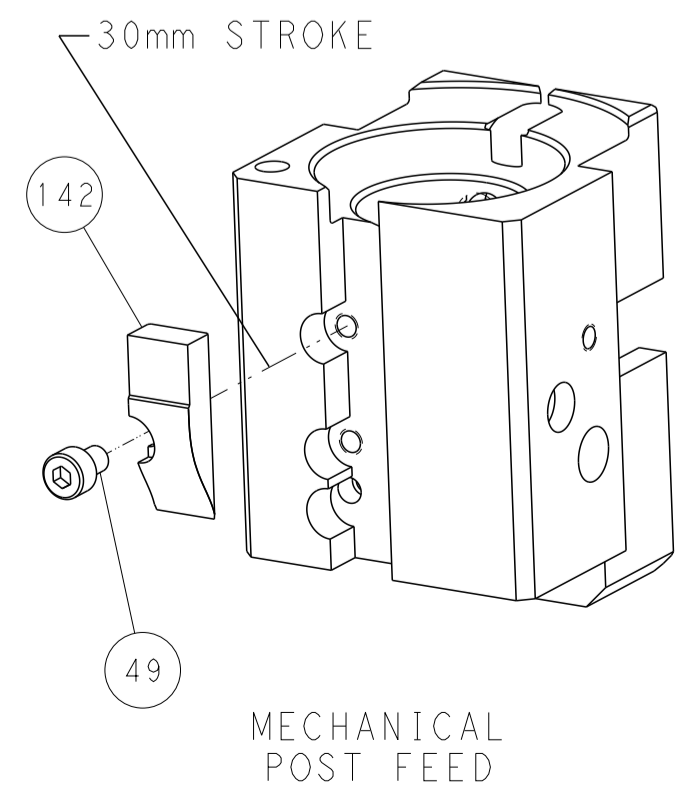
FEED TYPE  
MECHANICAL



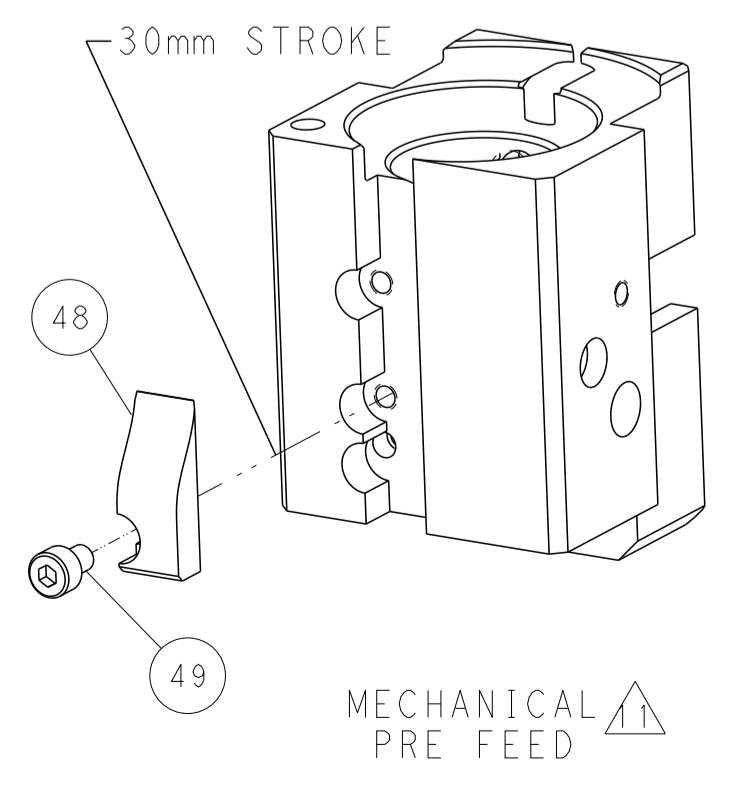
PNEUMATIC



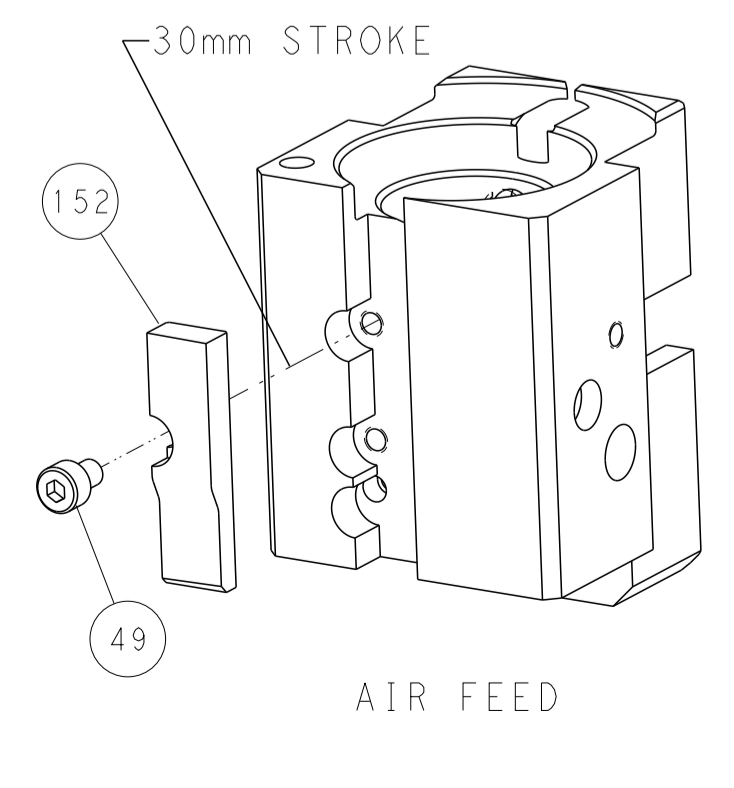
CAM POSITIONS



MECHANICAL POST FEED



MECHANICAL PRE FEED



AIR FEED

PACIFIC VERSION  
 Shown on sheets 3 of 4 & 4 of 4  
 (Atlantic version shown on sheets 1 of 4 & 2 of 4)

DIMENSIONS:		TOLERANCES UNLESS OTHERWISE SPECIFIED:		DWG: M_HERR 03MAR2017		REV: T_ELBIN 03MAR2017		NAME: Ocean End Feed Applier	
mm	0 PLC	±		SIZE	CAGE CODE	DRAWING NO	RESTRICTED TO	STE TE Connectivity Harrisburg, PA 17105-3608	
	1 PLC	±		A1	00779	2150780		Customer Accessible Production Drawing	
	2 PLC	±		SCALE	1:1	SHEET 4 OF 4	REV	B	
	3 PLC	±							
	4 PLC	±							
	ANGLES	±							
MATERIAL	FINISH								