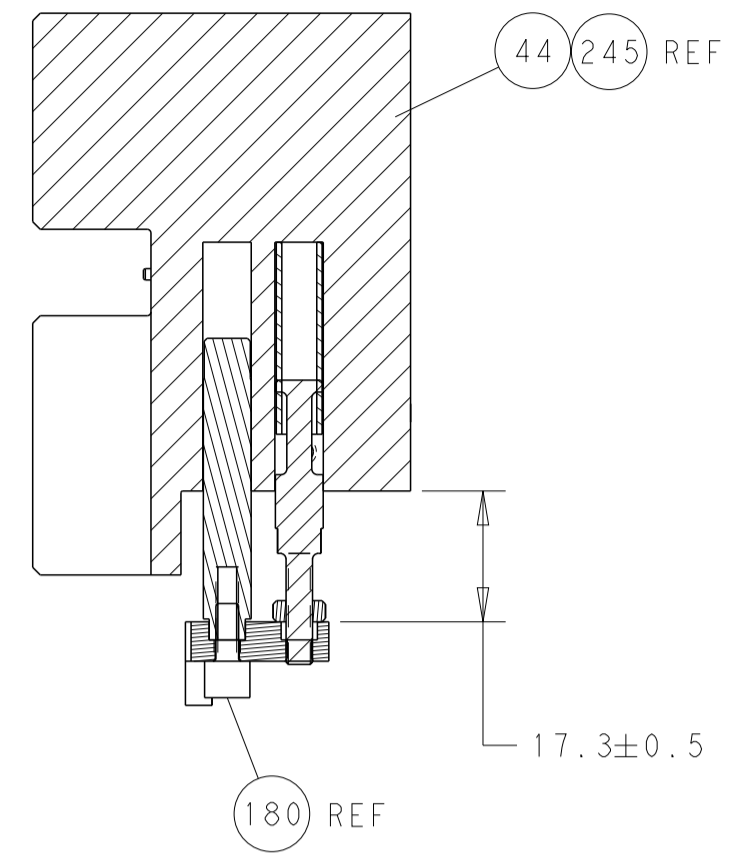
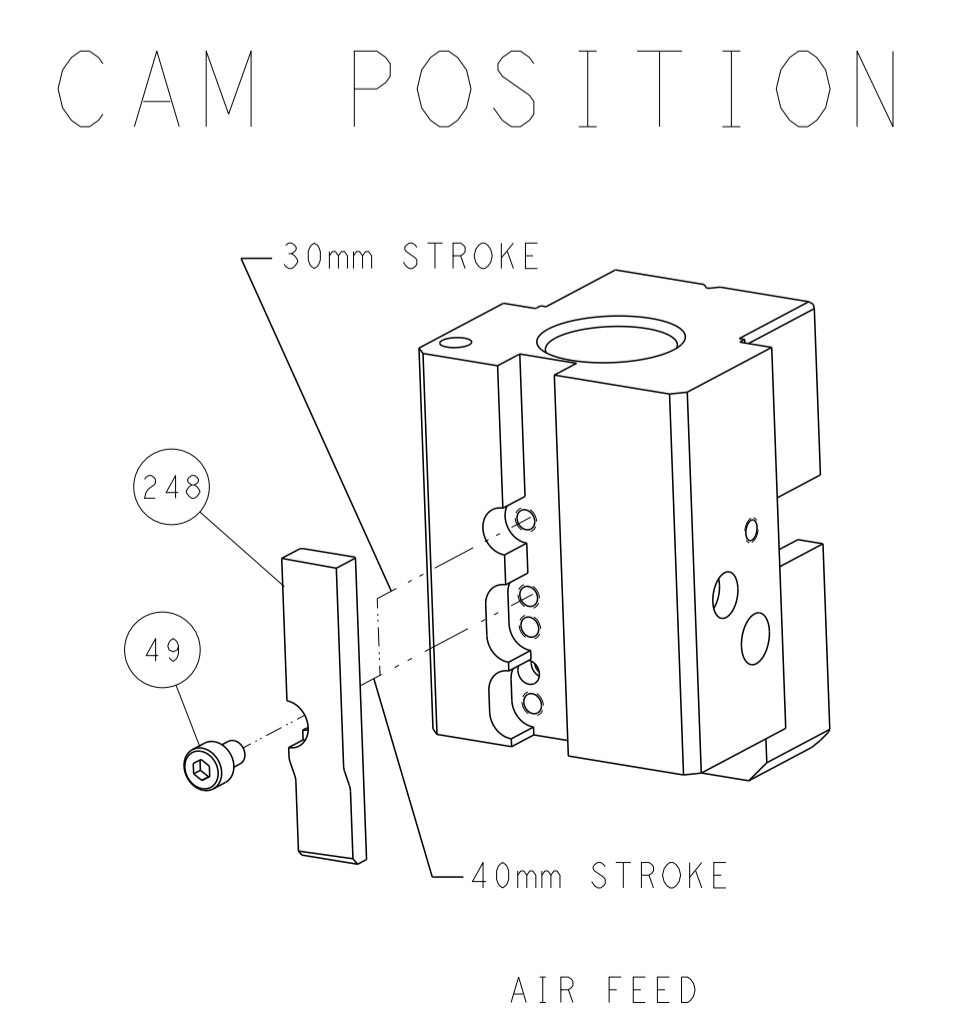
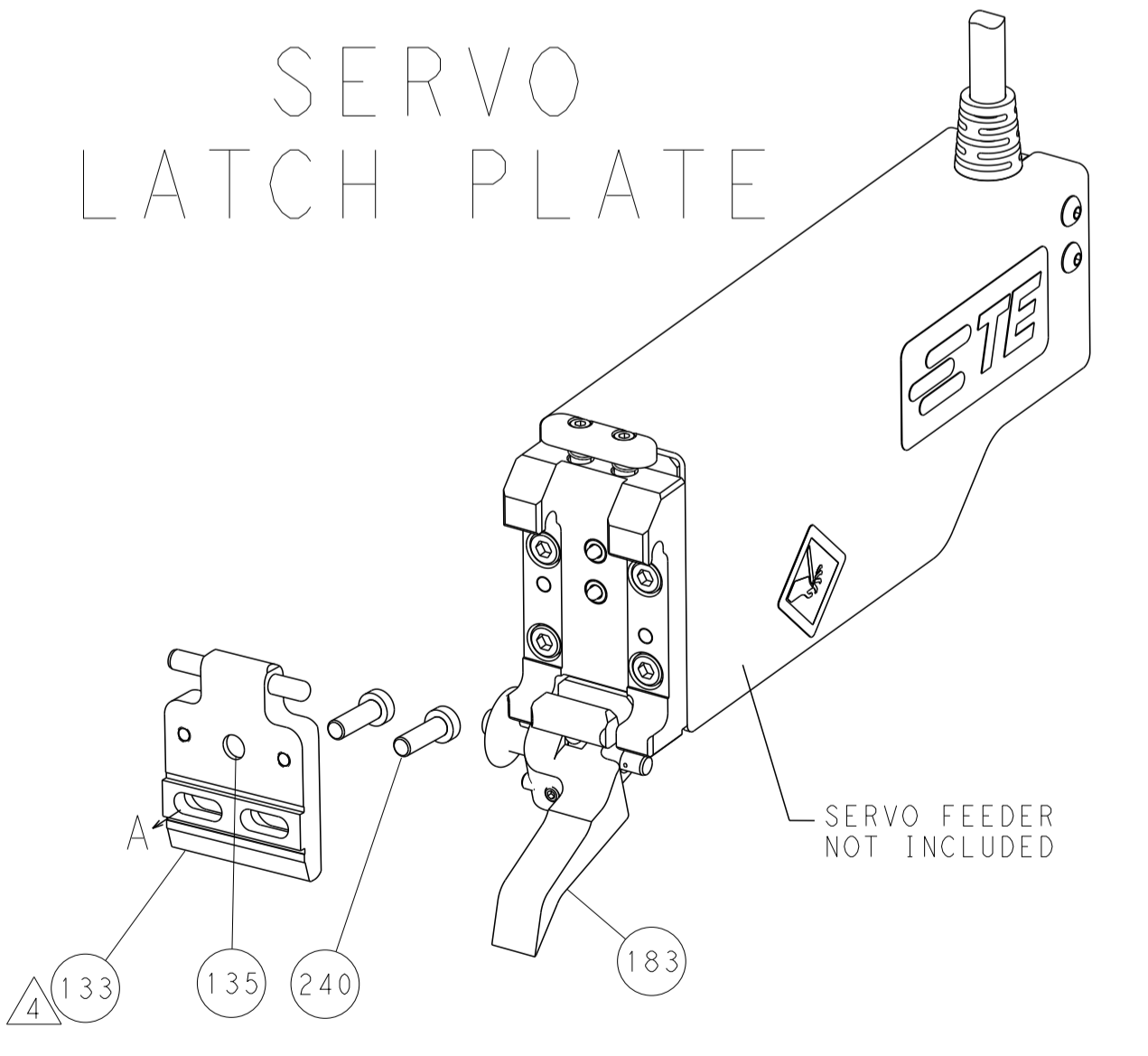
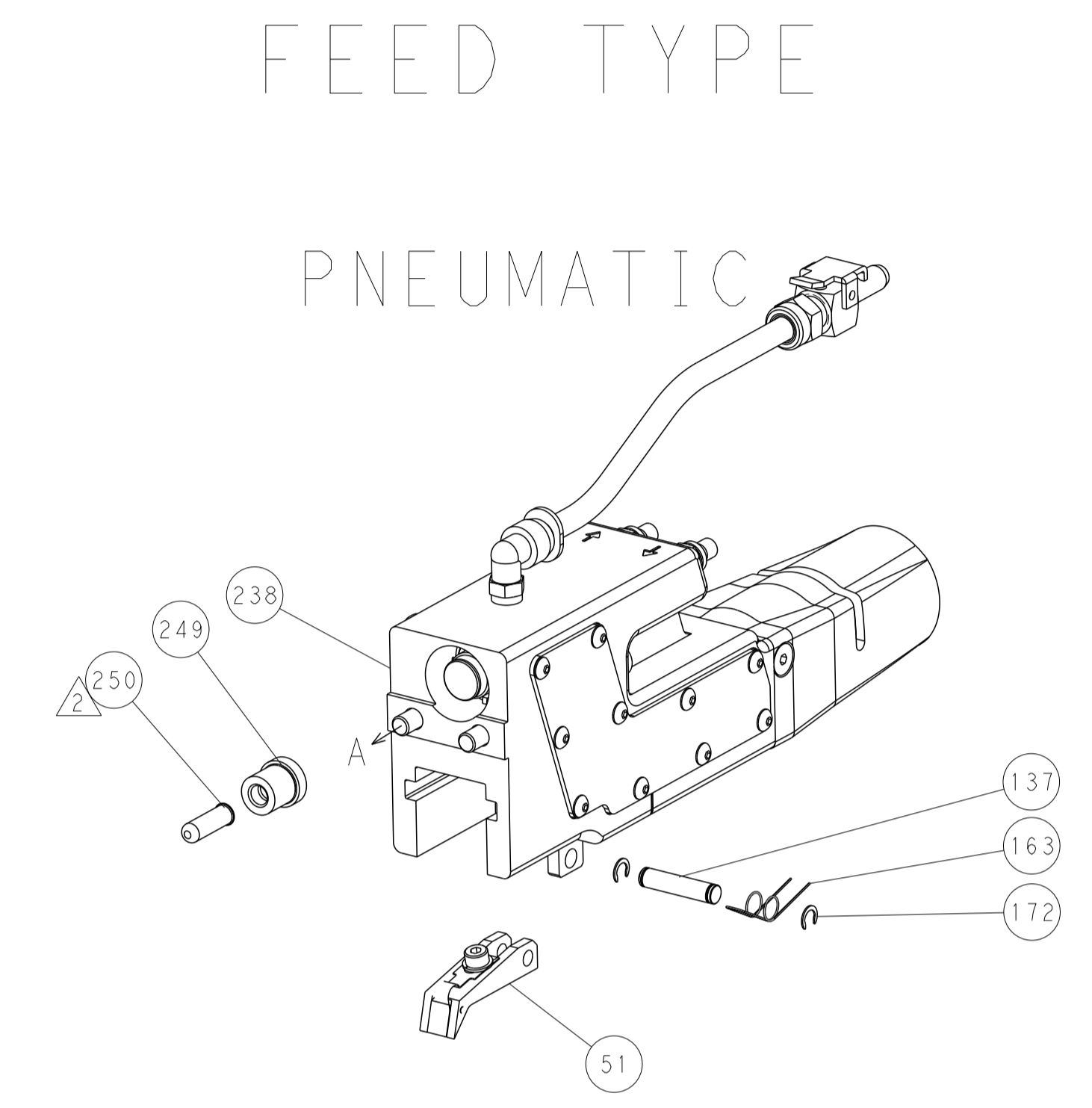
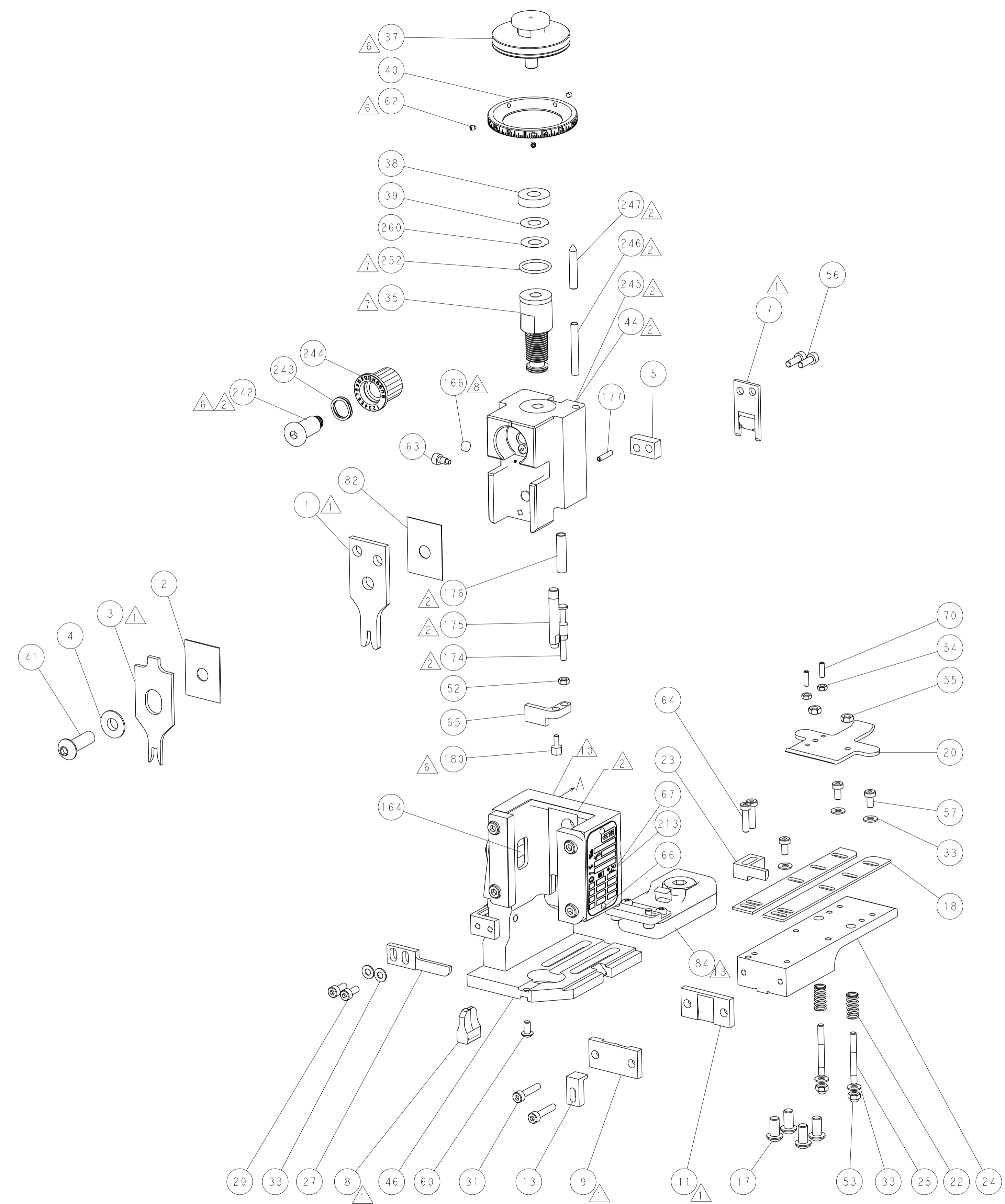




LOC	DIST	REVISIONS			
P	LTN	DESCRIPTION	DATE	OWN	APVD
A	66	SEE SHEET 1			



HOLDDOWN SET-UP



**ATLANTIC VERSION**  
 Shown on sheets 1 of 4 & 2 of 4  
 (Pacific version shown on sheets 3 of 4 & 4 of 4)

DIMENSIONS: mm 		TOLERANCES UNLESS OTHERWISE SPECIFIED: 0 PLC ± 1 PLC ± 2 PLC ± 3 PLC ± 4 PLC ± ANGLES ± FINISH ±		DWN J. HOU 06JUN2016 CHK L. ZHANG 06JUN2016 APVD L. ZHANG 06JUN2016 PRODUCT SPEC APPLICATION SPEC WEIGHT SCALE 1:1		NAME Ocean End Feed Applicator SIZE CAGE CODE DRAWING NO. RESTRICTED TO A1 00779 C=2150674 SHEET 2 OF 4 REV A	
MATERIAL:				Customer Accessible Production Drawing			

Table with 7 columns: PART NUMBER, REVISION, DESCRIPTION, FEED TYPE, CONVERT TO, PART NUMBERS REQUIRED. Contains applicator style conversion chart for Pacific Version Terminator Interface Adapter.

APPLICATOR DATA table with columns: CRIMP, SIZE, TYPE. Includes WIRE (2.29 mm), INSUL (4.06 mm), and APPL INSTRUCTIONS (408-10390).

TERMINAL DATA: STOCKO TERMINAL STOCKO CRIMP SPECIFICATION. Includes WIRE STRIP LENGTH (4.60-5.60 mm) and INSULATION DIAMETER RANGE (1.70-3.30 mm).

Table with 3 columns: WIRE SIZE, CRIMP HEIGHT mm, CRIMP HEIGHT REFERENCE SETTING. Lists wire sizes from 2 x 0.5mm to 0.50mm.



- RECOMMENDED SPARE PARTS
GREASE BEARING SURFACES LIGHTLY
LUBRICATE DAILY PER THE APPLICATOR INSTRUCTION SHEET SUPPLIED WITH THE APPLICATOR.
APPLICATOR SPECIFIC DATA TO BE ENTERED INTO BLANK MEMORY CHIP AT ASSEMBLY. SEE BELOW FOR PART NUMBER: PNEUMATIC FEED WITH "SMART APPLICATOR" CONVERSION: 8-2150674-4 SERVO FEED WITH "FINE CRIMP HEIGHT ADJUST": 8-2150674-5
ADJUSTMENT OF THE STRIPPER MAY BE REQUIRED WHEN MOVING THE APPLICATOR BETWEEN BENCH AND LEADMAKER APPLICATIONS.
APPLY PART NUMBER 1-23419-5 LOCTITE TO THREADS OF ITEMS 62 & 180. APPLY PART NUMBER 2-23419-6 LOCTITE TO THREADS OF ITEM 242.
GREASE THREADS, GROOVE AND O-RING ON ITEMS 139 & 153.
MAGNET, ITEM 166 MUST BE ORIENTED CORRECTLY IN ORDER TO PROPERLY ACTUATE THE COUNTER.
CRIMP HEIGHT REFERENCE SETTING WAS THE SETTING USED WHEN THE APPLICATOR WAS QUALIFIED AT THE FACTORY. ADJUSTMENT MAY BE NECESSARY WHEN RUNNING APPLICATOR IN THE FIELD.
TERMINAL PITCH NOT COMPATIBLE WITH MECHANICAL FEED.
ALL WIRE SIZES ARE NOT LISTED ON APPLICATOR DRAWING. SEE STOCKO SPECIFICATION FOR ADDITIONAL WIRE SIZES.
TERMINAL LUBRICANT IS RECOMMENDED.

\*WARNING
ON INSTALLATION, SET WIRE DISC, ITEM 40 TO LARGEST WIRE SIZE SETTING. USE OF SETTINGS BELOW MINIMUM REQUIRED CRIMP HEIGHT SETTING WILL CAUSE DAMAGE TO CRIMP TOOLING.

Table with 4 columns: ITEM NO, PART NO, DESCRIPTION, ITEM NO. Lists items 251 (FINE ADJUST HEAD ASM, PACIFIC STYLE) and 250 (PUSH ROD, AIR FEED).

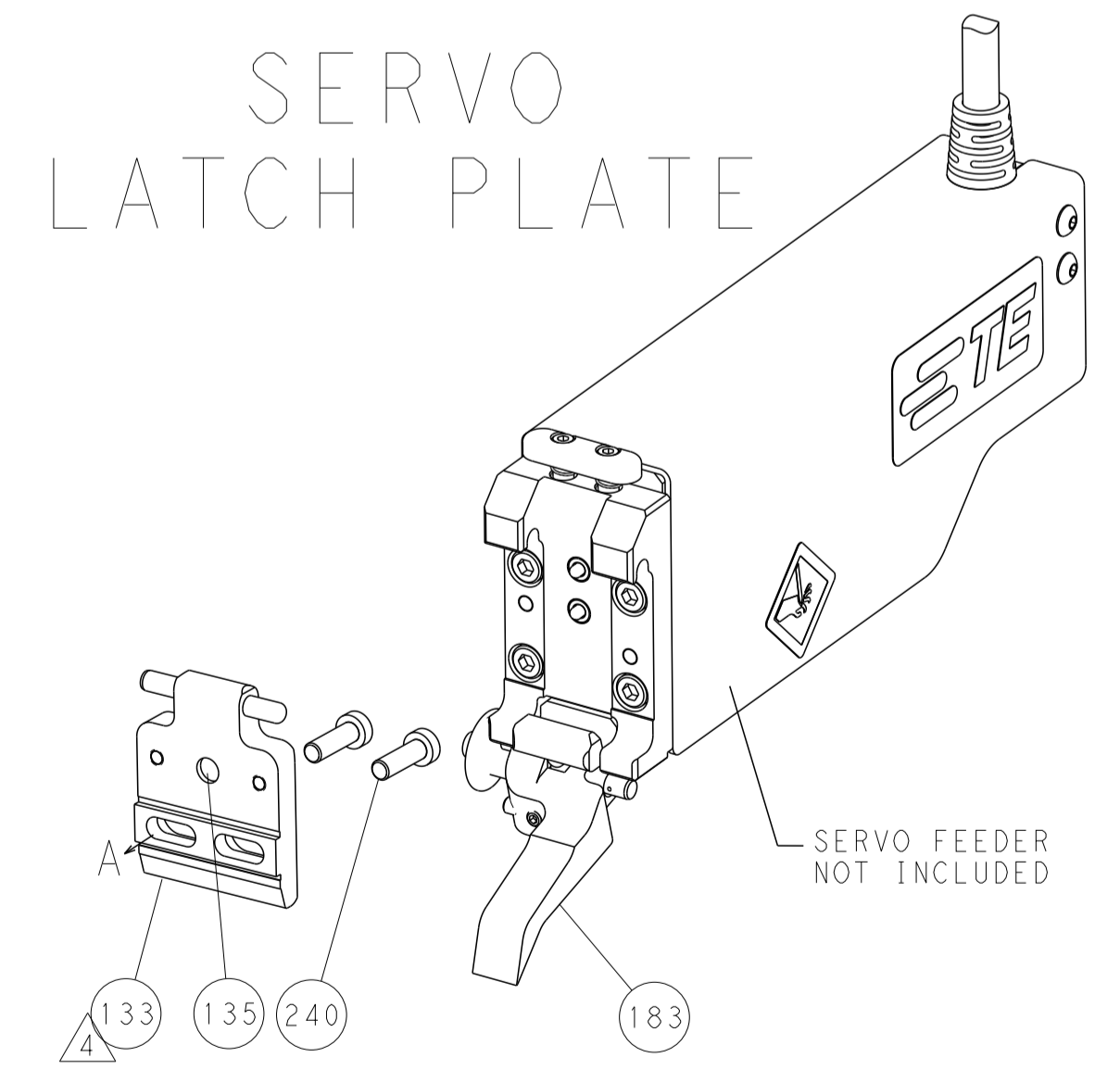
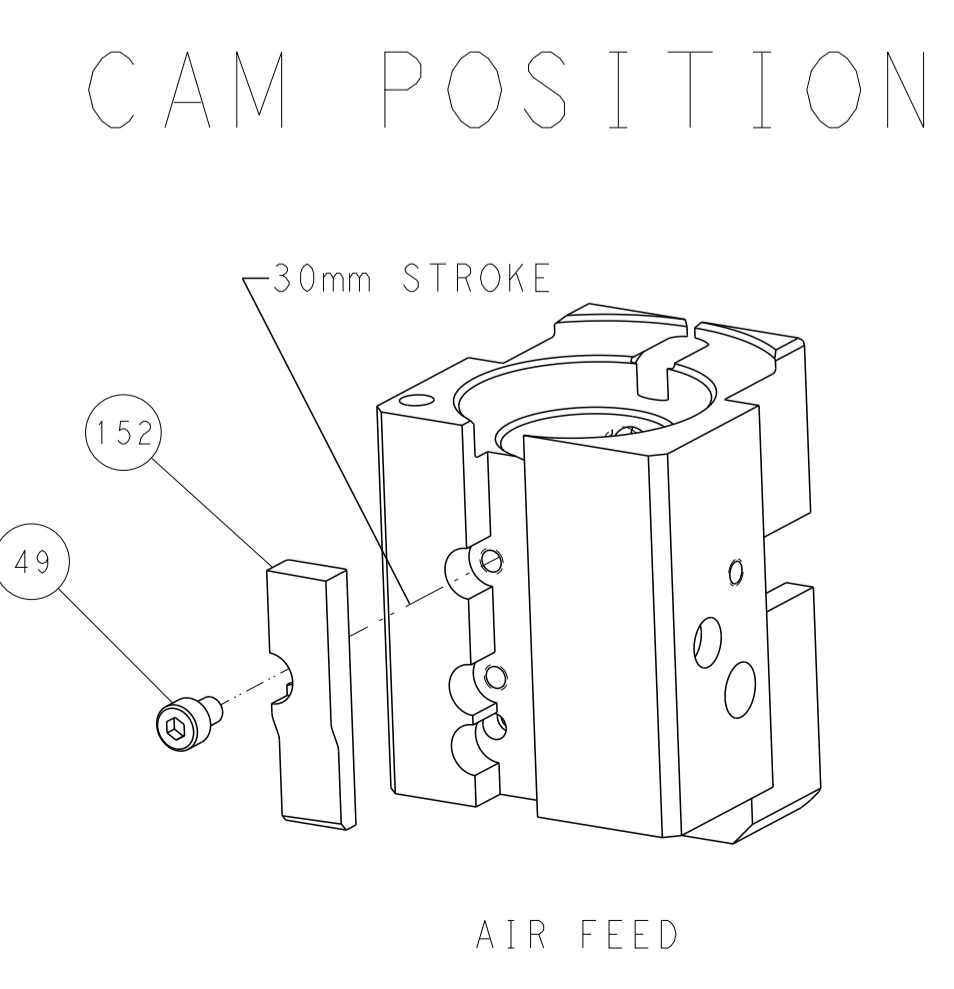
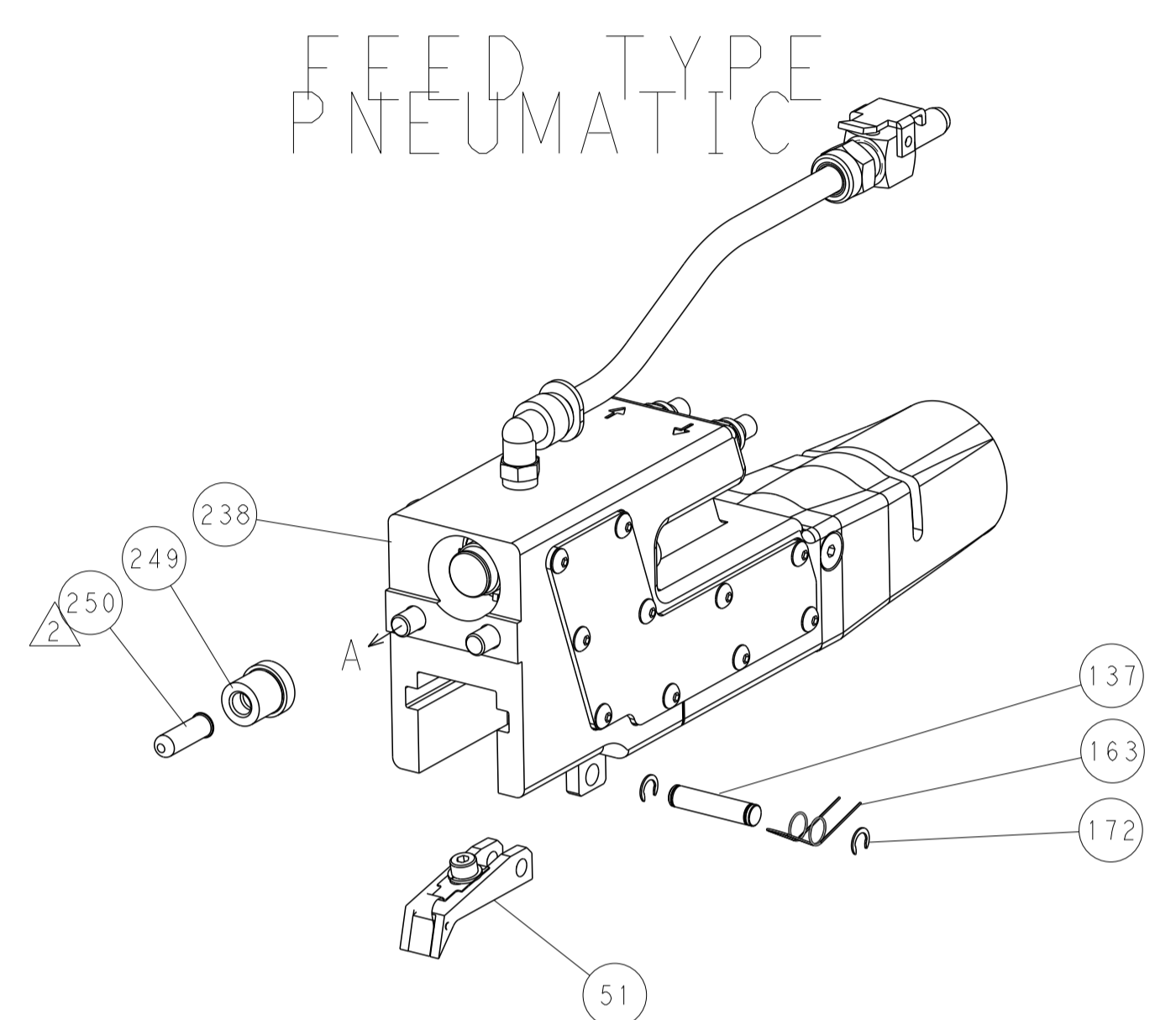
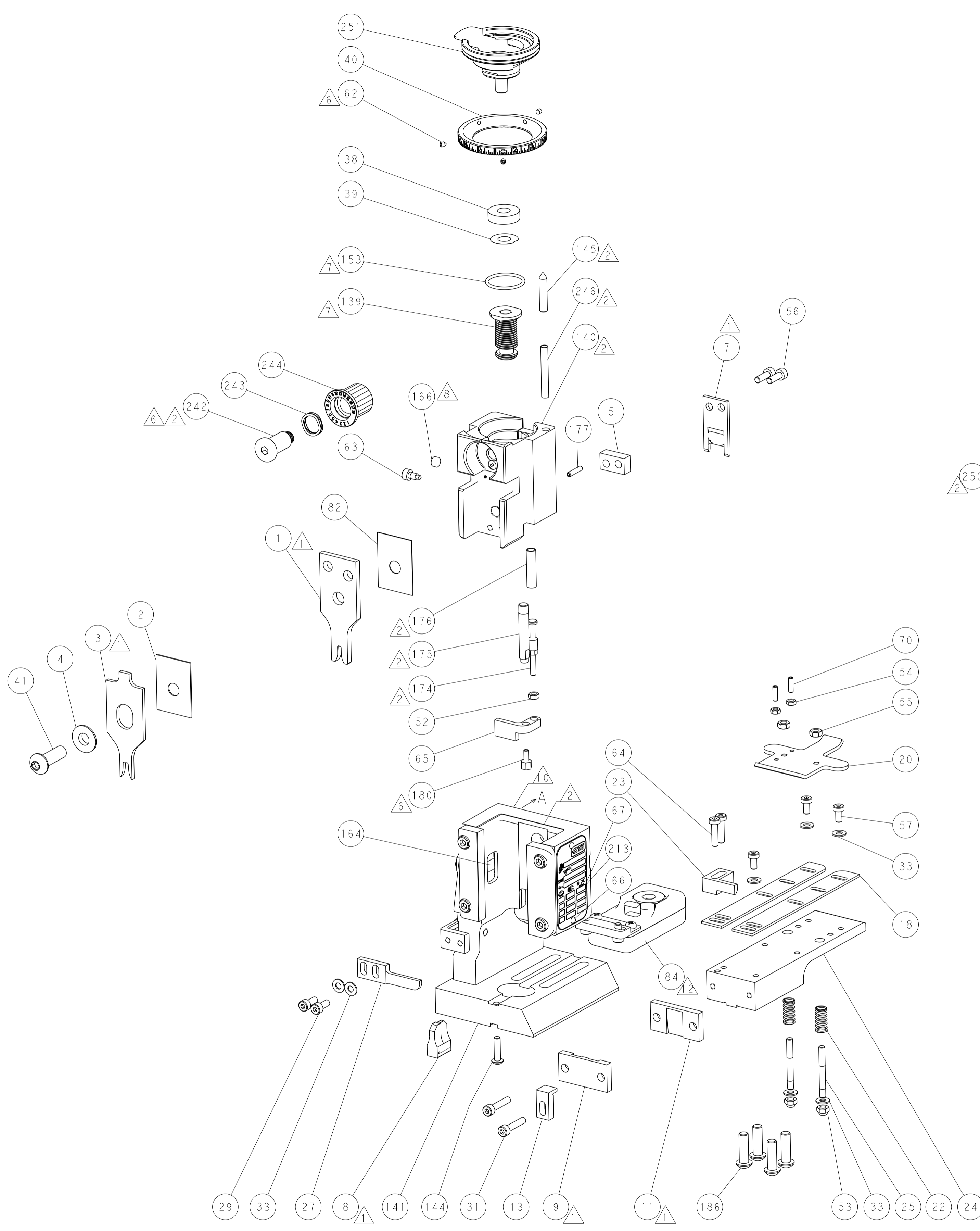
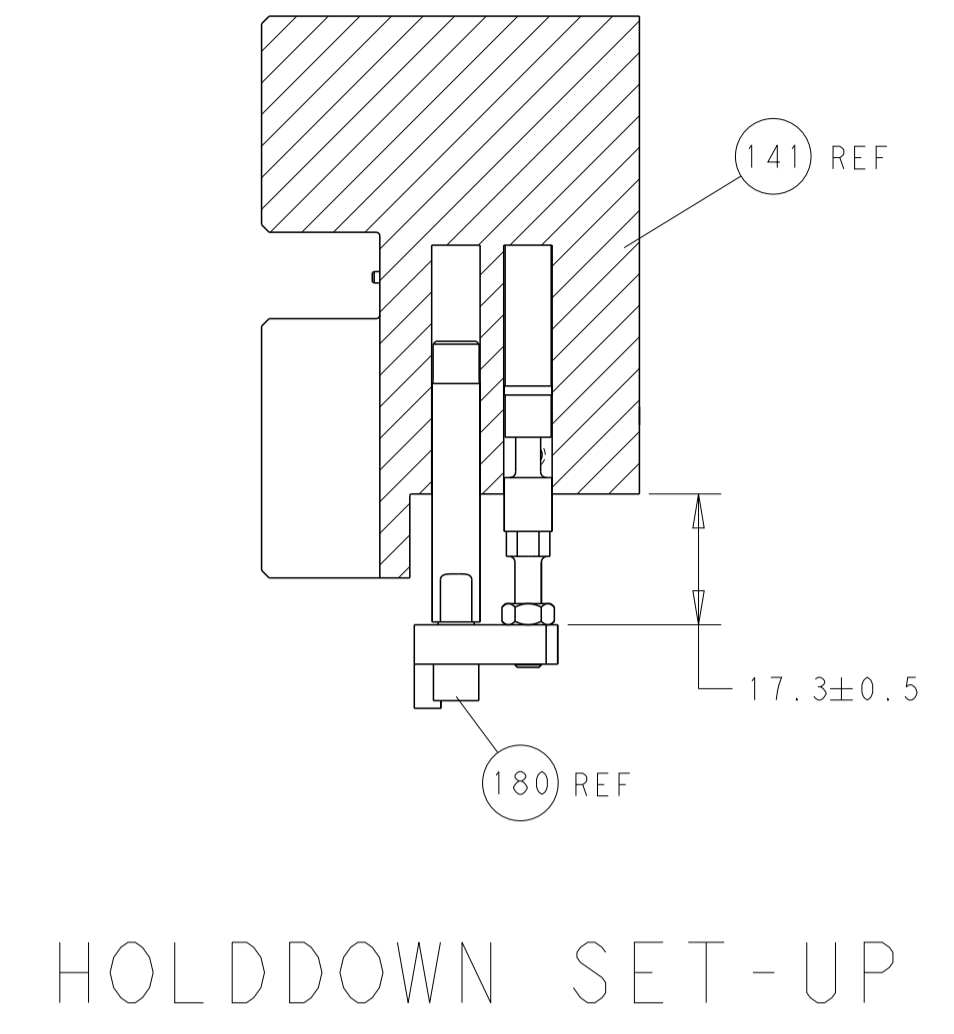
PACIFIC VERSION
Shown on sheets 3 of 4 & 4 of 4
(Atlantic version shown on sheets 1 of 4 & 2 of 4)

SET UP GAUGE LOC DIST 2119599-2 A 66. Includes REVISIONS table with columns: P, LTR, DESCRIPTION, DATE, DWG, APVD.

Large table with 10 columns: ITEM NO, PART NO, DESCRIPTION, ITEM NO. Lists various components like BUSHING, LCH5-12, MISUMI and SPRING, COMPRESSION.

TE Connectivity logo and product information for Ocean End Feed Applicator. Includes dimensions, tolerances, and drawing details.

LOC		DIST		REVISIONS			
A	66	P	LTM	DESCRIPTION	DATE	OWN	APVD
		-		SEE SHEET 1			



PACIFIC VERSION  
 Shown on sheets 3 of 4 & 4 of 4  
 (Atlantic version shown on sheets 1 of 4 & 2 of 4)

<small>THIS DRAWING IS UNPUBLISHED. RELEASED FOR PUBLICATION. ALL RIGHTS RESERVED. © 2016 BY TYCO ELECTRONICS CORPORATION. THIS DRAWING IS THE PROPERTY OF TYCO ELECTRONICS CORPORATION AND IS NOT TO BE REPRODUCED OR TRANSMITTED IN ANY FORM OR BY ANY MEANS, ELECTRONIC OR MECHANICAL, INCLUDING PHOTOCOPYING, RECORDING, OR BY ANY INFORMATION STORAGE AND RETRIEVAL SYSTEM, WITHOUT THE WRITTEN PERMISSION OF TYCO ELECTRONICS CORPORATION.</small>		DWN: J. HOU 06JUN2016 CHK: L. ZHANG 06JUN2016 APVD: L. ZHANG 06JUN2016	TE Connectivity Harrisburg, PA 17105-3608
DIMENSIONS: mm TOLERANCES UNLESS OTHERWISE SPECIFIED: 0 PLC ± 1 PLC ± 2 PLC ± 3 PLC ± 4 PLC ± ANGLES ± MATERIAL: - FINISH: -		PRODUCT SPEC: - APPLICATION SPEC: - WEIGHT: - SCALE: 1:1	NAME: Ocean End Feed Applier SIZE: A1 CAGE CODE: 00779 DRAWING NO: C-2150674 SHEET 4 OF 4 REV A