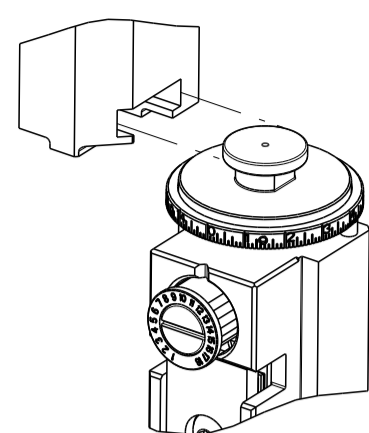


PART NUMBER	REVISION	DESCRIPTION	FEED TYPE
2150637-2	D	FINE CRIMP HEIGHT ADJUST	PNEUMATIC
7-2150637-2	D	PNEUMATIC AND CRIMP TOOLING KIT	PNEUMATIC
7-2150637-7	A	CRIMP TOOLING KIT	-

ATLANTIC VERSION TERMINATOR INTERFACE ADAPTER



APPLICATOR DATA		
CRIMP	SIZE	TYPE
WIRE	3.30 mm [.130]	F
INSUL	4.57 mm [.180]	F
APPL INSTRUCTIONS 408-35043		

TERMINAL DATA: TE TERMINAL TE CRIMP SPECIFICATION			
TERMINAL NAME: RING TONGUE			
WIRE STRIP LENGTH 4.78-5.16 mm [.188-.203 IN]	INSULATION DIAMETER RANGE Ø2.50-3.81 mm [.098-.150 IN]	8	
TERMINAL APPLICATION SPECIFICATION 114-2084	-		
TERMINALS APPLIED			
TE TERMINAL 160467-1	TE TERMINAL 160467-2	TE TERMINAL 160467-4	TE TERMINAL

WIRE SIZE	CRIMP HEIGHT mm [INCH]	CRIMP HEIGHT REFERENCE SETTING
2.50mm ²	2.64 +/- 0.05 [.104 +/- .002]	4.7
1.50mm ²	2.39 +/- 0.05 [.094 +/- .002]	7.4
1.00mm ²	2.28 +/- 0.05 [.090 +/- .002]	8.4



- RECOMMENDED SPARE PARTS
- REFER TO SUPPLIED INSTRUCTION SHEET FOR CLEANING, LUBRICATION AND STORAGE OF APPLICATOR.
- APPLY PART NUMBER 2-23419-6 LOCTITE TO THREADS OF ITEM 242.
- CRIMP HEIGHT REFERENCE SETTING WAS THE SETTING USED WHEN THE APPLICATOR WAS QUALIFIED AT THE FACTORY. ADJUSTMENT MAY BE NECESSARY WHEN RUNNING APPLICATOR IN THE FIELD.
- TERMINAL PITCH NOT COMPATIBLE WITH MECHANICAL FEED.
- UNLESS SPECIFIED OTHERWISE TORQUE VALUES SHALL BE USED PER DOCUMENT, 101-35000.
- CUT TO LENGTH AT ASSEMBLY.
- MAXIMUM INSULATION Ø3.18mm [.125 IN] FOR 2.5mm² WIRE ONLY. WIRE STRANDING WILL RESULT WITH LARGER INSULATION DIAMETER.

***WARNING**
ON INSTALLATION, SET WIRE DISC TO CRIMP HEIGHT REFERENCE SETTING FOR LARGEST WIRE SIZE. CRIMP HEIGHT REFERENCE SETTINGS GREATER THAN THE VALUE SHOWN MAY CAUSE DAMAGE TO THE CRIMP TOOLING. REFER TO THE INSTRUCTION SHEET FOR PROPER SETUP AND ADJUSTMENTS.

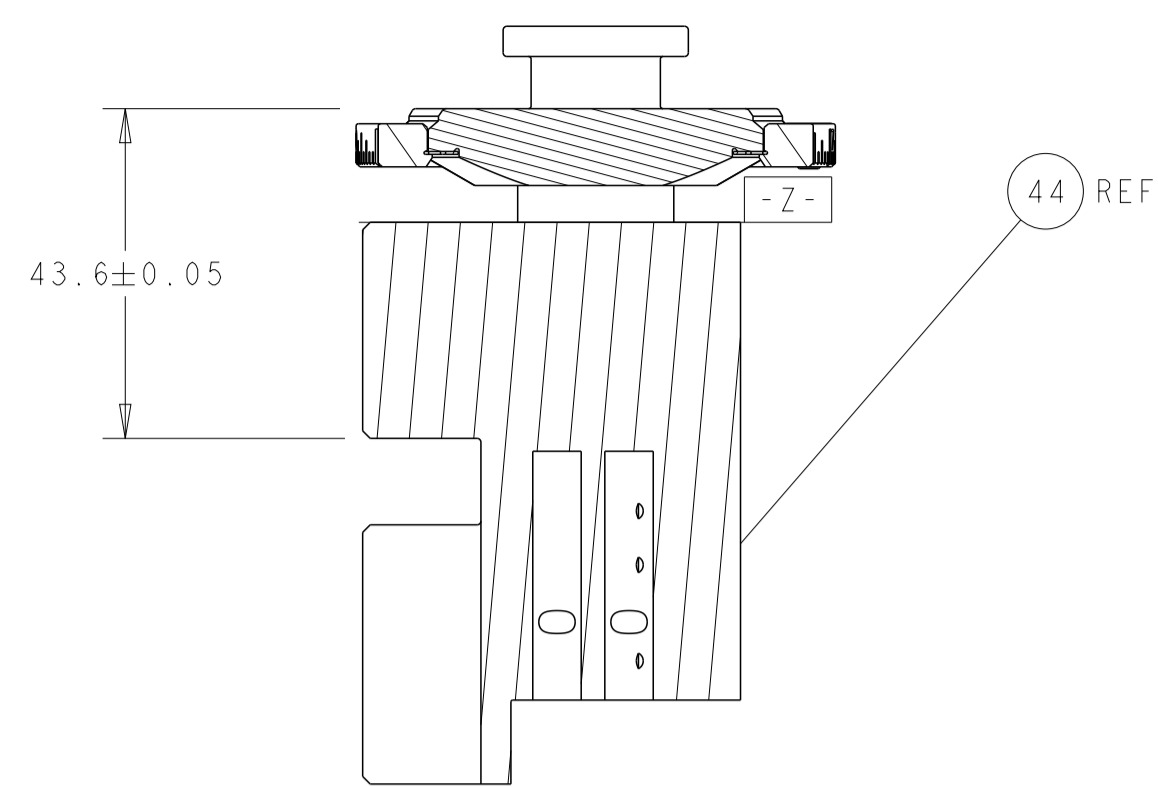
LOC	DIST	REVISIONS					
A	66	P	LTN	DESCRIPTION	DATE	OWN	APVD
		C		ECR-16-013558	22SEP2016	MR	GB
		D		ECR-21-003775	28MAR2021	TB	RR

-	1	1	2119791-5	DEPRESSOR, WIRE	286	
-	1	1	2119641-1	FEED CAM, AIR FEED	248	
-	1	1	2119082-3	CAM, SNAIL, INSULATION ADJUSTMENT	244	
-	1	1	2079764-1	WASHER, WAVE SPRING, CREST-TO-CREST	243	
-	1	1	2119083-1	RETAINER, INSULATION DIAL	242	
-	1	1	2844940-4	AIR FEED MODULE	238	
-	1	1	1803203-1	BLOCK, FRONT DEPRESSOR	185	
-	REF	REF	994970-2	COUNTER, MAGNETIC	164	
-	1	1	455888-4	SPACER, CRIMPER	120	
-	1	1	455888-4	SPACER, CRIMPER	82	
-	1	1	2119791-5	DEPRESSOR, WIRE	73	
-	1	1	1803607-4	DOCUMENTATION PACKAGE	71	
-	2	2	2-18032-2	SCR, SET, FLT PNT, M3 X 10.0	70	
-	1	1	2119943-1	WASHER, SPACER	69	
-	1	1	2119740-1	TAG, IDENTIFICATION	67	
-	2	2	2168078-1	SCREW, DRIVE, RH, RoHS, 2 x .188	66	
-	1	1	2168083-2	SCR, SKT HD CAP, RoHS, M4 X 8.0	60	
-	1	1	5-18022-5	SCR, HEX HD CAP, M4 X 6.0	59	
-	4	4	2168400-4	SHCS, LOW HEAD, RoHS, M4 X 8	57	
-	2	2	1-2168083-2	SCR, SKT HD CAP, RoHS, M4 X 25	56	
-	2	2	5018030-1	NUT, HEX, REG. RoHS, M3	54	
-	2	2	986965-8	NUT, LOCK, HEX, TORQUE (M4)	53	
-	1	1	2063961-1	FEED FINGER	51	
-	1	1	18023-9	SCR, SKT HD CAP M4 X 6.0	49	
-	1	1	1-2119655-3	APPLICATOR BASIC ASSEMBLY, EF	46	
-	1	1	1803517-1	RAM ASSEMBLY, EF ATLANTIC	44	
-	1	1	1803602-1	SCR, BHSC, RoHS (M8 X 25)	41	
-	8	8	1-18028-2	WASHER, FLAT, REG M4	33	
-	2	2	2168083-9	SCR, SKT HD CAP, RoHS, M4 X 20	31	
-	2	2	2168083-2	SCR, SKT HD CAP, RoHS, M4 X 8.0	29	
-	1	1	240639-1	STRIPPER (MACHINING)	27	
-	2	2	1-2168083-5	SCR, SKT HD CAP, RoHS, M4 X 30	25	
-	1	1	1752371-5	PLATE, STRIP GUIDE	24	
-	2	2	2-22281-3	SPRING, COMPRESSION	22	
-	1	1	1803292-4	DRAG	20	
-	1	1	2-1901696-2	STRIP GUIDE, REAR	19	
-	1	1	2-1901695-2	STRIP GUIDE, FRONT	18	
-	4	4	1-2079383-1	SCR, BHSC, RoHS (M6 X 12)	17	
-	1	1	240641-4	SPACER	16	
-	1	1	240644-1	PLATE, REAR SHEAR	11	
-	1	1	690482-5	PLATE, FRONT SHEAR	9	
-	1	2	1	9-1803001-7	ANVIL, COMBINATION, END FEED	8
-	1	1	2217206-8	BLADE, SLUG	7	
-	1	1	4-240641-4	SPACER	5	
-	1	1	238011-2	BLOCK, CRIMPER SPACER	4	
-	1	2	1	4-1633962-1	CRIMPER, INSULATION F PREMIUM	3
-	1	1	455888-4	SPACER, CRIMPER	2	
-	1	2	1	1-1803224-2	CRIMPER, WIRE	1
-	77	72	-2	PART NO	DESCRIPTION	ITEM NO

ATLANTIC VERSION
Shown on sheets 1 of 4 & 2 of 4
(Pacific version shown on sheets 3 of 4 & 4 of 4)

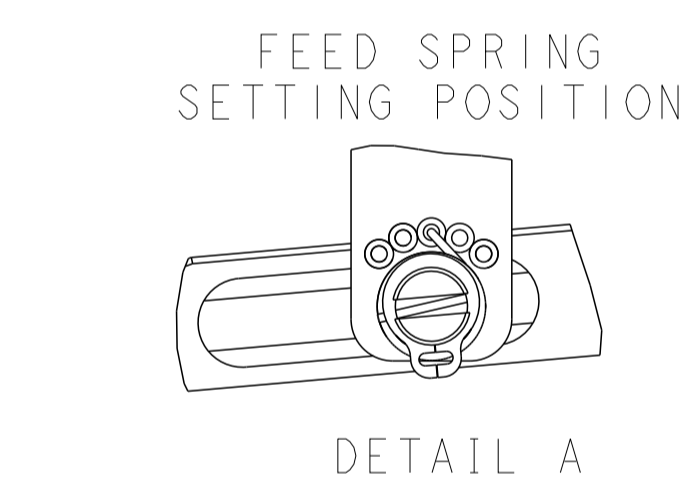
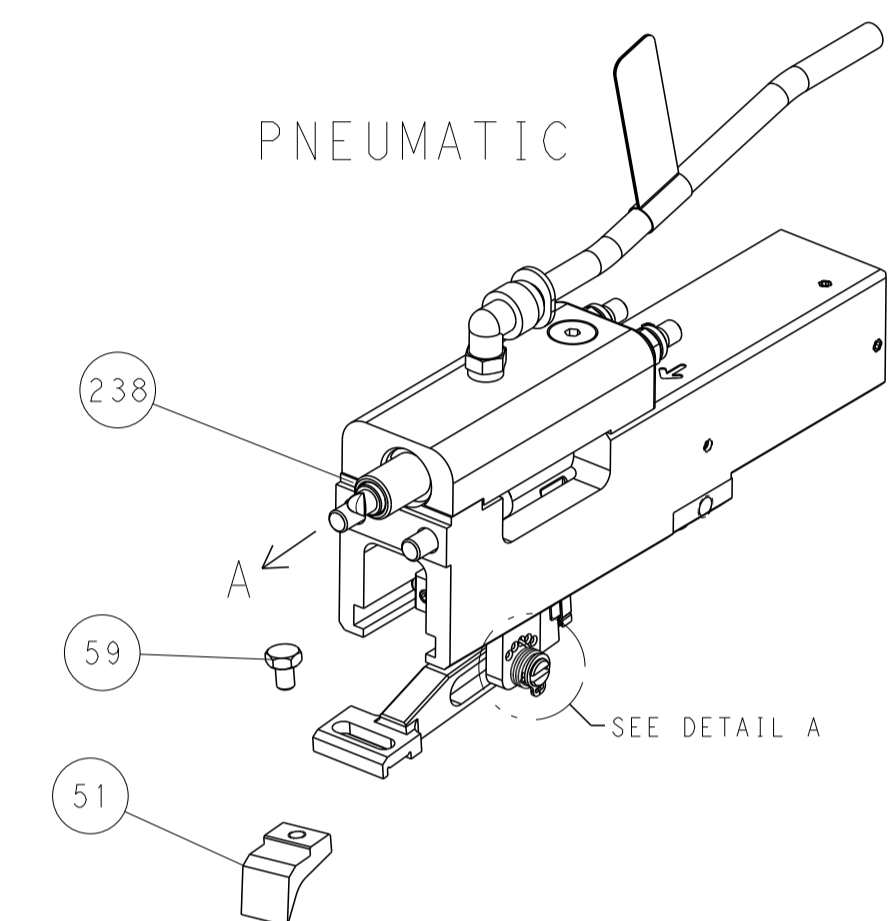
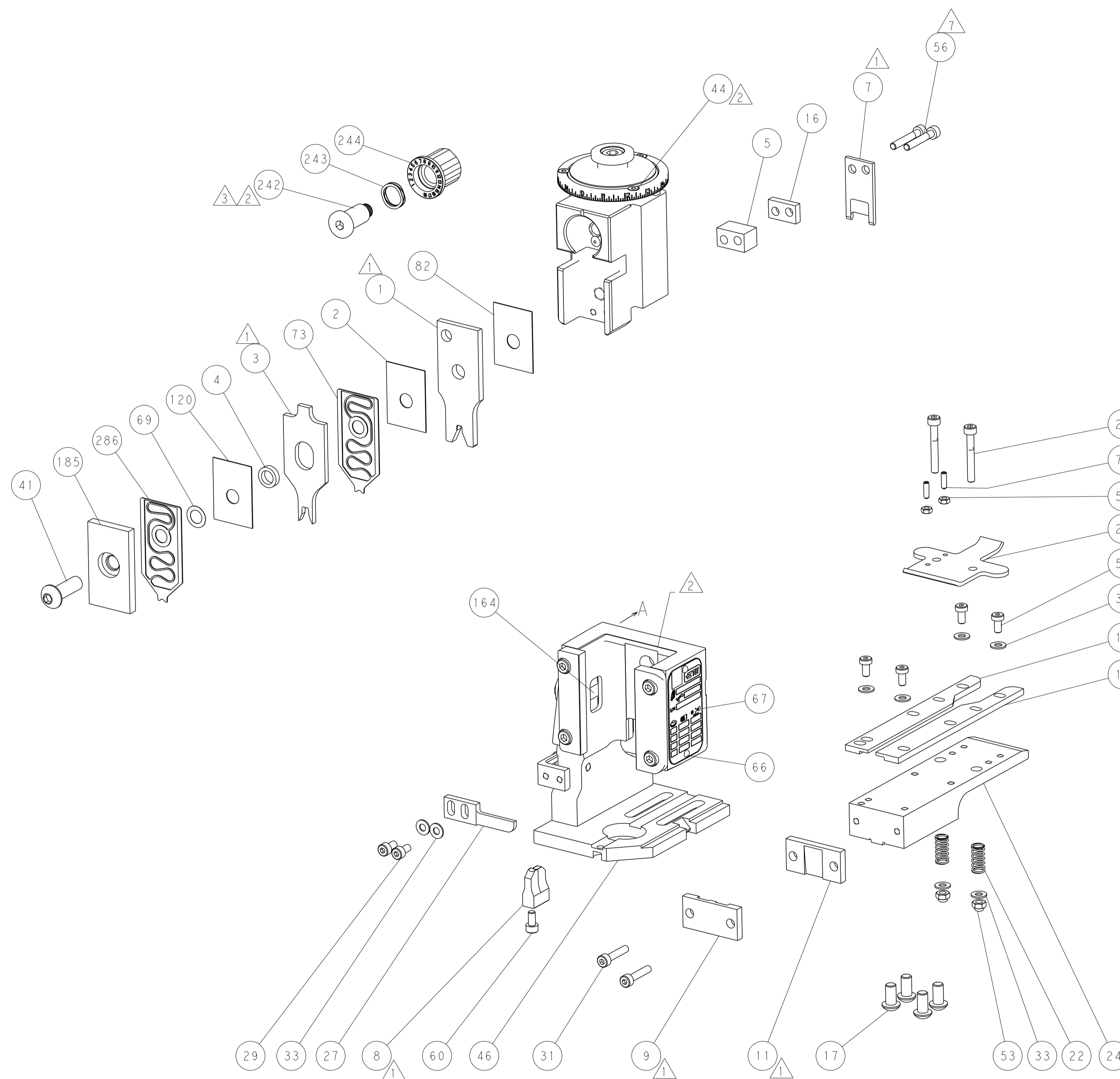
DIMENSIONS:		TOLERANCES UNLESS OTHERWISE SPECIFIED:		DWG Y. YIN 23DEC2015		TE Connectivity Harrisburg, PA 17105-3608	
mm		0 PLC ± 1 PLC ± 3 PLC ± 4 PLC ± ANGLES ± FINISH ±		CHK G. BAILEY 23DEC2015		NAME Ocean End Feed Applicator	
MATERIAL		FINISH		APVD J. GUO 23DEC2015		SIZE A1	
				PRODUCT SPEC		CAGE CODE 00779	
				APPLICATION SPEC		DRAWING NO 2150637	
				WEIGHT		RESTRICTED TO Customer Accessible Production Drawing	
				SCALE 1:1		SHEET 1 OF 4	
				REV D			

LOC	DIST	REVISIONS					
A	66	P	LTH	DESCRIPTION	DATE	DWN	APVD
		-		SEE SHEET 1	-	-	-

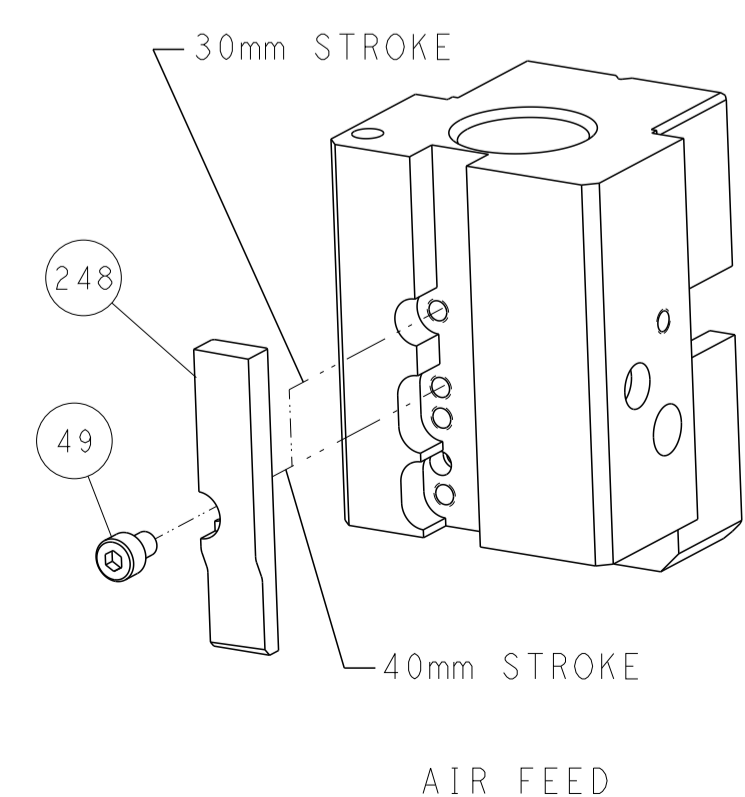


RAM SET-UP

FEED TYPE



CAM POSITION

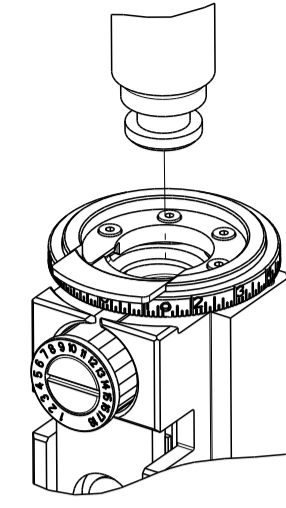


ATLANTIC VERSION
 Shown on sheets 1 of 4 & 2 of 4
 (Pacific version shown on sheets 3 of 4 & 4 of 4)

<small>THIS DRAWING IS UNPUBLISHED. RELEASED FOR PUBLICATION BY TYCO ELECTRONICS CORPORATION. ALL RIGHTS RESERVED.</small> <small>THIS DRAWING IS UNPUBLISHED. RELEASED FOR PUBLICATION BY TYCO ELECTRONICS CORPORATION. ALL RIGHTS RESERVED.</small>		DWN: Y. YIN 23DEC2015 CHK: G. BAILEY 23DEC2015 APVD: J. GUO 23DEC2015	TE Connectivity Harrisburg, PA 17105-3608
DIMENSIONS: mm TOLERANCES UNLESS OTHERWISE SPECIFIED: 0 PLC ± 1 PLC ± 2 PLC ± 3 PLC ± 4 PLC ± ANGLES ± MATERIAL: - FINISH: -		NAME: Ocean End Feed Applicator PRODUCT SPEC: - APPLICATION SPEC: - WEIGHT: - SCALE: 1:1	SIZE: A1 CAGE CODE: 00779 DRAWING NO: C=2150637 SHEET: 2 of 4 REV: D RESTRICTED TO: -
Customer Accessible Production Drawing			

PART NUMBER	REVISION	DESCRIPTION	FEED TYPE
2-2150637-2	D	FINE CRIMP HEIGHT ADJUST	PNEUMATIC
7-2150637-7	A	CRIMP TOOLING KIT	-

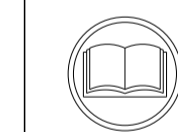
PACIFIC VERSION TERMINATOR
INTERFACE ADAPTER



APPLICATOR DATA		
CRIMP	SIZE	TYPE
WIRE	3.30 mm [.130]	F
INSUL	4.57 mm [.180]	F
APPL INSTRUCTIONS 408-35043		

TERMINAL DATA: TE TERMINAL		TE CRIMP SPECIFICATION	
TERMINAL NAME: RING TONGUE			
WIRE STRIP LENGTH 4.78-5.16 mm [.188-.203 IN]		INSULATION DIAMETER RANGE Ø2.50-3.81 mm [.098-.150 IN] 8	
TERMINAL APPLICATION SPECIFICATION 114-2084			
TERMINALS APPLIED 4			
TE TERMINAL 160467-1	TE TERMINAL 160467-2	TE TERMINAL 160467-4	TE TERMINAL

WIRE SIZE	CRIMP HEIGHT mm [INCH]	CRIMP HEIGHT REFERENCE SETTING 4
2.50mm2	2.64 +/- 0.05 [.104 +/- .002]	4.7
1.50mm2	2.39 +/- 0.05 [.094 +/- .002]	7.4
1.00mm2	2.28 +/- 0.05 [.090 +/- .002]	8.4



- RECOMMENDED SPARE PARTS
- REFER TO SUPPLIED INSTRUCTION SHEET FOR CLEANING, LUBRICATION AND STORAGE OF APPLICATOR.
- APPLY PART NUMBER 2-23419-6 LOCTITE TO THREADS OF ITEM 242.
- CRIMP HEIGHT REFERENCE SETTING WAS THE SETTING USED WHEN THE APPLICATOR WAS QUALIFIED AT THE FACTORY. ADJUSTMENT MAY BE NECESSARY WHEN RUNNING APPLICATOR IN THE FIELD.
- TERMINAL PITCH NOT COMPATIBLE WITH MECHANICAL FEED.
- UNLESS SPECIFIED OTHERWISE TORQUE VALUES SHALL BE USED PER DOCUMENT, 101-35000.
- CUT TO LENGTH AT ASSEMBLY.
- MAXIMUM INSULATION Ø3.18mm [.125 IN] FOR 2.5mm² WIRE ONLY. WIRE STRANDING WILL RESULT WITH LARGER INSULATION DIAMETER.

***WARNING**
ON INSTALLATION, SET WIRE DISC TO CRIMP HEIGHT REFERENCE SETTING FOR LARGEST WIRE SIZE. CRIMP HEIGHT REFERENCE SETTINGS GREATER THAN THE VALUE SHOWN MAY CAUSE DAMAGE TO THE CRIMP TOOLING. REFER TO THE INSTRUCTION SHEET FOR PROPER SETUP AND ADJUSTMENTS.

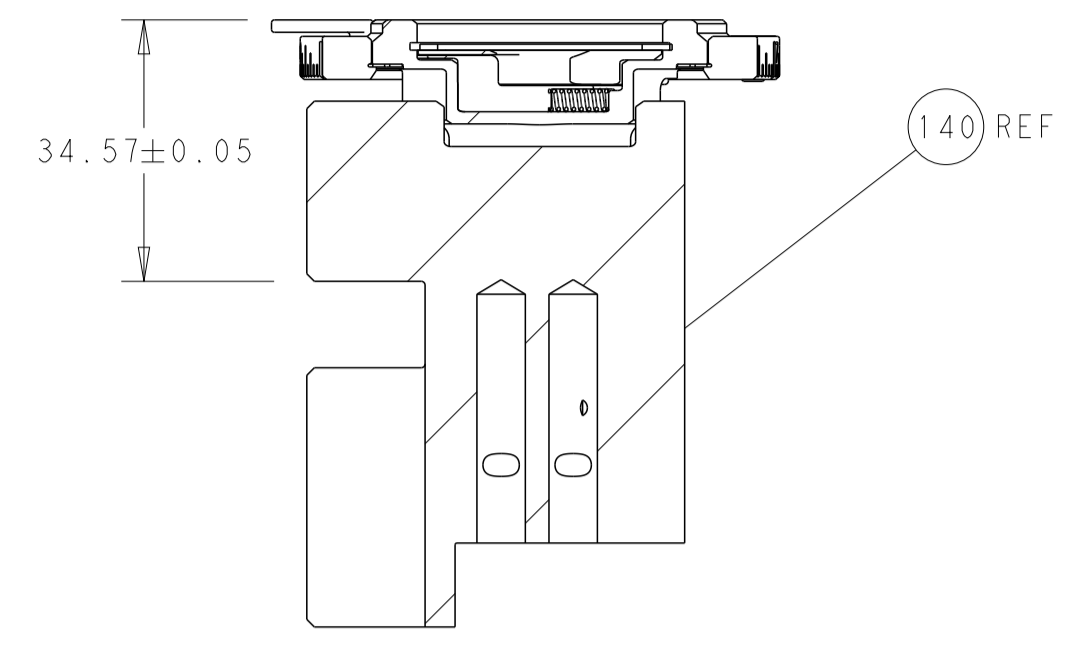
LOC	DIST	REVISIONS					
A	66	P	LTN	DESCRIPTION	DATE	OWN	APVD
-	-	-	-	SEE SHEET 1	-	-	-

-	1	2119791-5	DEPRESSOR, WIRE	286
-	1	2119082-3	CAM, SNAIL, INSULATION ADJUSTMENT	244
-	1	2079764-1	WASHER, WAVE SPRING, CREST-TO-CREST	243
-	1	2119083-1	RETAINER, INSULATION DIAL	242
-	1	2844940-4	AIR FEED MODULE	238
-	4	2079383-9	SCR, BHSC, RoHS (M6 X 20)	186
-	1	1803203-1	BLOCK, FRONT DEPRESSOR	185
-	REF	994970-2	COUNTER, MAGNETIC	164
-	1	2119641-2	FEED CAM, AIR FEED	152
-	1	2168083-8	SCR, SKT HD CAP, RoHS, M4 X 16	144
-	1	1-2119655-4	APPLICATOR BASIC ASSEMBLY, EF	141
-	1	1803518-1	RAM ASSEMBLY, EF PACIFIC	140
-	1	455888-4	SPACER, CRIMPER	120
-	1	455888-4	SPACER, CRIMPER	82
-	1	2119791-5	DEPRESSOR, WIRE	73
-	1	1803607-4	DOCUMENTATION PACKAGE	71
-	2	2-18032-2	SCR, SET, FLT PNT, M3 X 10.0	70
-	1	2119943-1	WASHER, SPACER	69
-	1	2119740-1	TAG, IDENTIFICATION	67
-	2	2168078-1	SCREW, DRIVE, RH, RoHS, 2 x .188	66
-	1	5-18022-5	SCR, HEX HD CAP, M4 X 6.0	59
-	4	2168400-4	SHCS, LOW HEAD, RoHS, M4 X 8	57
-	2	1-2168083-2	SCR, SKT HD CAP, RoHS, M4 X 25	56
-	2	5018030-1	NUT, HEX, REG, RoHS, M3	54
-	2	986965-8	NUT, LOCK, HEX, TORQUE (M4)	53
-	1	2063961-1	FEED FINGER	51
-	1	18023-9	SCR, SKT HD CAP M4 X 6.0	49
-	1	1803602-1	SCR, BHSC, RoHS (M8 X 25)	41
-	8	1-18028-2	WASHER, FLAT, REG M4	33
-	2	2168083-9	SCR, SKT HD CAP, RoHS, M4 X 20	31
-	2	2168083-2	SCR, SKT HD CAP, RoHS, M4 X 8.0	29
-	1	240639-1	STRIPPER (MACHINING)	27
-	2	1-2168083-5	SCR, SKT HD CAP, RoHS, M4 X 30	25
-	1	1752371-5	PLATE, STRIP GUIDE	24
-	2	2-22281-3	SPRING, COMPRESSION	22
-	1	1803292-4	DRAG	20
-	1	2-1901696-2	STRIP GUIDE, REAR	19
-	1	2-1901695-2	STRIP GUIDE, FRONT	18
-	1	240641-4	SPACER	16
-	1	240644-1	PLATE, REAR SHEAR	11
-	1	690482-5	PLATE, FRONT SHEAR	9
1	1	9-1803001-7	ANVIL, COMBINATION, END FEED	8
-	1	2217206-8	BLADE, SLUG	7
-	1	4-240641-4	SPACER	5
-	1	238011-2	BLOCK, CRIMPER SPACER	4
1	1	4-1633962-1	CRIMPER, INSULATION F PREMIUM	3
-	1	455888-4	SPACER, CRIMPER	2
1	1	1-1803224-2	CRIMPER, WIRE	1

DIMENSIONS:		TOLERANCES UNLESS OTHERWISE SPECIFIED:		DRAWN		DATE	
mm	0 PLC ±	1 PLC ±	2 PLC ±	3 PLC ±	Y. YIN	23DEC2015	
	4 PLC ±	ANGLES ±	FINISH ±	OTHERWISE SPECIFIED:	CHK	23DEC2015	
MATERIAL					G. BAILEY		
					U. GUO	23DEC2015	
					APVD		
					NAME		
					Ocean End Feed Applicator		
					SIZE	CAGE CODE	DRAWING NO
					A1	00779	2150637
					RESTRICTED TO		
					Customer Accessible Production Drawing	SCALE	1:1 SHEET 3 OF 4 REV D

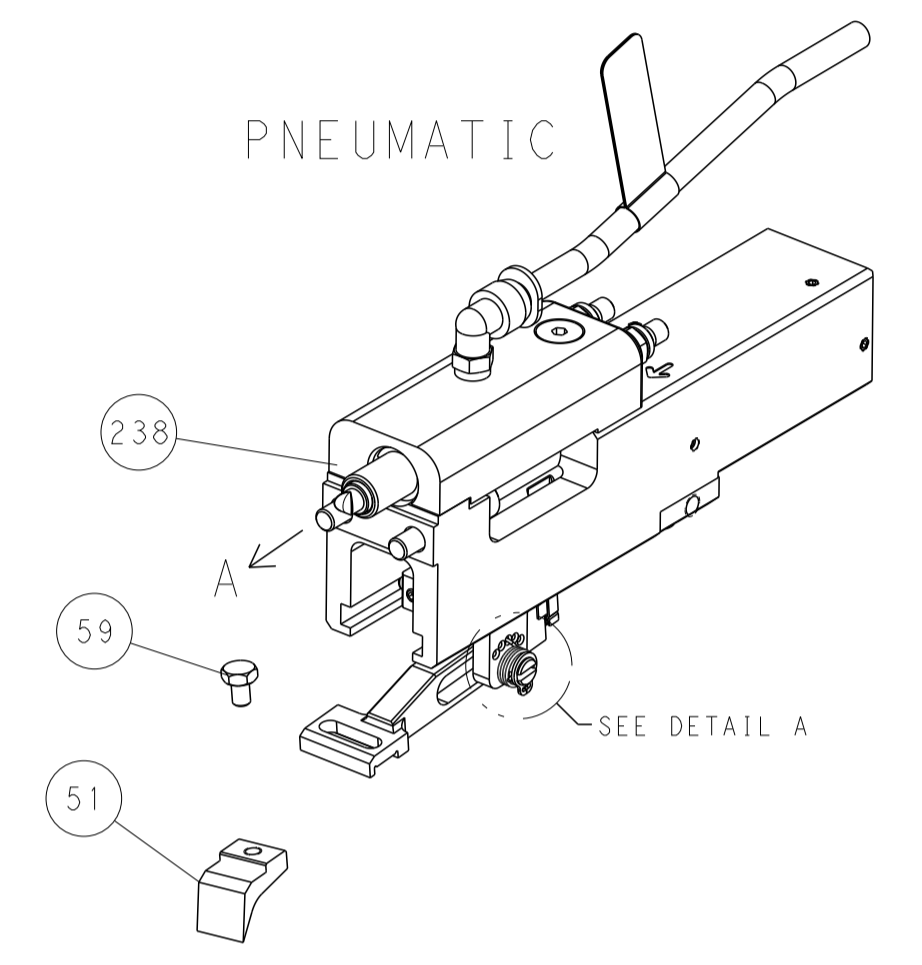
PACIFIC VERSION
Shown on sheets 3 of 4 & 4 of 4
(Atlantic version shown on sheets 1 of 4 & 2 of 4)

LOC	DIST	REVISIONS			
P	LTN	DESCRIPTION	DATE	OWN	APVD
A	66	SEE SHEET 1			

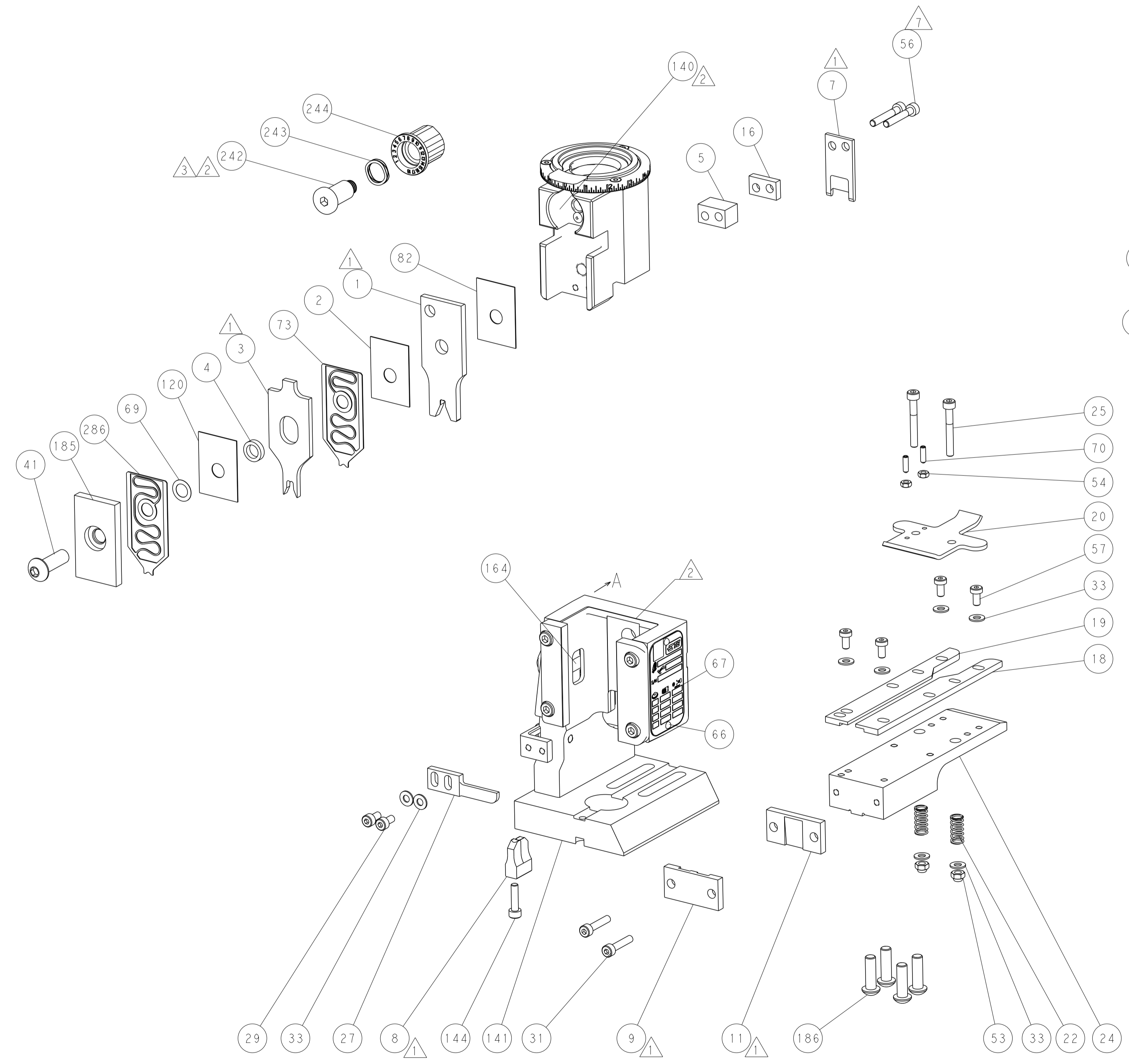
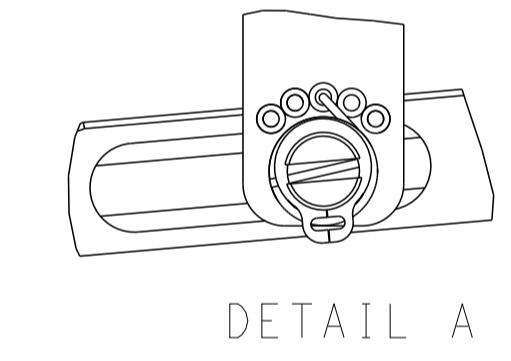


RAM SET-UP

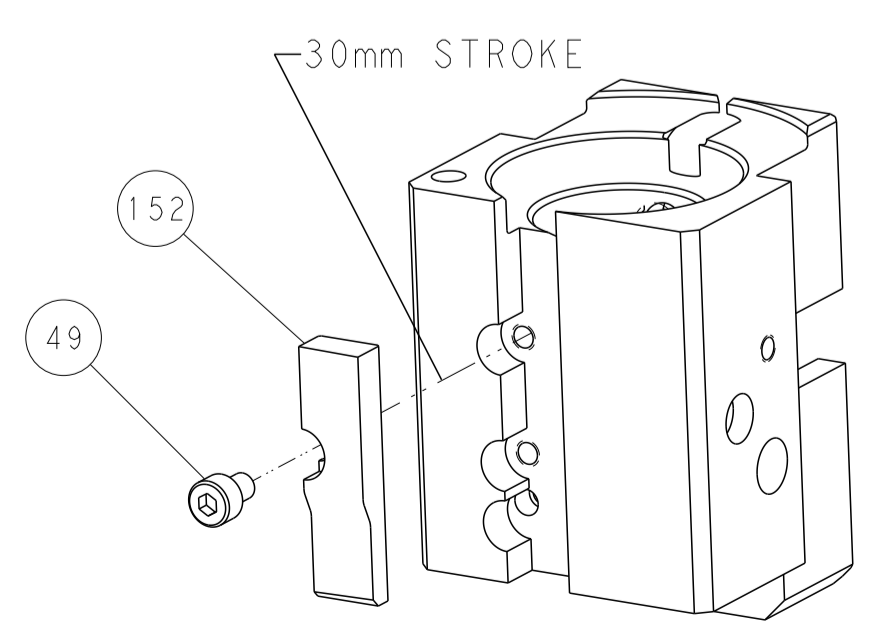
FEED TYPE



FEED SPRING SETTING POSITION



CAM POSITION



AIR FEED

PACIFIC VERSION
 Shown on sheets 3 of 4 & 4 of 4
 (Atlantic version shown on sheets 1 of 4 & 2 of 4)

<small>THIS DRAWING IS UNPUBLISHED. RELEASED FOR PUBLICATION BY TYCO ELECTRONICS CORPORATION. ALL RIGHTS RESERVED.</small>		DWN: Y. YIN 23DEC2015 CHK: G. BAILEY 23DEC2015 APVD: J. GUO 23DEC2015	TE Connectivity Harrisburg, PA 17105-3608
DIMENSIONS: mm TOLERANCES UNLESS OTHERWISE SPECIFIED: 0 PLC ± 1 PLC ± 2 PLC ± 3 PLC ± 4 PLC ± ANGLES ± FINISH ±		NAME: Ocean End Feed Applicator PRODUCT SPEC: APPLICATION SPEC: SIZE: A1 CAGE CODE: 00779 DRAWING NO: C=2150637 WEIGHT:	RESTRICTED TO: SCALE: 1:1 SHEET: 4 OF 4 REV: D