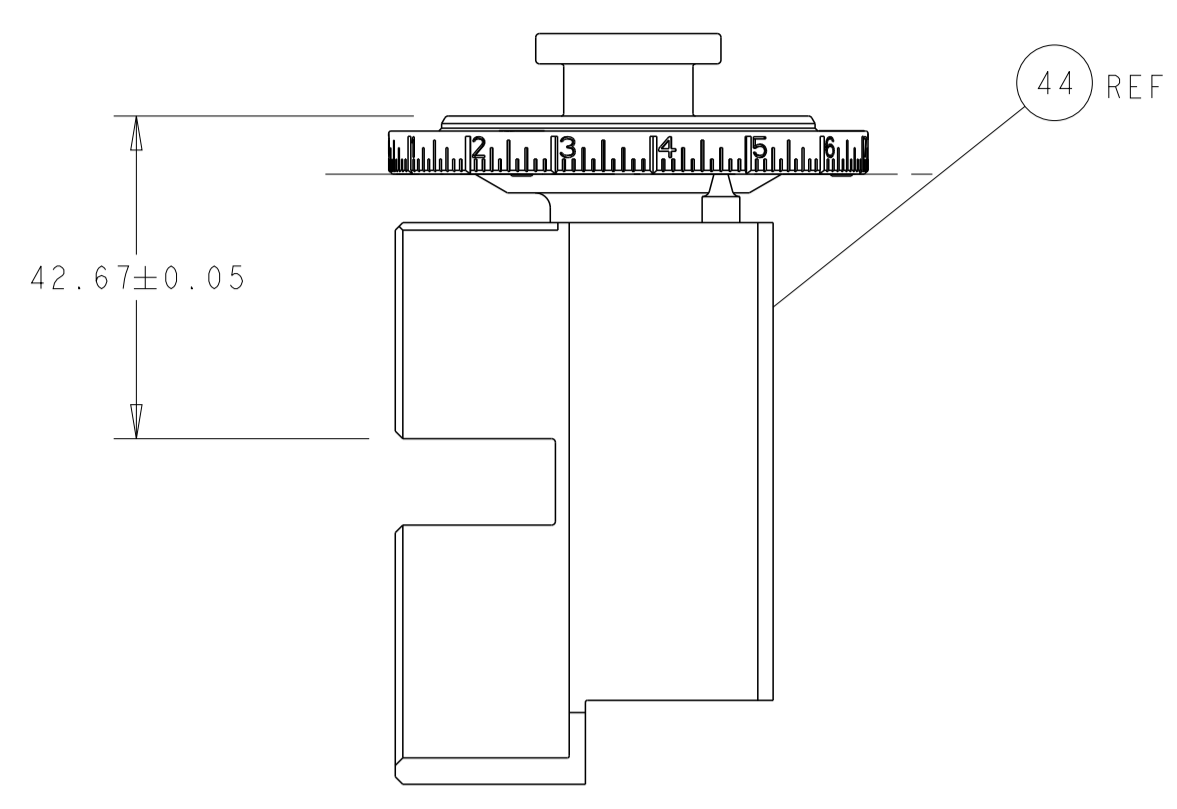


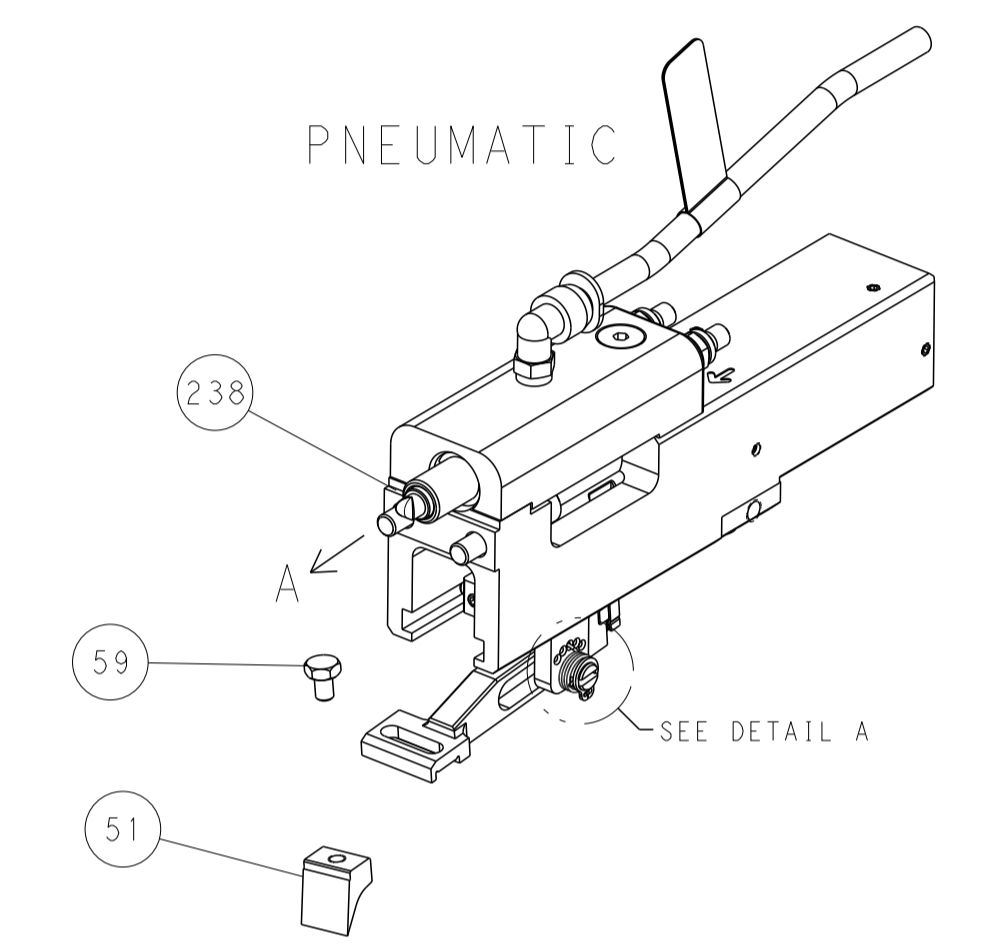
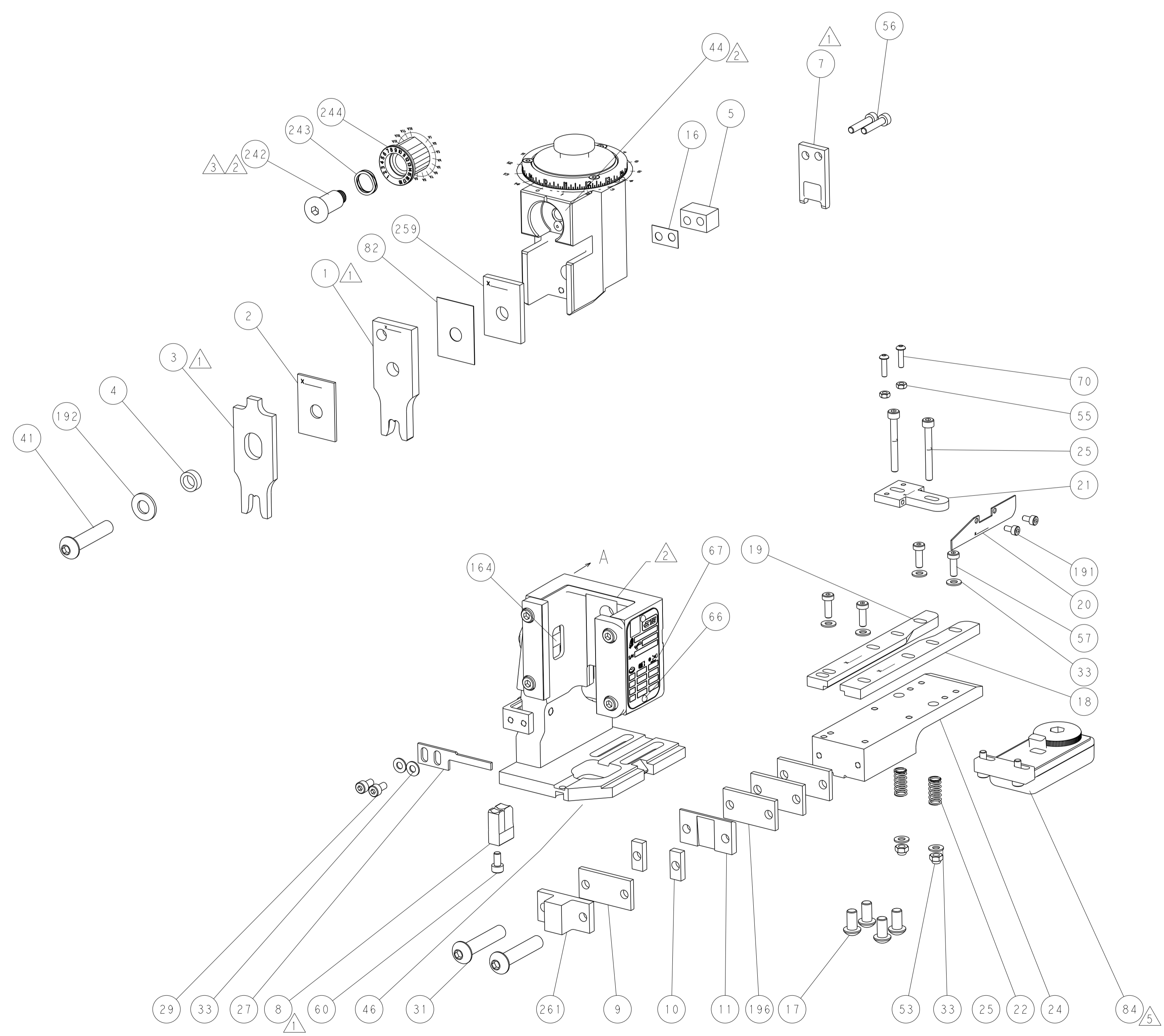


LOC		DIST		REVISIONS			
P	LTN	DESCRIPTION	DATE	DMN	APVD		
A	66	SEE SHEET 1					



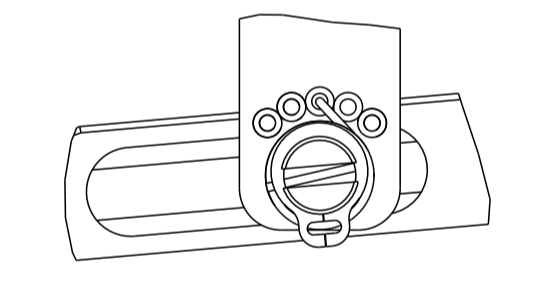
RAM SET-UP

FEED TYPE



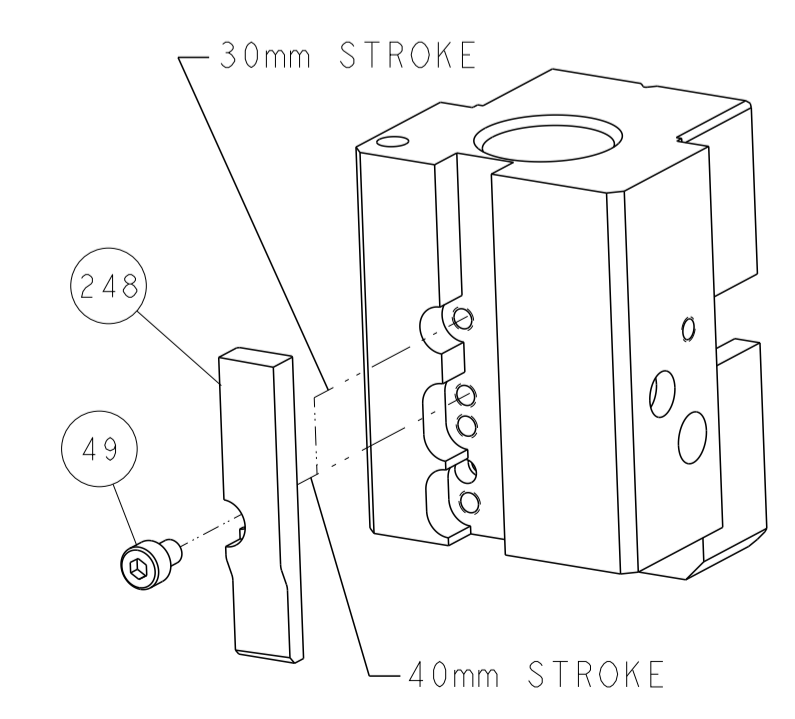
PNEUMATIC

FEED SPRING SETTING POSITION



DETAIL A

CAM POSITION



AIR FEED

<small>THIS DRAWING IS UNPUBLISHED. RELEASED FOR PUBLICATION BY TYCO ELECTRONICS CORPORATION. ALL RIGHTS RESERVED.</small>		DWN: K. HUANG 17SEP2015 CHK: L. ZHANG 17SEP2015 APVD: J. GUO 17SEP2015	TE Connectivity Harrisburg, PA 17105-3608
DIMENSIONS: mm TOLERANCES UNLESS OTHERWISE SPECIFIED: 0 PLC ± 1 PLC ± 2 PLC ± 3 PLC ± 4 PLC ± ANGLES ± MATERIAL: - FINISH: -		NAME: Ocean End Feed Applicator PRODUCT SPEC: - APPLICATION SPEC: - SIZE: A1 CAGE CODE: 00779 DRAWING NO: C=2150622 WEIGHT: - SCALE: 1:1	RESTRICTED TO: - SHEET 2 OF 4 REV B
Customer Accessible Production Drawing			