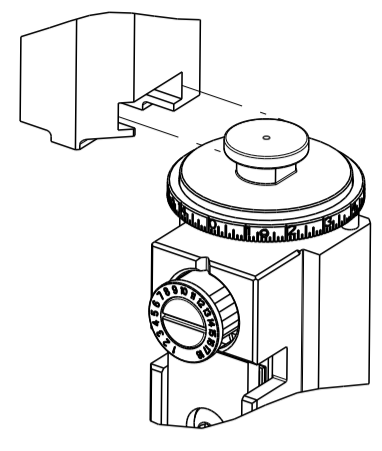


PART NUMBER	REVISION	DESCRIPTION	FEED TYPE
2150560-1	C	FINE CRIMP HEIGHT ADJUST	MECHANICAL
2150560-2	C	FINE CRIMP HEIGHT ADJUST	PNEUMATIC
7-2150560-7	A	CRIMP TOOLING KIT	-

ATLANTIC VERSION TERMINATOR
 INTERFACE ADAPTER



APPLICATOR DATA		
CRIMP	SIZE	TYPE
WIRE	1.57 mm [.062]	F
INSUL	3.56 mm [.140]	F
APPL INSTRUCTIONS 408-35043		

TERMINAL DATA: TE TERMINAL		TE CRIMP SPECIFICATION	
TERMINAL NAME: .110 SERIES FASTON RECEPTACLE			
WIRE STRIP LENGTH	INSULATION DIAMETER RANGE		
4.40-5.16 mm [.173-.203 IN]	Ø2.29-3.30 mm [.090-.130 IN]		
TERMINAL APPLICATION SPECIFICATION	114-2036		
TERMINALS APPLIED			
TE TERMINAL	TE TERMINAL	TE TERMINAL	TE TERMINAL
62094-1	62094-2	62094-3	62523-1
1742785-1	1742785-2		

WIRE SIZE	CRIMP HEIGHT mm [INCH]	CRIMP HEIGHT REFERENCE SETTING
18 AWG	1.24+/-0.05 [.049+/-0.002]	5.5
20 AWG	1.09+/-0.05 [.043+/-0.002]	7.0
22 AWG	1.02+/-0.05 [.040+/-0.002]	7.8

- 1 RECOMMENDED SPARE PARTS
- 2 REFER TO SUPPLIED INSTRUCTION SHEET FOR CLEANING, LUBRICATION AND STORAGE OF APPLICATOR.
- 3 APPLY PART NUMBER 2-23419-6 LOCTITE TO THREADS OF ITEM 242. APPLY PART NUMBER 1-23419-5 LOCTITE TO THREADS OF ITEM 180.
- 4 CRIMP HEIGHT REFERENCE SETTING WAS THE SETTING USED WHEN THE APPLICATOR WAS QUALIFIED AT THE FACTORY. ADJUSTMENT MAY BE NECESSARY WHEN RUNNING APPLICATOR IN THE FIELD.
- 5. UNLESS SPECIFIED OTHERWISE TORQUE VALUES SHALL BE USED PER DOCUMENT, 101-35000.
- 6 TERMINAL LUBRICANT IS RECOMMENDED.

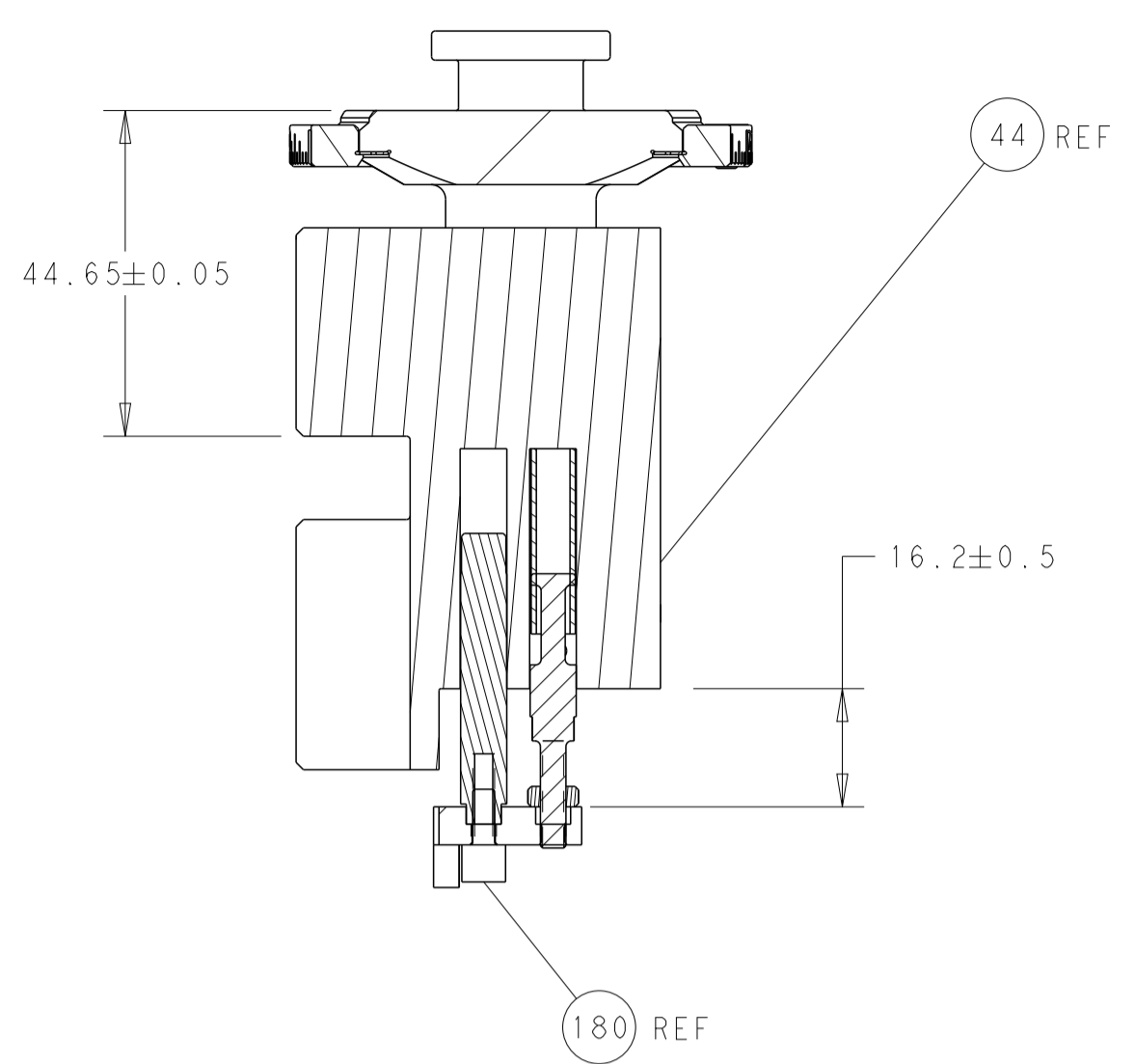
***WARNING**
 ON INSTALLATION, SET WIRE DISC TO CRIMP HEIGHT REFERENCE SETTING FOR LARGEST WIRE SIZE. CRIMP HEIGHT REFERENCE SETTINGS GREATER THAN THE VALUE SHOWN MAY CAUSE DAMAGE TO THE CRIMP TOOLING. REFER TO THE INSTRUCTION SHEET FOR PROPER SETUP AND ADJUSTMENTS.

LOC	DIST	REVISIONS					
		P	LTN	DESCRIPTION	DATE	OWN	APVD
A	66	B		ECR-19-010168	28JUN2019	MZ	CT
		C		ECR-24-205881	15APR2024	TB	RR

-	1	1	2119791-9	DEPRESSOR, WIRE	286
-	1	-	2119641-1	FEED CAM, AIR FEED	248
-	1	1	2119082-3	CAM, SNAIL, INSULATION ADJUSTMENT	244
-	1	1	2079764-1	WASHER, WAVE SPRING, CREST-TO-CREST	243
3	-	1	2119083-1	RETAINER, INSULATION DIAL	242
-	-	1	2119580-1	MECHANICAL FEED ASSEMBLY	239
-	1	-	2844940-3	AIR FEED MODULE	238
3	-	1	1752354-5	STANDOFF, HOLD-DOWN	180
-	1	1	6-993111-6	PIN, SLOTTED SPRING 3.0 X 14.0	177
-	1	1	1803203-1	BLOCK, FRONT DEPRESSOR	177
-	1	1	8-22280-7	SPRING, COMPRESSION	176
-	1	1	1752353-2	GUIDE PIN, HOLDDOWN	175
-	1	1	1901680-2	GUIDE PIN, HOLDDOWN	174
-	REF	REF	994970-2	COUNTER, MAGNETIC	164
6	-	1	2119955-2	ASSY, LUBRICATOR, END FEED	84
-	1	1	455888-5	SPACER, CRIMPER -	82
-	1	1	2119791-5	DEPRESSOR, WIRE	73
-	1	1	1803607-4	DOCUMENTATION PACKAGE	71
-	2	2	2-18032-2	SCR, SET, FLT PNT, M3 X 10.0	70
-	1	1	2119943-1	WASHER, SPACER	69
-	1	1	2119740-1	TAG, IDENTIFICATION	67
-	2	2	2168078-1	SCREW, DRIVE, RH, RoHS, 2 x .188	66
-	1	1	1901681-5	HOLDDOWN, TERMINAL	65
-	2	2	2168400-5	SHCS, LOW HEAD, RoHS, M4 X 20	64
-	1	1	2168083-2	SCR, SKT HD CAP, RoHS, M4 X 8.0	60
-	1	1	5-18022-5	SCR, HEX HD CAP, M4 X 6.0	59
-	-	1	2063961-1	FEED FINGER	58
-	3	3	2168400-4	SHCS, LOW HEAD, RoHS, M4 X 8	57
-	2	2	2168083-2	SCR, SKT HD CAP, RoHS, M4 X 8.0	56
-	2	2	5018030-1	NUT, HEX, REG, RoHS, M3	54
-	2	2	986965-8	NUT, LOCK, HEX, TORQUE (M4)	53
-	1	1	1-5018030-0	NUT, HEX, REG, RoHS, M3.5	52
-	1	-	2063961-1	FEED FINGER	51
-	1	2	18023-9	SCR, SKT HD CAP M4 X 6.0	49
-	-	1	2119652-1	FEED CAM, PRE FEED	48
-	-	1	2119653-1	FEED CAM, POST FEED	47
-	1	1	2119655-5	APPLICATOR BASIC ASSEMBLY, EF	46
-	1	1	1803517-1	RAM ASSEMBLY, EF ATLANTIC	44
-	1	1	1803602-1	SCR, BHSC, RoHS (M8 X 25)	41
-	7	7	1-18028-2	WASHER, FLAT, REG M4	33
-	2	2	2168083-9	SCR, SKT HD CAP, RoHS, M4 X 20	31
-	2	2	2168083-2	SCR, SKT HD CAP, RoHS, M4 X 8.0	29
-	1	1	455888-5	SPACER, CRIMPER -	28
-	1	1	240639-1	STRIPPER (MACHINING)	27
-	2	2	1-2168083-5	SCR, SKT HD CAP, RoHS, M4 X 30	25
-	1	1	1-1752371-2	PLATE, STRIP GUIDE	24
-	1	1	240825-1	PLATE, STRIP HOLD DOWN	23
-	2	2	2-22281-3	SPRING, COMPRESSION	22
-	1	1	1803292-4	DRAG	20
-	2	2	1901259-4	GUIDE, LOWER STRIP	18
-	4	4	1-2079383-1	SCR, BHSC, RoHS (M6 X 12)	17
1	-	1	240644-5	PLATE, REAR SHEAR	11
-	-	-	-	-	10
1	-	1	1-690482-8	PLATE, FRONT SHEAR	9
1	1	1	2-1803060-3	ANVIL, COMBINATION, END FEED	8
1	-	1	2217206-7	BLADE, SLUG	7
-	-	-	-	-	6
-	1	1	3-240641-0	SPACER	5
-	1	1	238011-2	BLOCK, CRIMPER SPACER	4
1	1	1	5-2119582-2	CRIMPER, INSULATION F PREMIUM	3
-	1	1	455888-4	SPACER, CRIMPER -	2
1	1	1	1-456403-5	CRIMPER, WIRE PREMIUM	1
-	77	2	-1	PART NO	ITEM NO

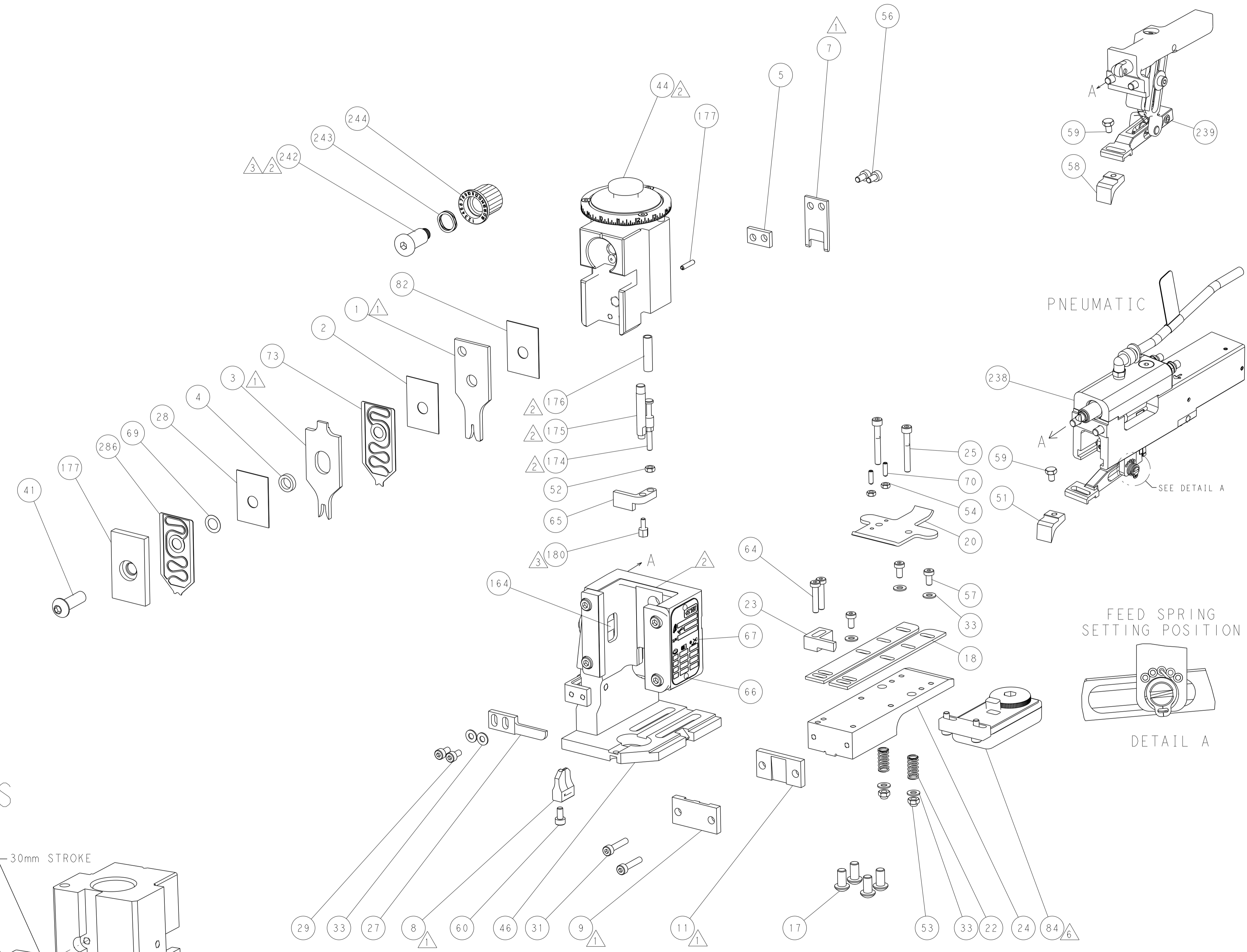
DIMENSIONS:		TOLERANCES UNLESS OTHERWISE SPECIFIED:		DWN		TE Connectivity	
mm		0 PLC ±		Y. YIN		Harrisburg, PA 17105-3608	
Ø		1 PLC ±		G. BAILEY		NAME	
MATERIAL		2 PLC ±		U. GUO		Ocean End Feed	
		3 PLC ±		16JUN2015		Applicator	
		4 PLC ±		16JUN2015		SIZE	
		ANGLES		PRODUCT SPEC		CAGE CODE	
		FINISH		APPLICATION SPEC		DRAWING NO	
				WEIGHT		RESTRICTED TO	
				A 00779		C=2150560	
				Customer Accessible Production Drawing		SCALE 1:1 SHEET 1 OF 4 REV C	

LOC	DIST	REVISIONS					
A	66	P	LTM	DESCRIPTION	DATE	DWN	APVD
		-		SEE SHEET 1			

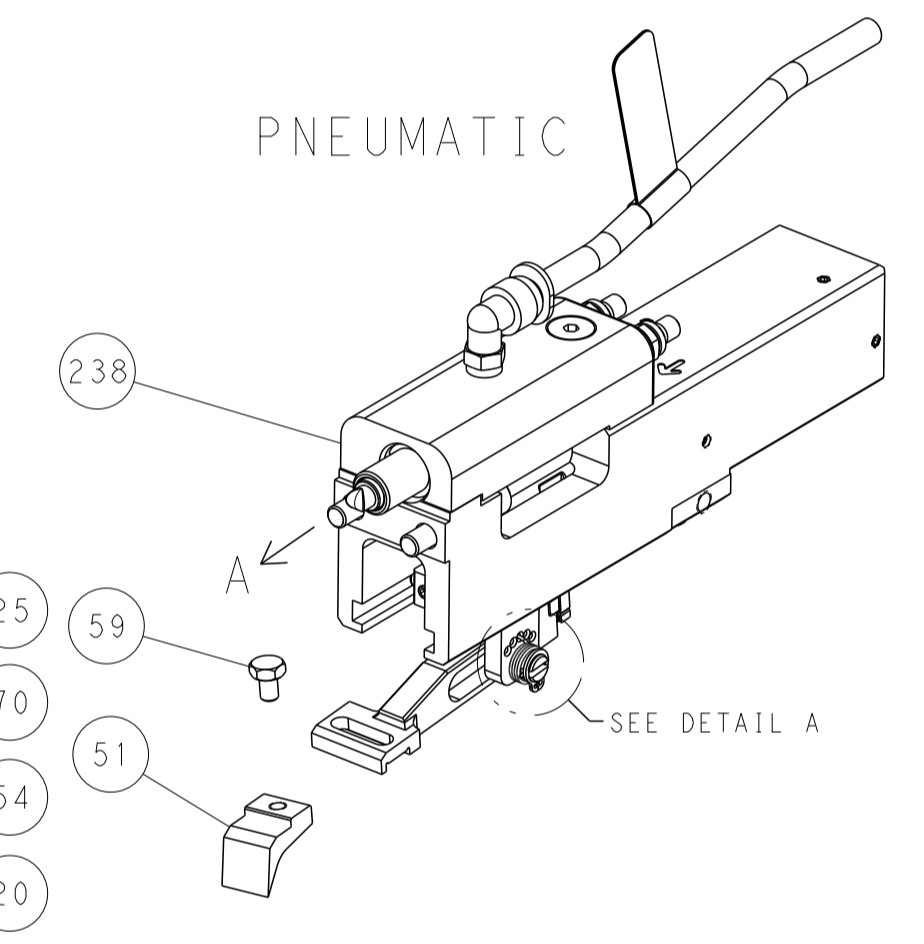


RAM AND HOLDDOWN SET-UP

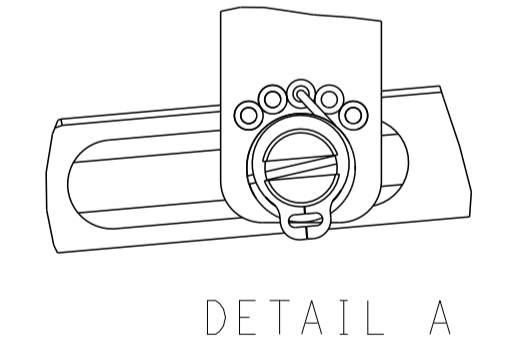
FEED TYPE
MECHANICAL



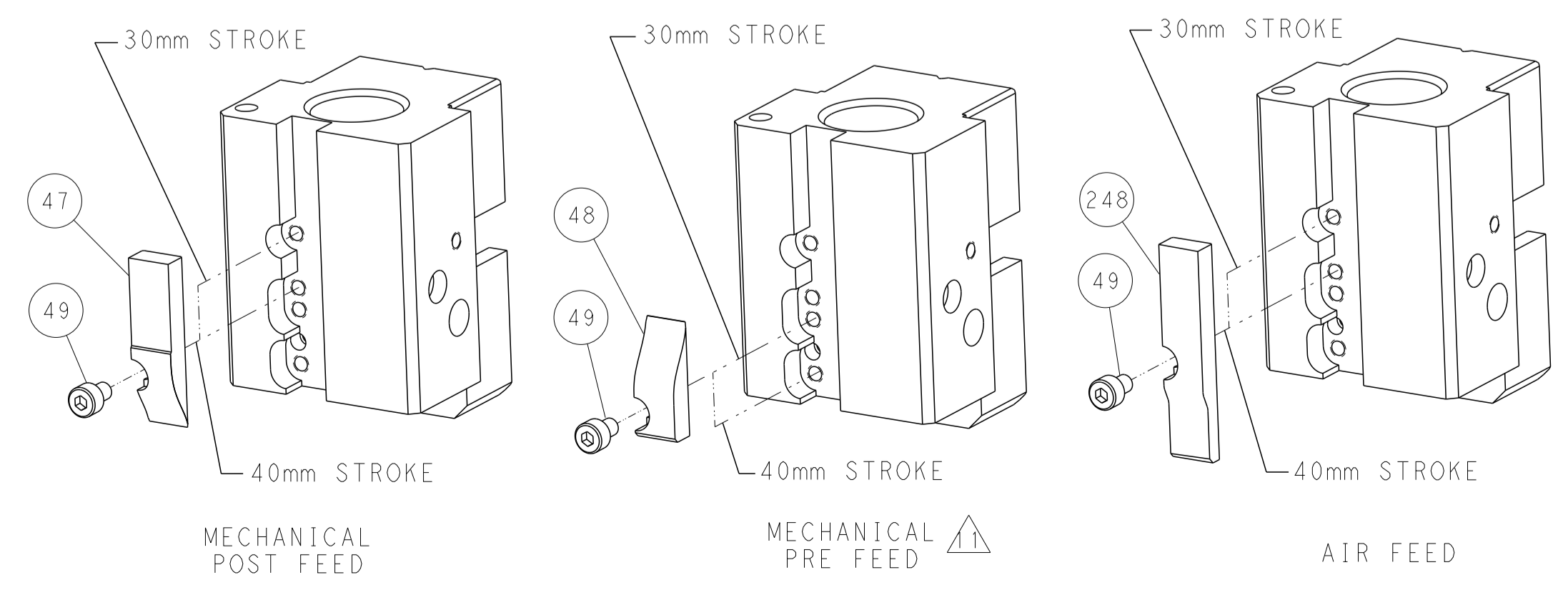
PNEUMATIC



FEED SPRING
SETTING POSITION



CAM POSITIONS



<small>THIS DRAWING IS UNPUBLISHED. RELEASED FOR PUBLICATION BY TYCO ELECTRONICS CORPORATION. ALL RIGHTS RESERVED.</small>		DWN: Y. YIN 16 JUN 2015 CHK: G. BAILEY 16 JUN 2015 APVD: H. GUO 16 JUN 2015	TE Connectivity Harrisburg, PA 17105-3608
DIMENSIONS: mm 	TOLERANCES UNLESS OTHERWISE SPECIFIED: 0 PLC ± 1 PLC ± 2 PLC ± 3 PLC ± 4 PLC ± ANGLES ± FINISH	NAME: Ocean End Feed Applicator PRODUCT SPEC APPLICATION SPEC SIZE: A1 CAGE CODE: 00779 DRAWING NO: C=2150560	RESTRICTED TO SCALE: 1:1 SHEET: 2 OF 4 REV: C
MATERIAL:		WEIGHT:	Customer Accessible Production Drawing