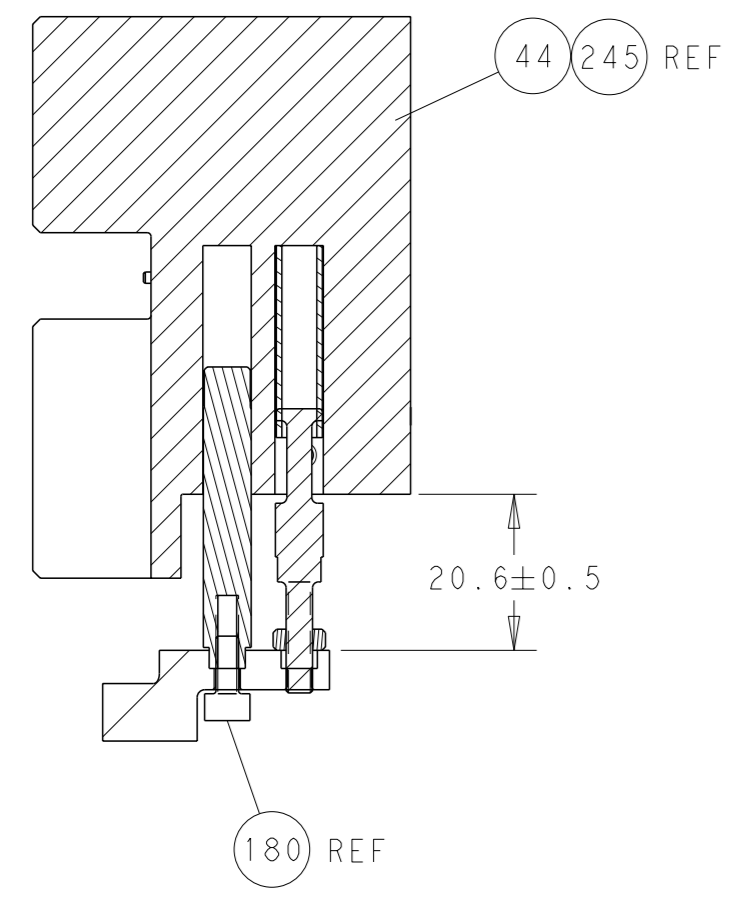
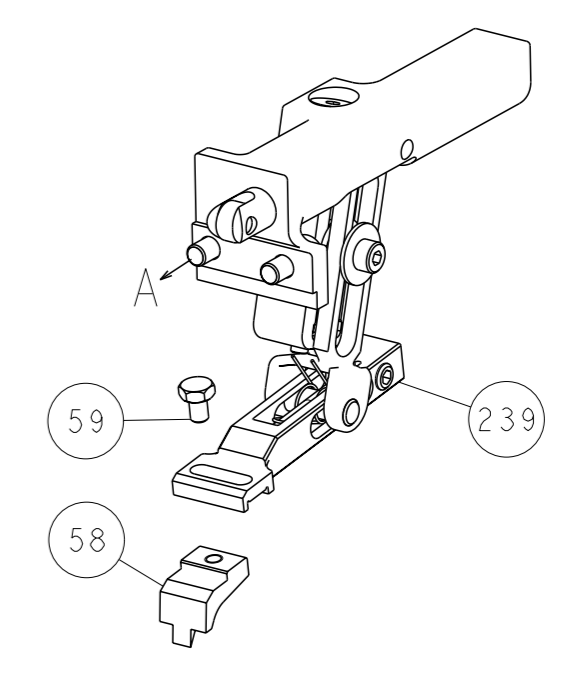


LOC		DIST		REVISIONS			
A	66	P	LYR	DESCRIPTION	DATE	OWN	APVD
		-		SEE SHEET 1			

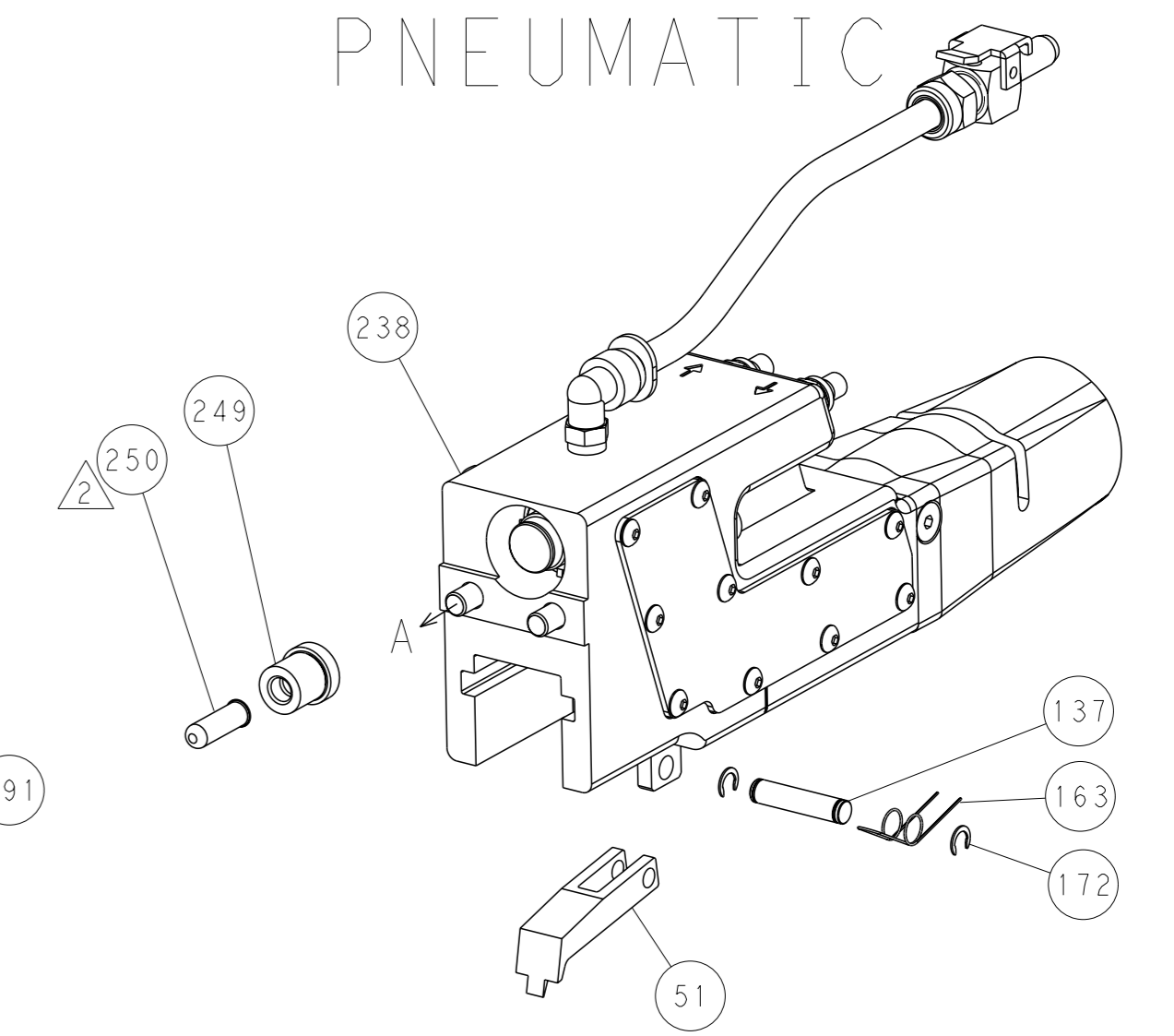


HOLDDOWN SET-UP

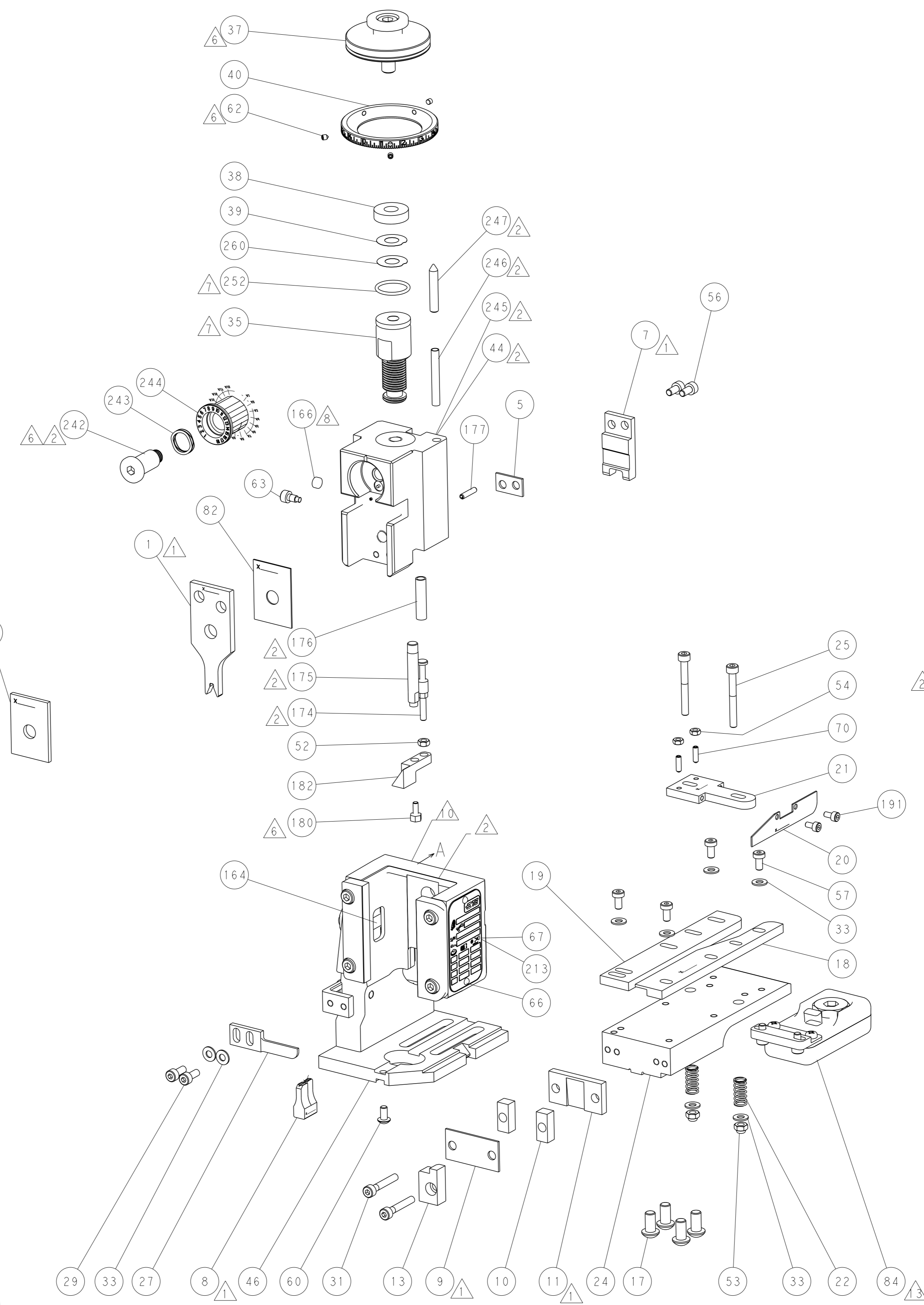
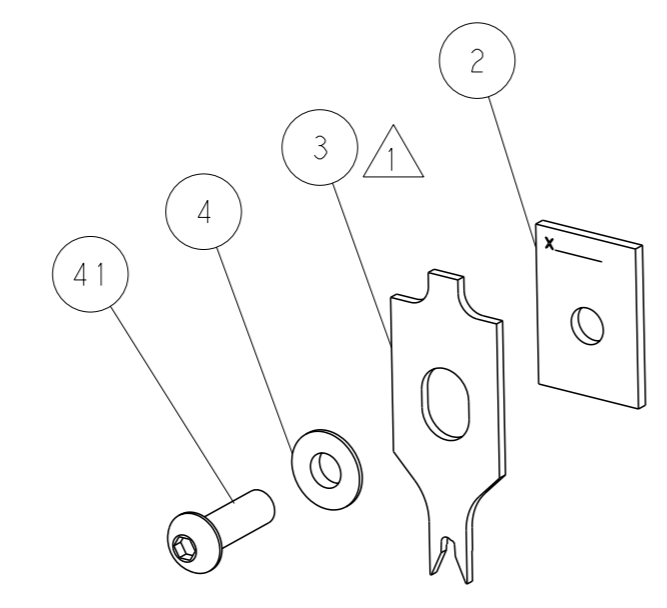
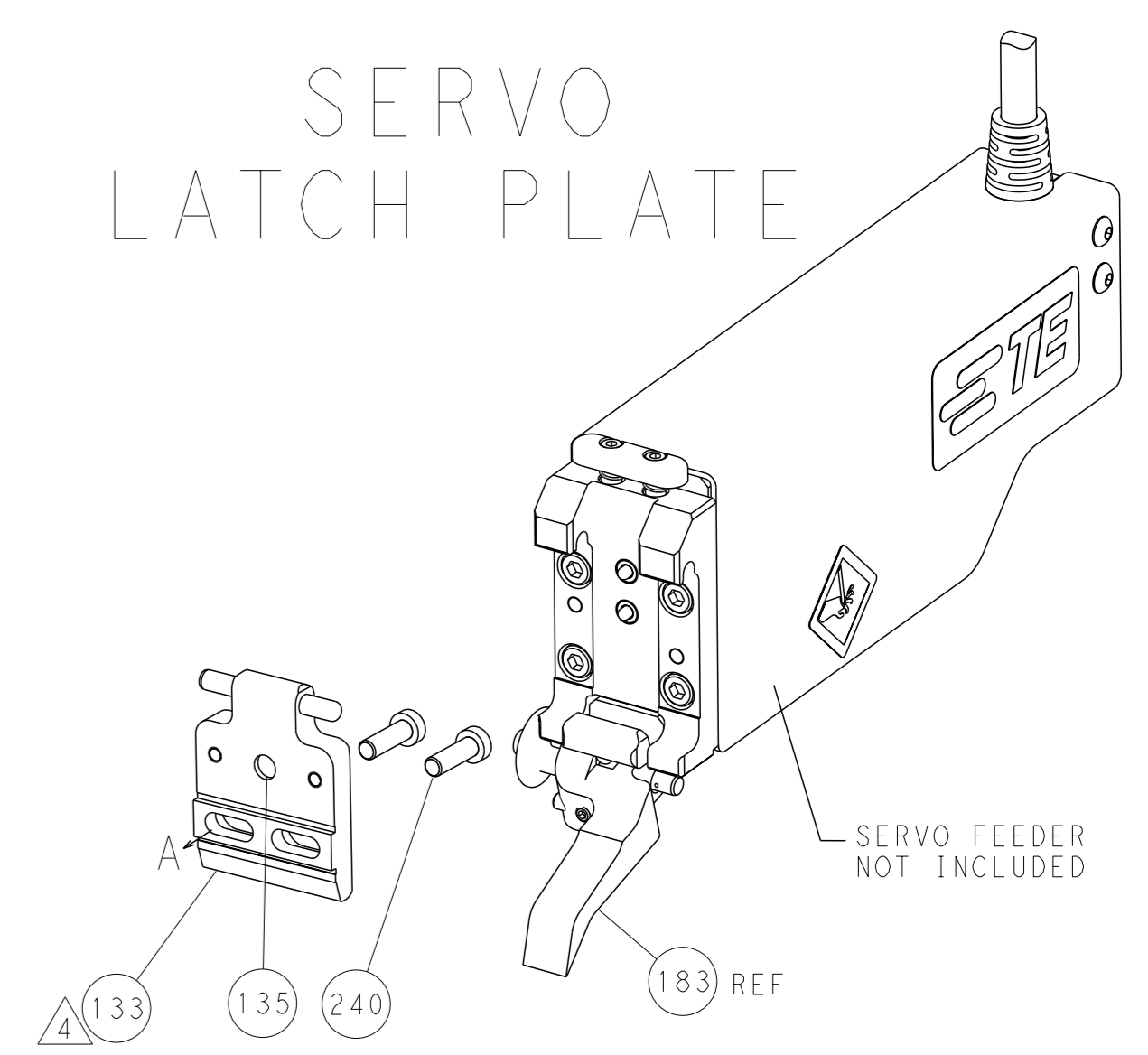
FEED TYPE
MECHANICAL



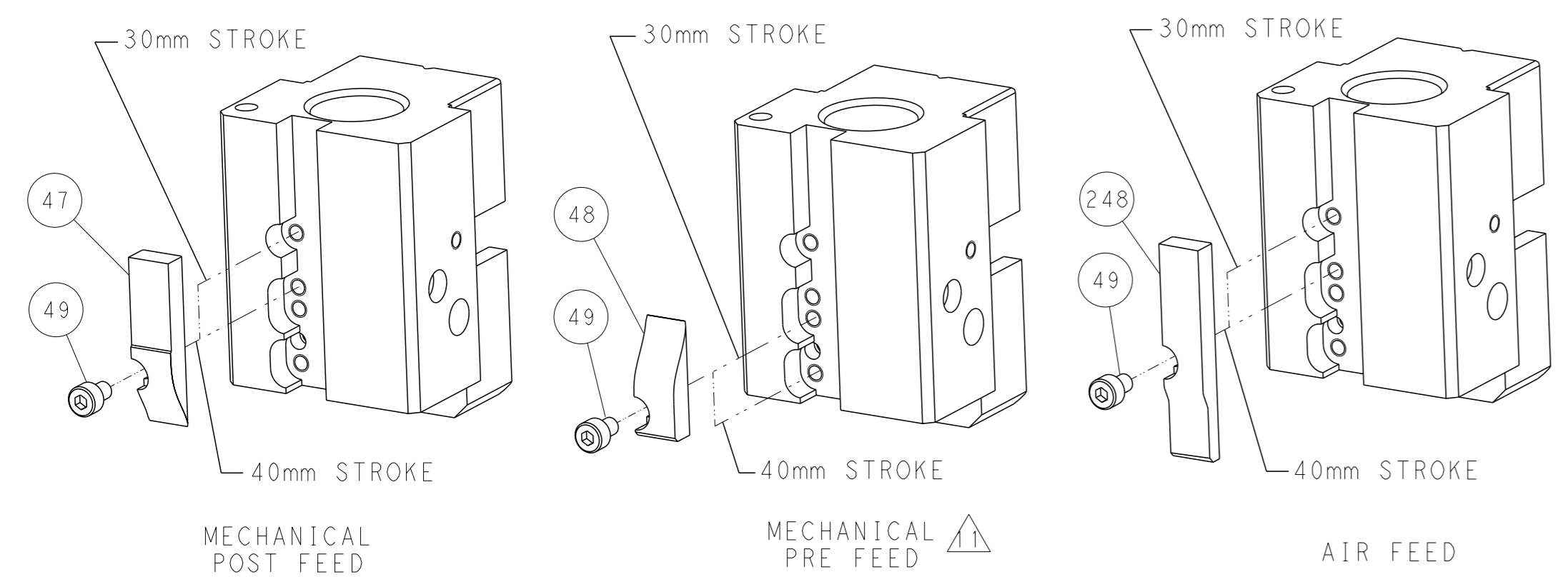
PNEUMATIC



SERVO
LATCH PLATE



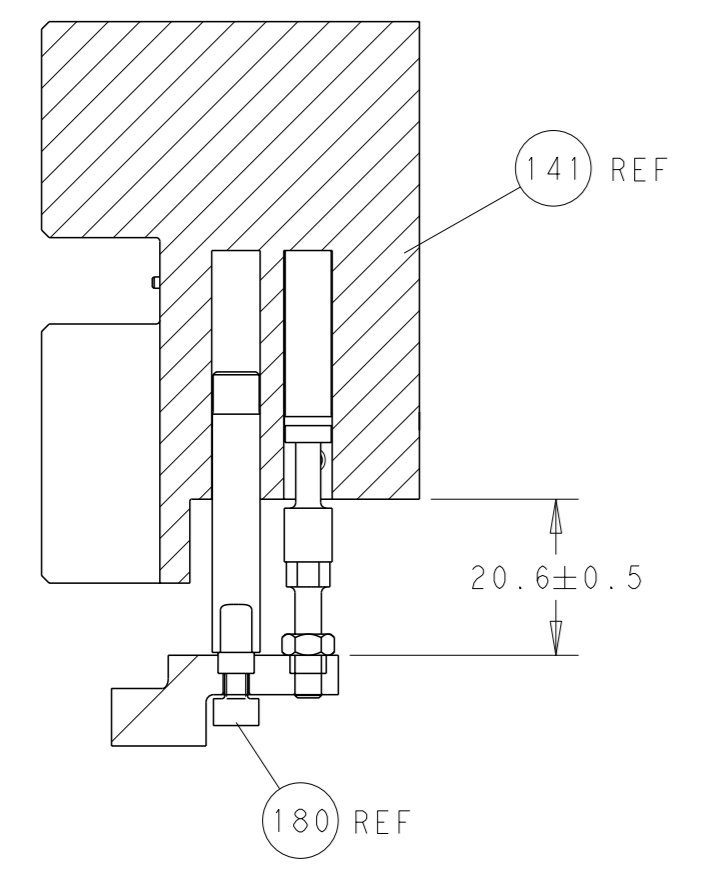
CAM POSITIONS



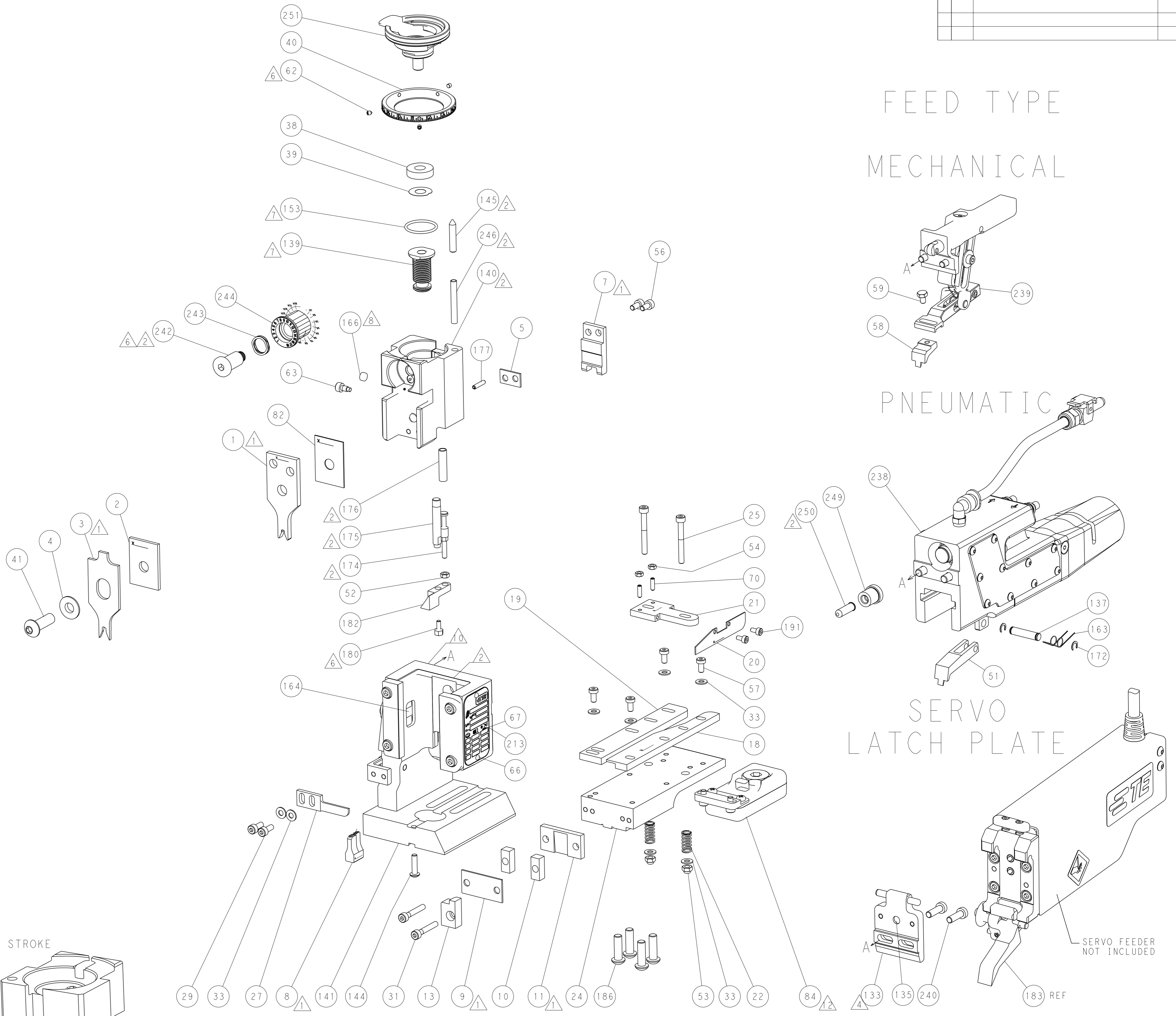
ATLANTIC VERSION
 Shown on sheets 1 of 4 & 2 of 4
 (Pacific version shown on sheets 3 of 4 & 4 of 4)

DIMENSIONS: mm 		TOLERANCES UNLESS OTHERWISE SPECIFIED: 0 PLC ± 1 PLC ± 2 PLC ± 3 PLC ± 4 PLC ± ANGLES ° ± FINISH		OWN M. HERR 23JUN2017 CHK T. ELBIN 23JUN2017 APVD T. ELBIN 23JUN2017 PRODUCT SPEC APPLICATION SPEC WEIGHT Customer Accessible Production Drawing		NAME Ocean End Feed Applicator SIZE CAGE CODE DRAWING NO. RESTRICTED TO A1 00779 ©=2150460 SCALE 1:1 SHEET 2 of 4 REV A	
-----------------------	--	---	--	--	--	---	--

LOC		DIST		REVISIONS			
A	66	P	LYR	DESCRIPTION	DATE	OWN	APVD
		-		SEE SHEET 1			



HOLDDOWN SET-UP

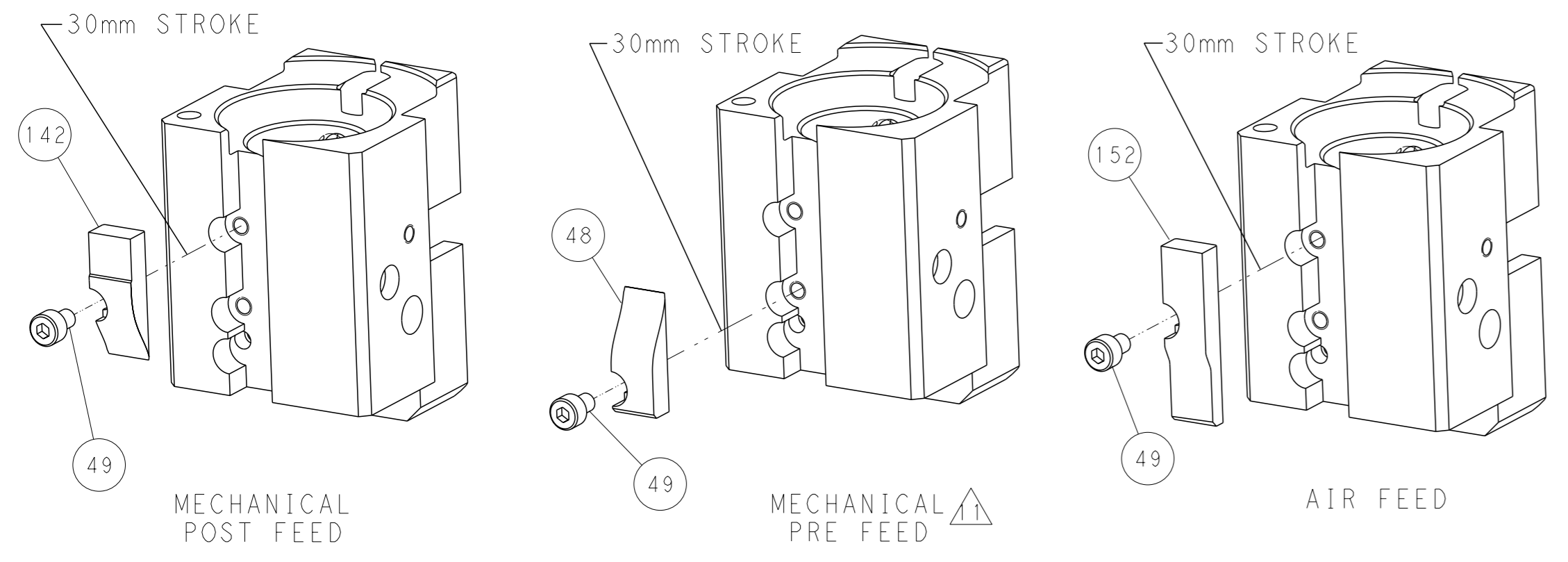


FEED TYPE
MECHANICAL

PNEUMATIC

SERVO
LATCH PLATE

CAM POSITIONS



PACIFIC VERSION
 Shown on sheets 3 of 4 & 4 of 4
 (Atlantic version shown on sheets 1 of 4 & 2 of 4)

DIMENSIONS: mm 		TOLERANCES UNLESS OTHERWISE SPECIFIED: 0 PLC ± 1 PLC ± 2 PLC ± 3 PLC ± 4 PLC ± ANGLES ° ±		OWN M. HERR 23JUN2017 CHK T. ELBIN 23JUN2017 APVD T. ELBIN 23JUN2017 PRODUCT SPEC APPLICATION SPEC WEIGHT MATERIAL		NAME Ocean End Feed Applicator SIZE CAGE CODE DRAWING NO A1 00779 C=2150460 RESTRICTED TO	
Customer Accessible Production Drawing		SCALE 1:1		SHEET 4 of 4		REV A	