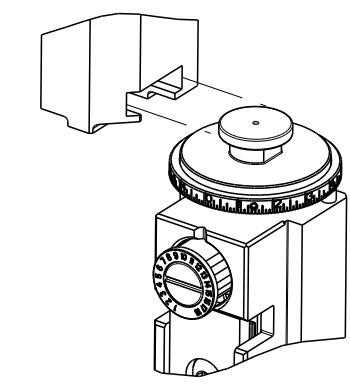


| PART NUMBER | REVISION | DESCRIPTION | FEED TYPE |
|-------------|----------|--------------------------|-----------|
| 2150268-2 | D | FINE CRIMP HEIGHT ADJUST | PNEUMATIC |
| 7-2150268-7 | A | CRIMP TOOLING KIT | - |

ATLANTIC VERSION TERMINATOR
 INTERFACE ADAPTER

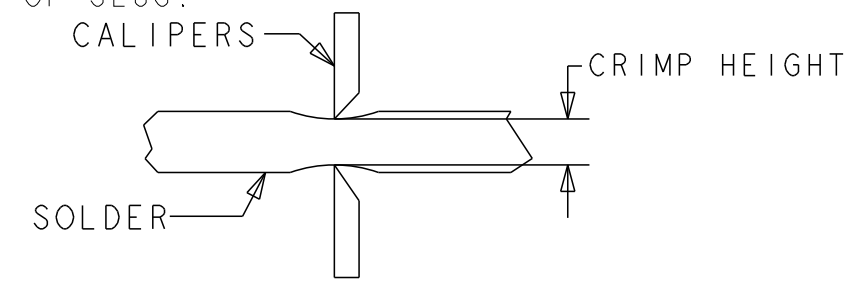


| APPLICATOR DATA | | |
|--------------------------------|----------------|------|
| CRIMP | SIZE | TYPE |
| WIRE | 6.02 mm [.237] | D |
| INSUL | - | - |
| APPL INSTRUCTIONS 408-35043 | | |

| TERMINAL DATA: TE TERMINAL | | TE CRIMP SPEC |
|--|---|---------------|
| TERMINAL NAME: RECPT, ULTRA-FAST FLAG, .187 SERIES | | |
| WIRE STRIP LENGTH 7.51-8.33 mm [.296-.328 IN] | INSULATION DIAMETER RANGE Ø .185 MAX | |
| TERMINAL APPLICATION SPECIFICATION 114-2123 | | |
| TERMINALS APPLIED 4 | | |
| TE TERMINAL | TE TERMINAL | TE TERMINAL |
| 3-520338-2 | 6-520338-2 | 9-520340-2 |
| 5-520338-2 | 3-520340-2 | |

| WIRE SIZE | CRIMP HEIGHT mm [INCH] | CRIMP HEIGHT REFERENCE SETTING | Ø SOLDER |
|-----------|-----------------------------|--------------------------------|-----------------|
| 14 | 1.905+/-0.05 [.075+/- .002] | 4.8 | .19 in [4.83mm] |
| 16 | 1.778+/-0.05 [.070+/- .002] | 6.0 | .19 in [4.83mm] |

- 1 RECOMMENDED SPARE PARTS
- 2 REFER TO SUPPLIED INSTRUCTION SHEET FOR CLEANING, LUBRICATION AND STORAGE OF APPLICATOR.
- 3 CRIMP HEIGHT REFERENCE SETTING WAS THE SETTING USED WHEN THE APPLICATOR WAS QUALIFIED AT THE FACTORY. ADJUSTMENT MAY BE NECESSARY WHEN RUNNING APPLICATOR IN THE FIELD.
- 4 TERMINAL PITCH NOT COMPATIBLE WITH MECHANICAL FEED.
- 5 TO CHECK CRIMP HEIGHT, CRIMP SOLDER (Ø.19 IN [4.83mm] 60/40 SOLID CORE) AND MEASURE AT CENTER OF SLUG.



6. UNLESS SPECIFIED OTHERWISE TORQUE VALUES SHALL BE USED PER DOCUMENT, 101-35000.

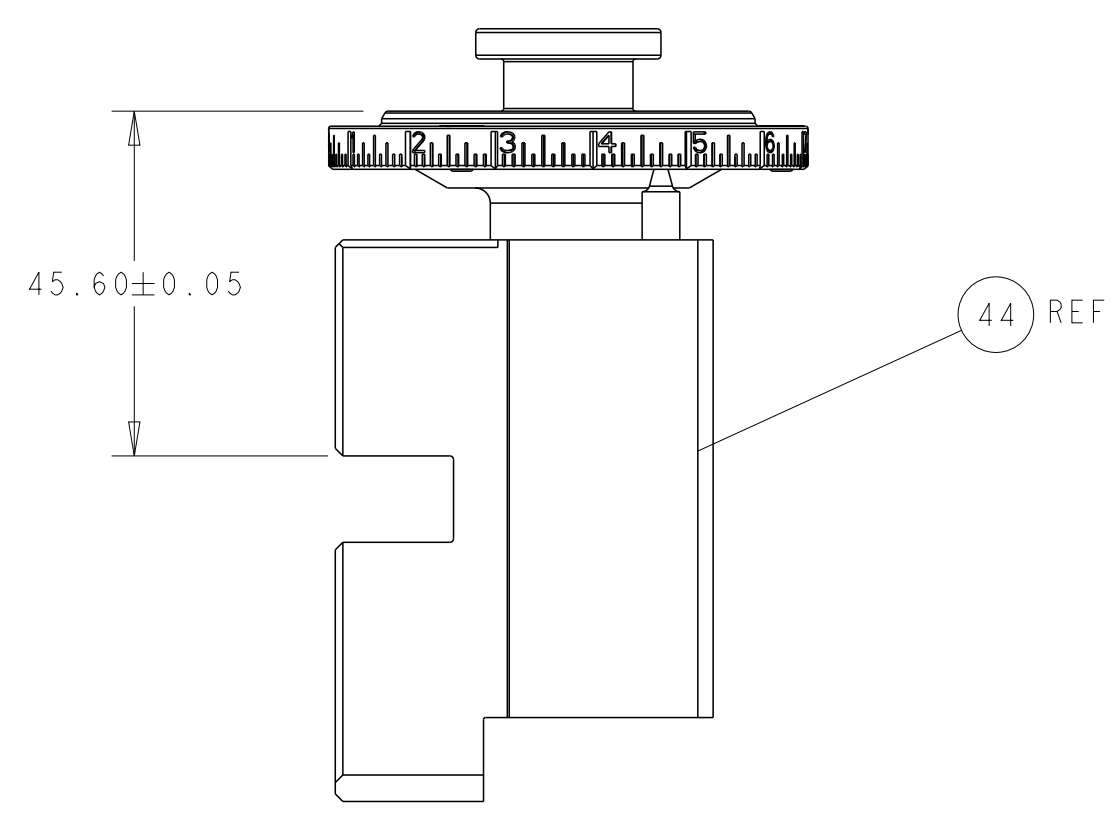
***WARNING**
 ON INSTALLATION, SET WIRE DISC TO CRIMP HEIGHT REFERENCE SETTING FOR LARGEST WIRE SIZE. CRIMP HEIGHT REFERENCE SETTINGS GREATER THAN THE VALUE SHOWN MAY CAUSE DAMAGE TO THE CRIMP TOOLING, REFER TO THE INSTRUCTION SHEET FOR PROPER SETUP AND ADJUSTMENTS.

| LOC | DIST | REVISIONS | | | | | |
|-----|------|-----------|-----|---------------|-----------|-----|------|
| A | 66 | P | LTN | DESCRIPTION | DATE | DWN | APVD |
| | | A | | ORIGINAL | 01OCT2012 | BW | TE |
| | | B | | ECR-18-014670 | 15SEP2018 | JAH | TE |
| | | C | | ECR-21-007166 | 05AUG2021 | FJ | TE |
| | | D | | ECR-24-203020 | 18MAR2024 | FZ | TE |

| | | | | | |
|---|-----|-------------|----------------------------------|-------------|---------|
| - | 1 | 2119641-1 | FEED CAM, AIR FEED | 248 | |
| - | 1 | 2844940-3 | AIR FEED MODULE | 238 | |
| - | 1 | 467281-1 | RETAINER, SHEAR, FLOATING | 207 | |
| - | 1 | 2161936-1 | HOLDER, SHEAR, FLOATING | 206 | |
| - | 1 | 467500-1 | SHEAR, FLOATING | 205 | |
| - | 1 | 1-18028-0 | WASHER, FLAT, REG M8 | 192 | |
| - | REF | 994970-2 | COUNTER, MAGNETIC | 164 | |
| - | 1 | 2161937-2 | STABILIZER | 154 | |
| - | 1 | 1803607-4 | DOCUMENTATION PACKAGE | 71 | |
| - | 1 | 3-18032-3 | SCR, SET, FLT PNT, M3 X 20.0 | 70 | |
| - | 1 | 2-18032-2 | SCR, SET, FLT PNT, M3 X 10.0 | 69 | |
| - | 1 | 2119740-1 | TAG, IDENTIFICATION | 67 | |
| - | 2 | 2168078-1 | SCREW, DRIVE, RH, RoHS, 2 x .188 | 66 | |
| - | 2 | 2168400-4 | SHCS, LOW HEAD, RoHS, M4 X 8 | 60 | |
| - | 1 | 5-18022-5 | SCR, HEX HD CAP, M4 X 6.0 | 59 | |
| - | 4 | 2168400-1 | SHCS, LOW HEAD, RoHS, M4 X 12 | 57 | |
| - | 2 | 2168083-2 | SCR, SKT HD CAP, RoHS, M4 X 8.0 | 56 | |
| - | 2 | 5018030-1 | NUT, HEX, REG, RoHS, M3 | 54 | |
| - | 2 | 986965-8 | NUT, LOCK, HEX, TORQUE (M4) | 53 | |
| - | 1 | 2352966-1 | FEED FINGER | 51 | |
| - | 1 | 18023-9 | SCR, SKT HD CAP M4 X 6.0 | 49 | |
| - | 1 | 1-2119655-5 | APPLICATOR BASIC ASSEMBLY, EF | 46 | |
| - | 1 | 1803517-1 | RAM ASSEMBLY, EF ATLANTIC | 44 | |
| - | 1 | 1803602-1 | SCR, BHSC, RoHS (M8 X 25) | 41 | |
| - | 2 | 5-22278-1 | SPRING, COMPRESSION | 36 | |
| - | 8 | 1-18028-2 | WASHER, FLAT, REG M4 | 33 | |
| - | 3 | 2079383-4 | SCR, BHSC, RoHS (M4 X 8) | 31 | |
| - | 2 | 2168083-2 | SCR, SKT HD CAP, RoHS, M4 X 8.0 | 29 | |
| - | 1 | 690455-3 | STRIPPER, FRONT CASTING | 27 | |
| - | 2 | 1-2168083-6 | SCR, SKT HD CAP, RoHS, M4 X 35 | 25 | |
| - | 1 | 2161941-2 | PLATE, GUIDE, STRIP | 24 | |
| - | 2 | 22281-9 | SPRING, COMPRESSION | 22 | |
| - | 1 | 2161948-1 | DRAG | 20 | |
| - | 1 | 683736-1 | GUIDE, STRIP, REAR | 19 | |
| - | 1 | 683737-1 | FRONT STRIP GUIDE | 18 | |
| - | 4 | 1-2079383-1 | SCR, BHSC, RoHS (M6 X 12) | 17 | |
| - | 1 | 4-22280-7 | SPRING, COMPRESSION | 13 | |
| - | 1 | 2161935-3 | ANVIL, RIGHT HAND | 8 | |
| - | 1 | 2161957-1 | DEPRESSOR, SHEAR | 5 | |
| - | 1 | 238011-2 | BLOCK, CRIMPER SPACER | 4 | |
| - | 1 | 2161331-1 | SPACER, WIRE FUNNEL DEPRESSOR | 2 | |
| - | 1 | 467342-4 | CRIMPER, RIGHT HAND | 1 | |
| - | 77 | -2 | PART NO | DESCRIPTION | ITEM NO |

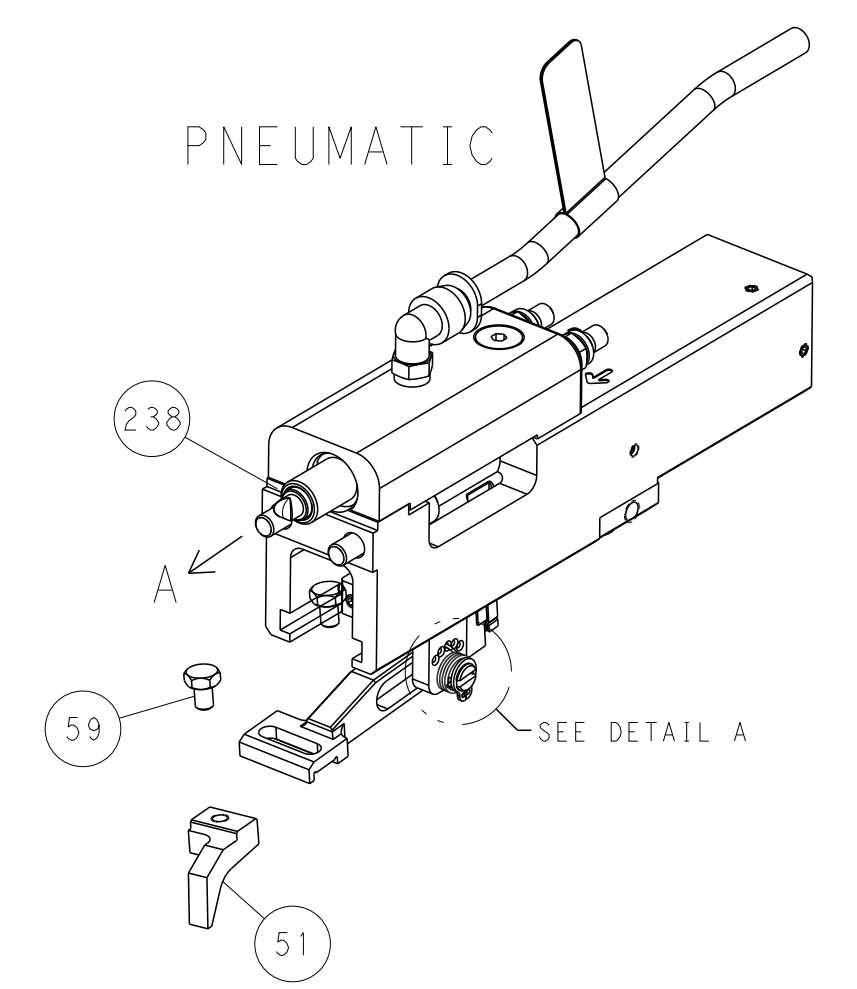
| | | | | | |
|-----------------------|--|---|--|--|--|
| DIMENSIONS: mm | | TOLERANCES UNLESS OTHERWISE SPECIFIED: 0 PLC ± 1 PLC ± 2 PLC ± 3 PLC ± 4 PLC ± ANGLES ± FINISH ± | | DWN B. WEAVER 19JUN2012 CHK T. ELBIN 19JUN2012 APVD T. ELBIN 19JUN2012 NAME PRODUCT SPEC APPLICATION SPEC SIZE CAGE CODE DRAWING NO RESTRICTED TO WEIGHT A 00779 C=2150268 Customer Accessible Production Drawing SCALE 1:1 SHEET 1 OF 4 REV D | |
|-----------------------|--|---|--|--|--|

| LOC | DIST | REVISIONS | | | |
|-----|------|-------------|------|-----|------|
| P | LTN | DESCRIPTION | DATE | DWN | APVD |
| A | 66 | SEE SHEET 1 | - | - | - |
| | | | | | |
| | | | | | |

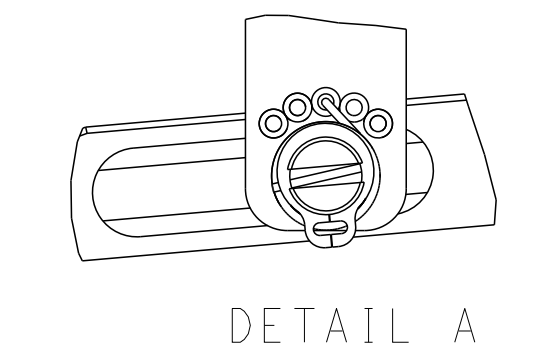


RAM SET-UP

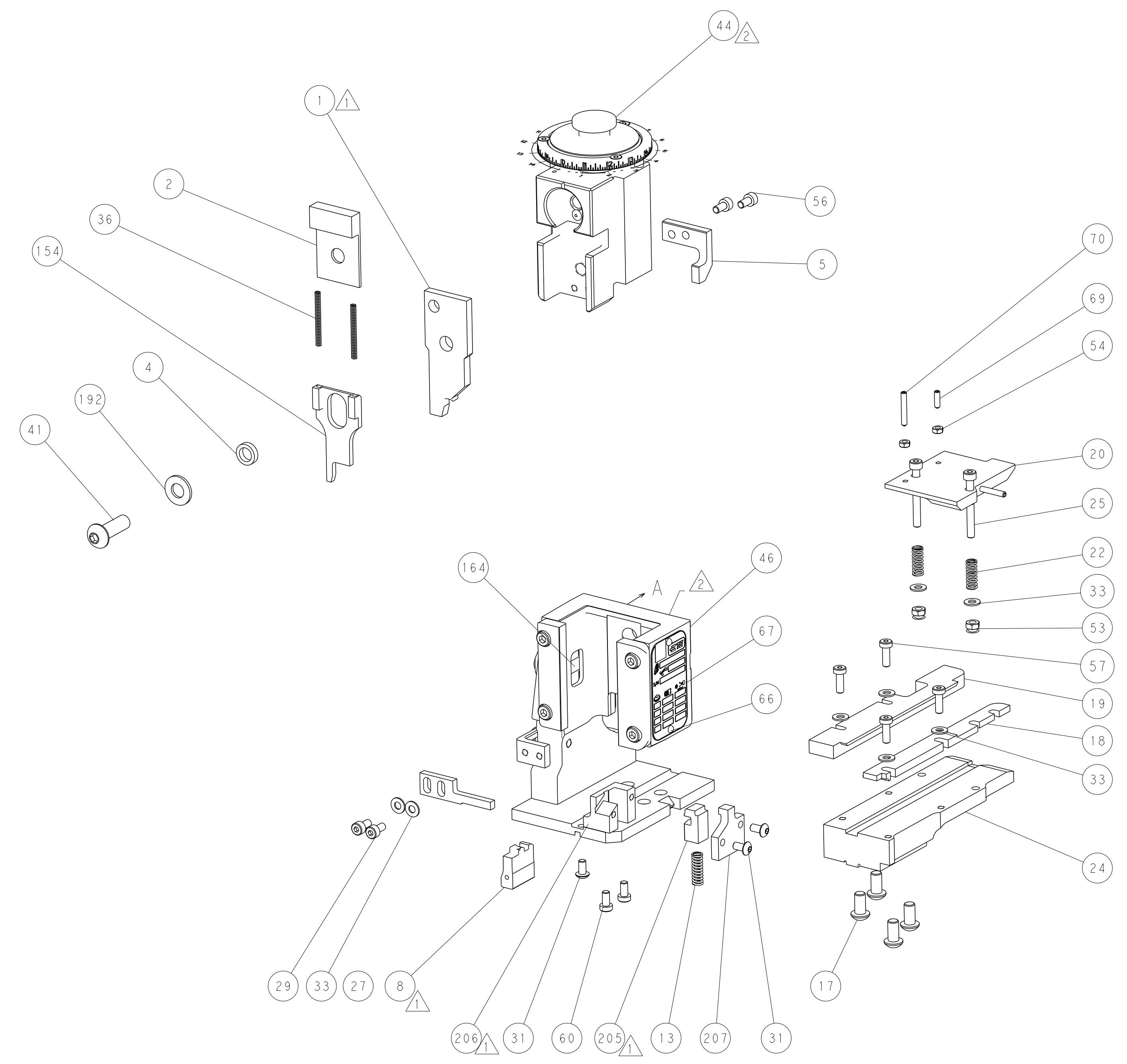
FEED TYPE



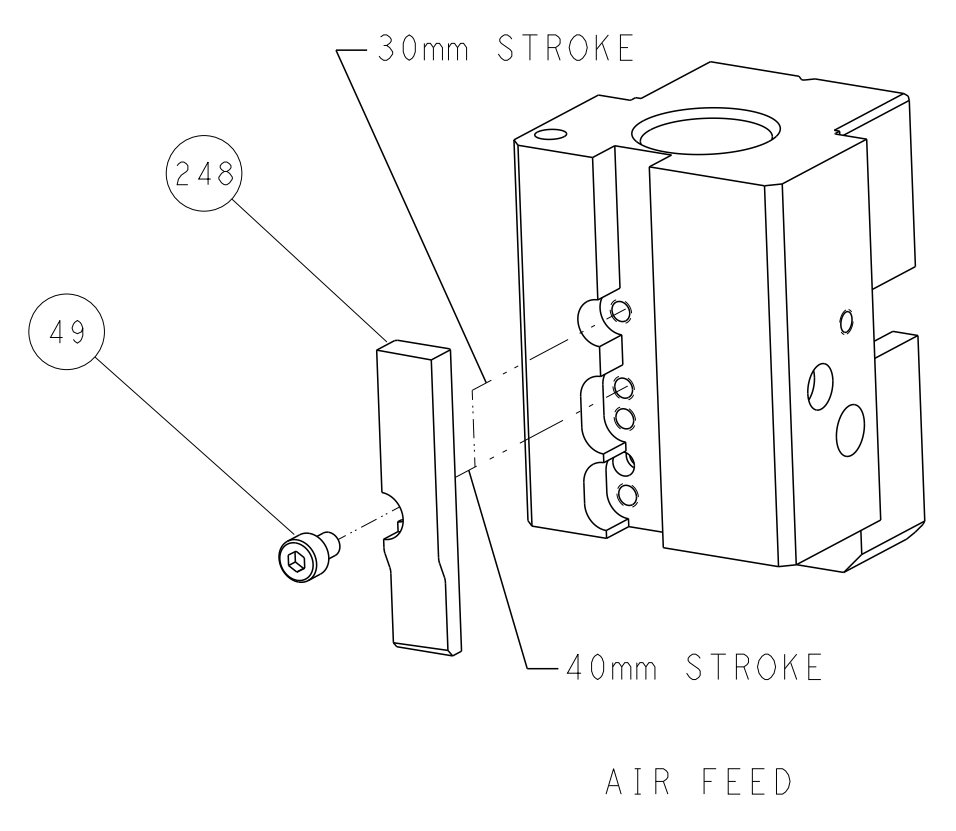
FEED SPRING SETTING POSITION



DETAIL A



CAM POSITION



AIR FEED

| | | | |
|---|---|--|---|
| <small>THIS DRAWING IS UNPUBLISHED. RELEASED FOR PUBLICATION 2012. COPYRIGHT 2012 BY TYCO ELECTRONICS CORPORATION. ALL RIGHTS RESERVED.</small> | | DWN: B. WEAVER 19JUN2012 CHK: T. ELBIN 19JUN2012 APVD: T. ELBIN 19JUN2012 | TE Connectivity Harrisburg, PA 17105-3608 |
| DIMENSIONS: mm | TOLERANCES UNLESS OTHERWISE SPECIFIED: 0 PLC ± 1 PLC ± 2 PLC ± 3 PLC ± 4 PLC ± ANGLES ± | NAME: Ocean End Feed Applicator PRODUCT SPEC: APPLICATION SPEC: SIZE: A1 CAGE CODE: 00779 DRAWING NO: C-2150268 | RESTRICTED TO: SCALE: 1:1 SHEET: 2 OF 4 REV: D |
| MATERIAL: - FINISH: - | | WEIGHT: - Customer Accessible Production Drawing | |