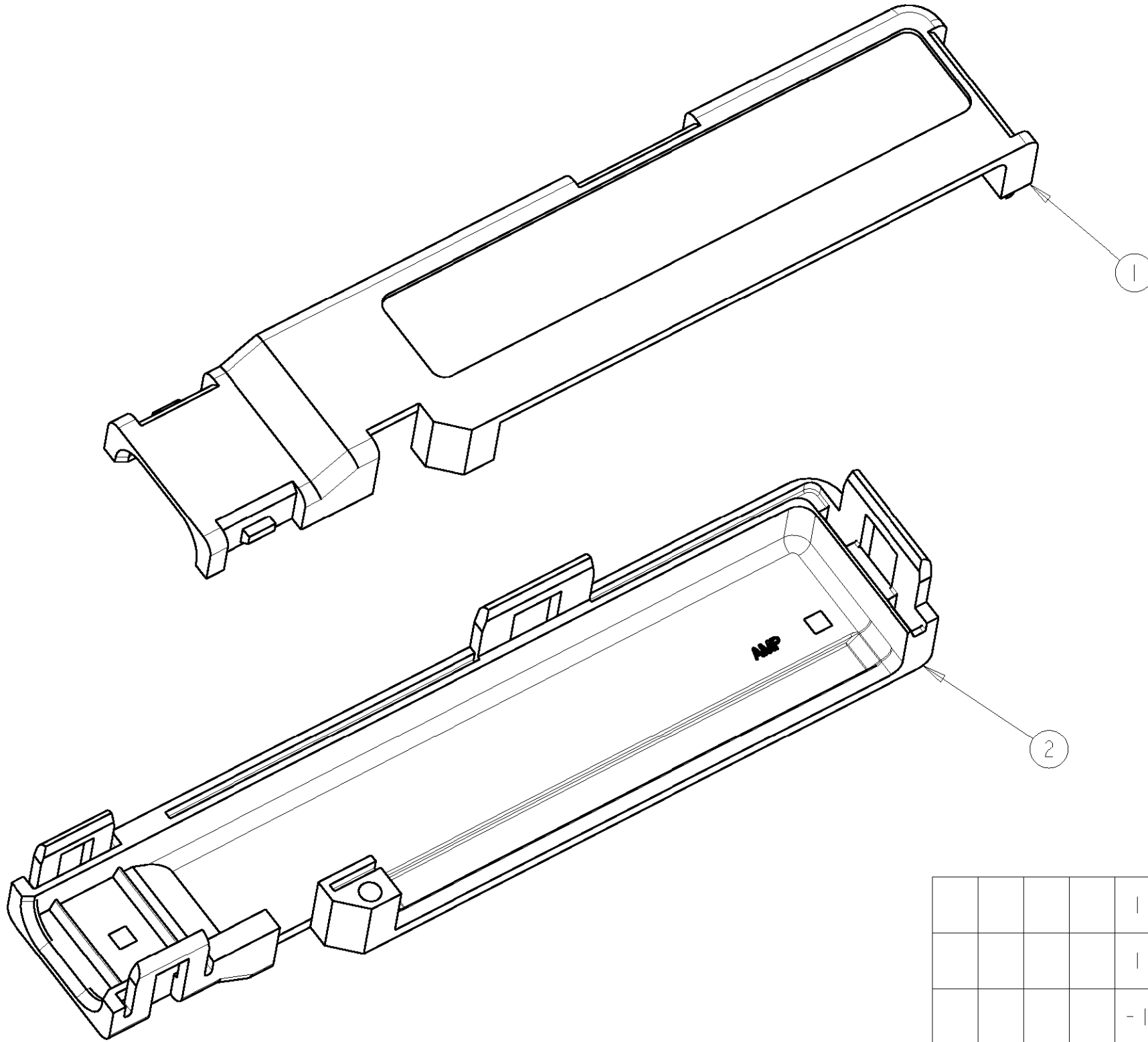


USED ON -

- 1. THIS KIT SHIPPED NOT ASSEMBLED.
- 2. BULK PACKAGE 100 KITS.



QTY REQD PER ASSY	DESCRIPTION	ITEM NO.
1	AI 1116786-1 COVER, SHLD, 90°, 50 POSN	GRV 2
1	AI 1116787-1 COVER, SHLD, 90°, 50 POSN	TNG 1
-1	DWG SIZE PART NO.	

DWN 17JAN2002		MATERIAL -		HEAT TREAT -	
CHK 17JAN2002		-		-	
DL DRUMMOND		Tyco Electronics Harrisburg, PA 17105-3608			
APVD 17JAN2002					
R. McCRAW		NAME COVER KIT, 90 DEGREE, 50 POSN, CHAMP			
SCALE 2:1	SIZE A3	DRAWING NO 1339519	SHEET 1	OF 1	REV A

DIMENSIONS: INCHES		TOLERANCES UNLESS OTHERWISE SPECIFIED:	
		0 PLC ±-	
		1 PLC ±-	
ANGLES ± -		2 PLC ±-	
SURFACE TEXTURE		3 PLC ±-	
		4 PLC ±-	

P	LTR	REVISION RECORD	DATE	DWN	APVD
A		REV PER EC 0S15-0190-02	02JUL2002	DD	RM
O		RLSD PER EC 0S15-0006-02	17JAN2002	DD	RM

LOC AA
DIST 10

DWG NO 1339519
THIS DRAWING IS A CONTROLLED DOCUMENT

THIS INFORMATION IS CONFIDENTIAL AND PROPRIETARY TO TYCO ELECTRONICS CORPORATION AND ITS WORLDWIDE SUBSIDIARIES AND AFFILIATES. IT MAY NOT BE DISCLOSED TO ANYONE, OTHER THAN TYCO ELECTRONICS PERSONNEL, WITHOUT WRITTEN AUTHORIZATION FROM TYCO ELECTRONICS CORPORATION, HARRISBURG, PENNSYLVANIA USA.