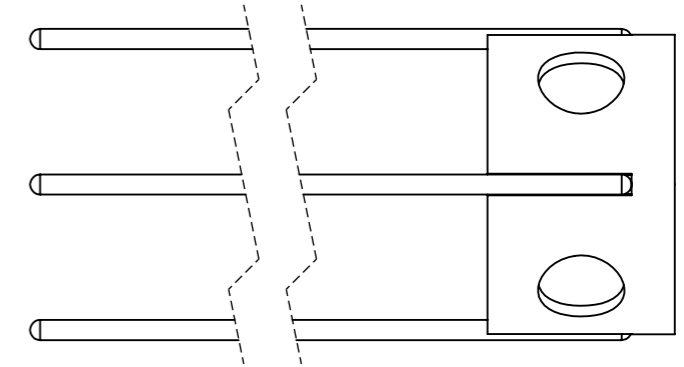
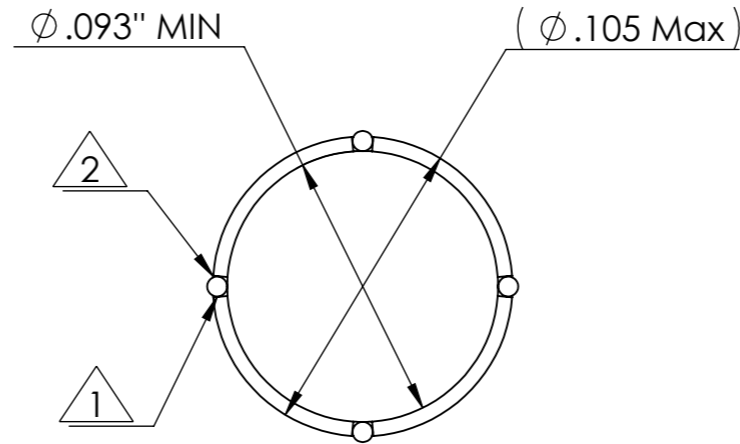
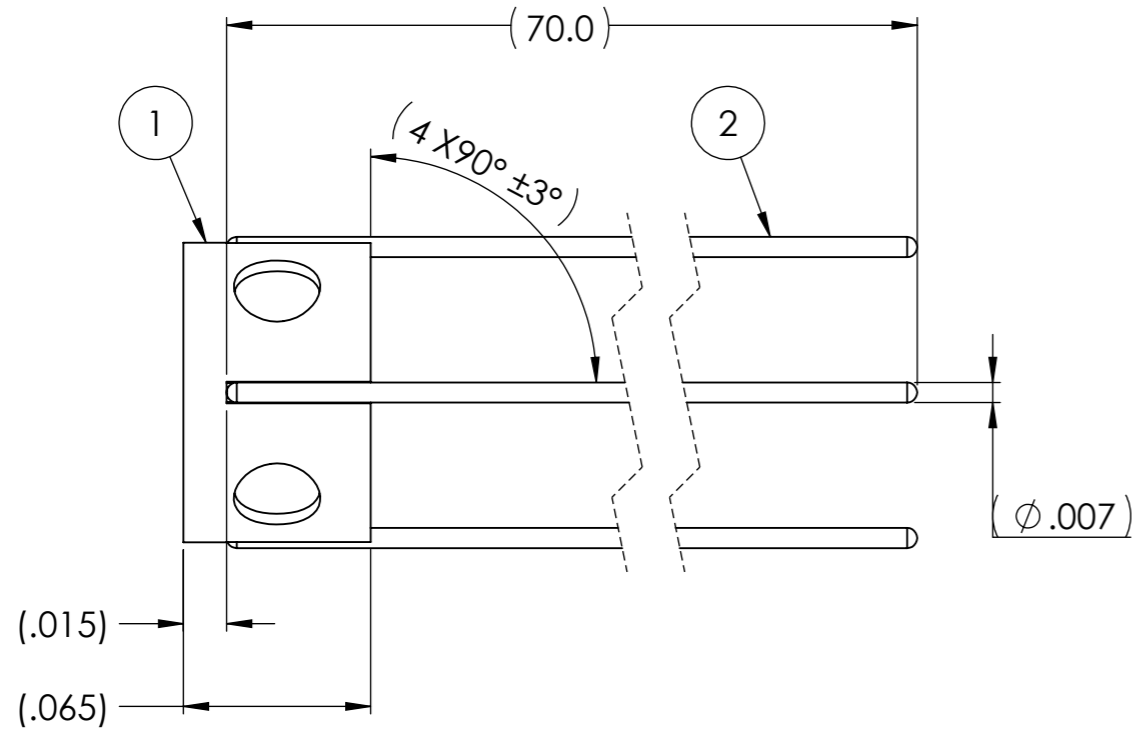




5108138 REV A

Change plan	Rev	Description	Release BY
CM5-25210	2	NOTES AND TOLERANCE UPDATE	NHV
CM5-25434	3	NOTES UPDATE	NHV



NOTES:

- ① RING TO WIRE WELD TO WITHSTAND TENSILE FORCE OF 10 LBS.
- ② WELD SURFACES TO BE FREE OF SPIKES AND CRACKS WHEN VIEWED AT 10X .
- 3. ASSEMBLY TO BE FREE OF GREASE, OIL AND FOREIGN MATERIAL WHEN VIEWED THROUGH NAKED EYE.
- 4. VISUAL INSPECT AT 10X FOR BURRS AND SHARP EDGES.

UNLESS OTHERWISE SPECIFIED - DIMENSIONS ARE IN INCHES - REMOVE ALL BURRS AND SHARP EDGES				
ASME Y14.5M-2018 APPLIES				
Drawn By MADHUSHREE R	DATE 15-MAR-23	Scale NTS	TITLE: Welded Assembly 8 Fr Pull Ring	
UNSPECIFIED TOLERANCE 3RD ANGLE 			Specification No. 4117468 REV. 3	
MATERIAL: FINISH: N/A HEAT TREAT: N/A			ERP No. 1000-3781-01 REV. 1 Customer Name: N/A Customer No. N/A REV. N/A	
DO NOT SCALE DRAWING			SHEET 1 OF 1 THIS DOCUMENT CONTAINS CONFIDENTIAL AND PROPRIETARY INFORMATION OF TE CONNECTIVITY CORPORATION UNAUTHORIZED USE OF THIS INFORMATION IS PROHIBITED	