



ESSAILEC® SAFETY SOCKETS

For current and voltage transformers

Improved operator 's safety with a cover mounted on socket back side to ensure IP20 protection.

Socket design: Make before Break- Break before make - closed contact
Color coding: green for current applications, grey / orange / blue for voltage applications.

ESSAILEC® test blocks allow to safely and easily perform test operations such as current and voltage measurement, monitoring, injection, repair or replacement of meters and protective relays installed in secondary circuits of current and voltage transformers or sensors.



CONTINUOUS OPERATION

Easy plug & play solution

- ESSAILEC® allows a simultaneous test of 1 to 4 circuits thanks to the combination of a plug and a socket.

Fast test operation

- Thanks to make before break principle, the current transformers short circuiting is automatically performed (no cursor or switch element to operate manually).
- Current testing without cutting the energy supply.



OPERATOR SAFETY

Operator's safety

- Full IP20 protection for the socket (front & rear) and IP40 with the cover.

Error free systems

- Coding system on plugs & sockets prevent from risks of mixing between various circuits.
- Protection against reverse plug insertion.

Unitary traceability

- Engraved on insulating body.



EASY TO INSTALL

Multiple choice of mounting

- Many mounting options, flush, half-base, rack.

Installation flexibility

- IP20 Cover Compatible for retrofit applications on existing installations.
- All sockets are delivered with IP20 cover and 2 IP20 combs.
- IP20 comb to be customized upon customer wiring.
- IP20 combs available for sales as spare parts.

CURRENT AND VOLTAGE TRANSFORMER APPLICATION

Essailec Safety Socket for current and voltage transformer



Description

- Socket delivered with cover and comb back side for IP20.
- Allow IP20 protection of socket back side, wired or not.
- Compatible for retrofit application on existing installations with the cover and comb available as spare parts.
- Comb to be customized upon customer wiring.

Main technical data

Connecting capacity		IEC 947-1 Current Application	IEC 947-1 Voltage Application
Ring tongue (VA)	Flexible	0.34 ... 10 mm ²	0.34 ... 10 mm ²
	Ø lug hole size	3 mm	3 mm
	Width	7.5 mm	7.5 mm
Body		Polycarbonate	Polycarbonate
Conductive parts		Gold-plated	Silver-plated
Rated voltage		400 V	400 V
Impulse withstand voltage		4000 V	4000 V
Pollution degree		3	3
Rated current		15 A	8 A
Short-circuit current		100 A/5 s ... 200 A/1 s	25 A/5 s ... 800 A/25 ms
Storage temperature range		-25 ... +70 °C	-25 ... +70 °C
Working temperature range		-10 ... +55 °C	-10 ... +55 °C
Protection without lid / with lid		IP20 / IP40	IP20 / IP40
Coding color		Green ■	Grey ■ Blue ■ Orange ■

Mounting instructions

Tool		Flat screwdriver Ø 4 mm Ø 0.157 in
		0.5 ... 0.8 Nm 4.4 ... 7.1 lb.in



Flush mounting



Half-base mounting

Ordering details

Socket design	Color	Type	Part Number	Pkg	Weight
				qty	(1 pce) g

Compatible products

Lid	Universal plug Ø 4 mm	2x4 poles bayonet Ø 4 mm	4 poles bayonet Ø 4 mm	1 pole bayonet Ø 4 mm
-----	--------------------------	--------------------------------	------------------------------	-----------------------------

Flush mounting

Make before Break	Green ■	CC-E-VA-SAFE	ISNA566014R0000	1	145
		CC-E-VA-6.6-SAFE	ISNA566015R0000	1	150
	Grey ■	TC-E-VA-SAFE	ISNA566022R0000	1	140
		TC-E-VA-2-2-SAFE	ISNA566018R0000	1	150
Break before make	Grey ■	TO-E-VA-SAFE	ISNA566019R0000	1	170
Closed contact	Grey ■	TF-E-VA-SAFE	ISNA566017R0000	1	170

CPC-1	FIC-2/4-DIA4	COR-C-R4-6.6 COR-C-RI-6.6	COR-C-R5-6.6 COR-C-R2-6.6	COR-C-R3 COR-C-3
Lid + coding included		COR-C-R4-6.6 COR-C-RI-6.6	COR-C-R5-6.6 COR-C-R2-6.6	COR-C-R3 COR-C-3
CPT-1	FI-2/4-DIA4	COR-T-R5-2.2	COR-T-4-4	
Lid + coding included		COR-T-R5-2.2	COR-T-4-4	
CPT-2	FI-2/4-DIA4	COR-T-R5-2.2 (1)	COR-T-4-4	
CPT-1			COR-T-4-4	

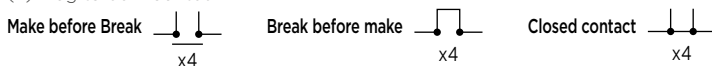
Half-base mounting

Make before Break	Green ■	CC-D-VA-SAFE	ISNA566016R0000	1	90
Break before make	Blue ■	PO-D-VA-SAFE	ISNA566020R0000	1	170
	Orange ■	DEO-D-VA-SAFE	ISNA566021R0000	1	140
Closed contact	Grey ■	TF-D-VA-SAFE	ISNA566023R0000	1	119
	Blue ■	PF-D-VA-SAFE	ISNA566024R0000	1	140
	Orange ■	DEF-D-VA-SAFE	ISNA566025R0000	1	140

CPC-1	FIC-2/4-DIA4	COR-C-R4-6.6 COR-C-RI-6.6	COR-C-R5-6.6 COR-C-R2-6.6	COR-C-R3 COR-C-3
CPP-2	FI-2/4-DIA4	COR-P-RI-8.8 (1)		
CPDE-2		FIDE-2/4 (2)		
CPT-1			COR-T-4-4	
CPP-1			FIP-1/4-D (2) FIP-1/4-G (2)	
CPDE-1			FIP-1/4-D (2) FIP-1/4-G (2)	

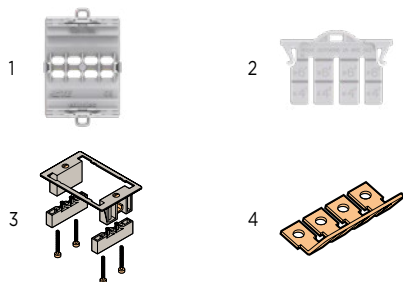
(1) Compatible with some restrictions.

(2) Plug to be mounted



CURRENT AND VOLTAGE TRANSFORMER APPLICATION

Essailec Safety Socket for current and voltage transformer



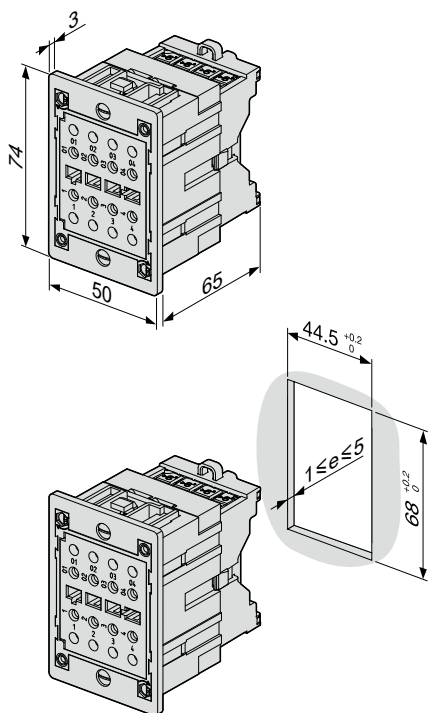
Accessories

Description	Color	Type	Part Number	Pkg qty	Weight (1 pce)	g
1 1 Cover + 2 IP20 combs kit	Grey	CPVA	ISNA566006R0000	1		19
2 IP20 comb	Grey	CPVA-PS	ISNA566007R0000	10		1
3 Mounting kit for ring-tongue flush mounting	Grey	KEM-1	ISNA166928R2000	50		18
4 Lateral jumper bars		PCVA	ISNA167496R1100	10		1

OUTER DIMENSIONS, MOUNTING INSTRUCTIONS

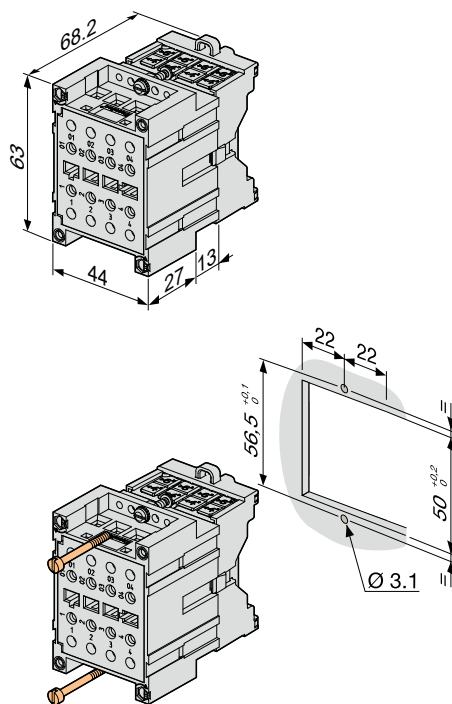
Sockets

Flush mounting



The flush mounting kit must be mounted on the socket prior to the installation on the panel.
Tightening torque = 0.5 Nm maxi.

Half-base mounting - Rack mounting



The rack mounting is supplied with 2 additional guiding pins.
0.5 Nm < Tightening torque < 0.8 Nm.

Connect With Us

We make it easy to connect with our experts and are ready to provide all the support you need. Visit te.com/support to chat with a Product Information Specialist.

te.com

© 2023 TE Connectivity Ltd. family of companies. All Rights Reserved.

ENTRELEC, TE Connectivity, TE connectivity (logo) and Every Connection Counts are trademarks. All other logos, products and/or company names referred to herein might be trademarks of their respective owners.

While TE has made every reasonable effort to ensure the accuracy of the information in this brochure, TE does not guarantee that it is error-free, nor does TE make any other representation, warranty or guarantee that the information is accurate, correct, reliable or current. TE reserves the right to make any changes to the information contained herein without prior notice. TE Connectivity assumes only those obligations set forth in the terms and conditions for this product and shall in no event be liable for any incidental, indirect, or consequential damages arising out of the sale, resale, use, or misapplication of the product. TE expressly disclaims any implied warranties with respect to the information contained herein, including, but not limited to, implied warranties of merchantability or fitness for a particular purpose. Dimensions, specifications and/or information contained herein are for reference purposes only and are subject to change without notice. Consult TE for the latest dimensions, specifications and/or information. Users of TE Connectivity products must make their own assessment as to whether the respective product is suitable for the respective desired application.

INDUSTRIAL / ENTRELEC ESSAILEC® SAFETY SOCKETS / BROCHURE / EN

04/23

BROCHURE

TE Connectivity
3, rue Jean Perrin
69687 Chassieu cedex
France
Tel: +33 481923100