



## CLIP ON KNITTED WIRE MESH RFI/EMI SHIELDING GASKET STRIP

Clip on knitted wire mesh gasket strip is a very flexible, easily compressible sponge EPDM tubular or bulb type gasket strip with a steel spring clip covered with a double knitted wire mesh layer for RFI/EMI shielding.

## APPLICATION

Provides a good RFI/EMI shield for enclosures and electrical cabinets. The soft hollow bulb profile requires low closure force and makes the product particularly suitable for door applications where frequent opening and closing is required. The clip on gasket is easy to fit and will bend up to 90 degrees. The knitted wire mesh gives very low contact resistance between mating surfaces ensuring good shielding. The choice of wire mesh material available also allows for a good galvanic match with mating flanges, thereby limiting the possibility of corrosion between gasket and flange.

## AVAILABILITY

- In continuous lengths
- Cut to length
- Fabricated into finished gaskets
- Variety of profiles and sizes
- Fabricated gaskets
- Selection of wire to meet galvanic compatibility requirements

Other profiles and NBR rubber are available to special order - please enquire to discuss your application

## DESIGN CONSIDERATIONS

- Consideration should be given to the termination of cut mesh ends. Sometimes loose wires are evident after cutting. Kemtron are experts at mesh termination however if you choose to cut the mesh yourself loose wires can be avoided by:
  - Dipping the end in glue,
  - Sewing the cut mesh end.
- Galvanic compatibility. Select from a choice of wire.
- Water and moisture sealing is not possible with this product. However, it does offer a limited dust seal.

## TYPICAL SHIELDING PERFORMANCE

H Field Magnetic				
MHz	10 kHz	100 kHz	1.0 MHz	10.0 MHz
Monel	28	45	64	>104
TCS	47	67	88	>104
S/St	35	43	50	-
Aluminium	36	47	64	>104

E Field Electric				
MHz	0.1 MHz	1.0 MHz	10.0 MHz	100 MHz
Monel	>118	>136	>123	99
TCS	>118	>136	>126	109
S/St	119	102	-	-
Aluminium	>118	>136	>120	91

P Field Plain Wave			
MHz	400 MHz	1.0 MHz	10.0 MHz
Monel	96	84	46
TCS	98	77	43
S/St	85	62	36
Aluminium	86	72	34

## PROFILE SHAPE 05



## PROFILE SHAPE 05

### Monel Alloy 400 Wire

Wire diameter 0.11mm  
 UK Specification to BS3075 NA13  
 USA Specification to AMS 4730

### Tin Plated Copper Clad Steel (TCS)

Wire diameter 0.11mm  
 UK Specification BS EN 50117-10-1\*, BS4087\*  
 USA Specification ASTM B277\*, ASTM B452\*, ASTM B520,  
 ASTM B33\*, AISI 1010

\* There is no complete specification for this material. Processes have been derived from parts of the above where applicable.

### Stainless Steel (S/St)

UK Specification BS EN 10088-3 2005 316 S19  
 Wire diameter 0.11mm

### Aluminium (Alu)

Specification BS EN 573 pt 3  
 Wire diameter 0.13mm

### EPDM

Sponge rubber (EPDM) black (clamping profile  
 EPDM 65 ± 5 shore A).  
 UL50  
 UL95-HB

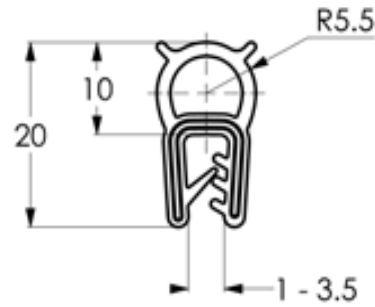
### Example

**6052** = profile shape 05 with Monel Wire Mesh

## HOW TO ORDER

The sizes shown on the tables are typical examples of our range other sizes are available on request. Each profile shape has its own part number and wire mesh material code.

## PROFILE

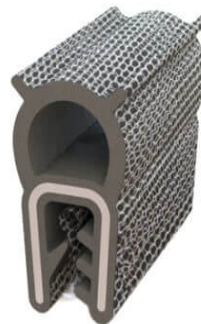


## MATERIAL CODES

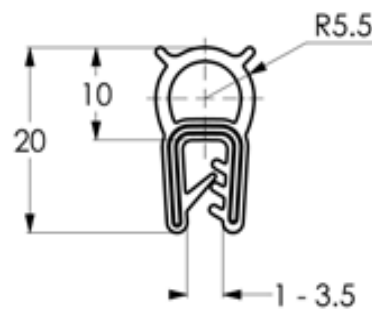
Mon	TCS	S/St	Alu
6052	6054	6056	6058

Other sizes are available on request.

## PROFILE SHAPE 49



## PROFILE



## MATERIAL CODES

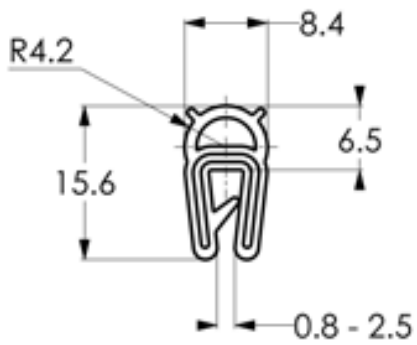
Mon	TCS	S/St	Alu
6492	6494	6496	6498

Other sizes are available on request.

## PROFILE SHAPE 10



### PROFILE



### MATERIAL CODES

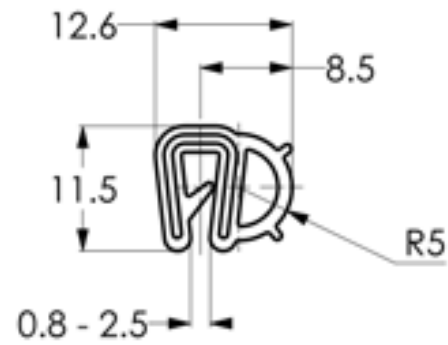
Mon	TCS	S/St	Alu
6102	6104	6106	6108

Other sizes are available on request.

## PROFILE SHAPE 09



### PROFILE

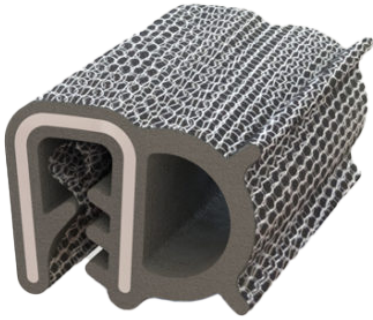


### MATERIAL CODES

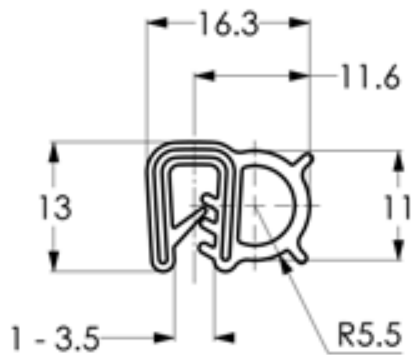
Mon	TCS	S/St	Alu
6092	6094	6096	6098

Other sizes are available on request.

## PROFILE SHAPE 06



### PROFILE

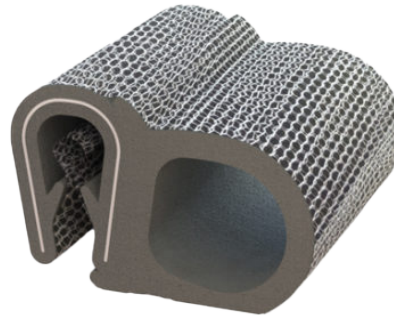


### MATERIAL CODES

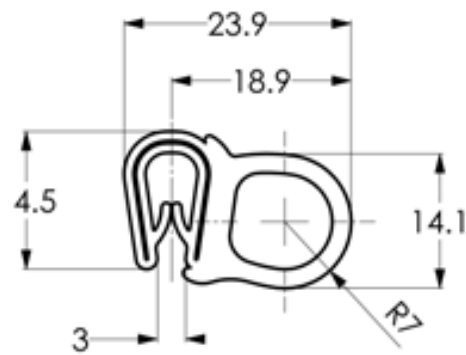
Mon	TCS	S/St	Alu
6062	6064	6066	6068

Other sizes are available on request.

## PROFILE SHAPE 19



### PROFILE



### MATERIAL CODES

Mon	TCS	S/St	Alu
6192	6194	6196	6198

Other sizes are available on request.

### Kemtron Extended Product Portfolio Contact Information

#### United Kingdom

Phone: +44 (0) 1376 348115

Email : info@kemtron.co.uk

#### France

Phone: + 33 (0) 160778316

Email : info@kemtron.fr

#### Germany

Phone: +44 (0) 1376348115

Email: info@kemtron.de

#### Rest of Europe

Phone: +44 (0) 1376348115

Email: info@kemtron.co.uk

#### Asia

Phone: +44 (0) 1376348115

Email : info@kemtron.co.uk

### te.com

TE Connectivity, TE Connectivity (logo) and Kemtron Proven EMC Shielding Solutions (logo) are trademarks owned or licensed by the TE Connectivity Ltd. family of companies. All other logos, products and/or company names referred to herein might be trademarks of their respective owners.

The information given herein, including drawings, illustrations and schematics which are intended for illustration purposes only, is believed to be reliable. However, TE Connectivity makes no warranties as to its accuracy or completeness and disclaims any liability in connection with its use. TE Connectivity's obligations shall only be as set forth in TE Connectivity's Standard Terms and Conditions of Sale for this product and in no case will TE Connectivity be liable for any incidental, indirect or consequential damages arising out of the sale, resale, use or misuse of the product. Users of TE Connectivity products should make their own evaluation to determine the suitability of each such product for the specific application.

©2023 TE Connectivity. All Rights Reserved.

03/23 Original