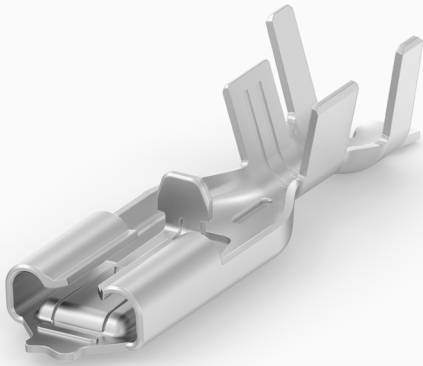


POSITIVE LOCK 4.8MM RECEPTACLES FOR HIGH CURRENT TABS

LOW INSERTION FORCE (LIF) RECEPTACLES WITH HIGH CURRENT CARRYING CAPACITY

The 4.8mm Positive Lock receptacles for high current tabs are compact, ergonomic terminals designed to support space constrained wire-to-wire and wire-to-board systems. They expand on the existing 4.8mm series of Positive Lock receptacles to accept thicker 0.8mm tabs for higher current applications. The Positive Lock receptacles have multiple ergonomic assembly features, including a low insertion force (LIF) design that supports faster assembly cycle time and a high retention force locking latch to prevent unintentional disconnection.



ELECTRICAL

- Test Current Rating: 15A
- Voltage Rating: 600V AC
- Wire sizes: 22-14AWG

MECHANICAL

- Tab Width: 4.8mm
- Tab Thickness: 0.8mm
- Maximum Insertion Force: 27N

MATERIALS

- Base: Brass
- Plating: Tin

STANDARDS & SPECIFICATIONS

- IEC 61210
- Product Specification: [108-106654](#)
- Application Specification: [114-106654](#)

FEATURES

- Low insertion force (LIF) terminal provides ergonomic assembly
- Positive locking latch ensures reliable connection with audible mating confirmation and high retention force
- Un-locking feature allows easy separation from tabs
- Compatible with both wire crimped and printed circuit board (PCB) mounted quick connect tabs

ADDITIONAL RESOURCES

For more information about TE Connectivity's Positive Lock receptacle offerings and compatible parts, please refer to these resources:

- [Positive Lock Terminals Product Webpage](#)
- [FASTON Quick Connect Terminals Catalogue](#)

APPLICATIONS



Small Home Appliances



Power Tools



Automation and Control

POSITIVE LOCK 4.8MM RECEPTACLES FOR HIGH CURRENT TABS

PART NUMBER

Wire Size (AWG)	Part Number	Applicator
22-18	2392417-1	4150051-1
16-14	2390259-1	2406230

te.com

TE Connectivity, TE connectivity (logo), TE, FASTON and Positive Lock are trademarks owned or licensed by the TE Connectivity Ltd. family of companies. All other logos, products and/or company names referred to herein might be trademarks of their respective owners.

While TE has made every reasonable effort to ensure the accuracy of the information in this brochure, TE does not guarantee that it is error-free, nor does TE make any other representation, warranty or guarantee that the information is accurate, correct, reliable or current. TE reserves the right to make any adjustments to the information contained herein at any time without notice. TE expressly disclaims all implied warranties regarding the information contained herein, including, but not limited to, any implied warranties of merchantability or fitness for a particular purpose. The dimensions in this catalog are for reference purposes only and are subject to change without notice. Specifications are subject to change without notice. Consult TE for the latest dimensions and design specifications.

© 2023 TE Connectivity. All Rights Reserved.

08/23