



## ANT-433-FPC-UFL-100

### Flexible Embedded 433 MHz Antenna

The Linx ANT-433-FPC antenna is a flexible embedded 433 MHz antenna for Sub-1 GHz and low-power, wide-area (LPWA) applications including LoRaWAN® and remote control applications. The 433-FPC also performs well in LTE cellular bands 87 and 88 at 410 MHz and LTE cellular bands 31, 72 and 73 at 450 MHz.

The ANT-433-FPC provides a ground plane independent dipole embedded antenna solution comparable in performance to an external antenna. The flexibility and adhesive backing makes the ANT-433-FPC antenna easy to mount in unique and custom enclosures, while enabling an environmentally sealed enclosure and protection from tampering or accidental antenna damage.

Connection is made to the radio via a 100 mm (3.94 in) long, 1.13 mm coaxial cable terminated in a U.FL-type plug (female socket).

### FEATURES

- Performance at 433 MHz
  - VSWR:  $\leq 2.5$
  - Peak Gain: -6.0 dBi
  - Efficiency: 9%
- Ground plane independent dipole antenna
- Compact, low-profile
  - 47 mm x 17 mm x 0.2 mm
- U.FL-type plug (female socket) Compatible with MHF1, AMC, UMCC
- Adhesive backing permanently adheres to non-metal enclosures using 3M 467MP™/200MP adhesive
- Flexible to fit in challenging enclosures

### APPLICATIONS

- Low-power, wide-area (LPWA) applications
  - LoRaWAN®, ITU-T Y.4480
- Internet of Things (IoT) devices
- Smart Home networking
- Remote control, monitoring and sensing
- 410 MHz LTE cellular bands 87 and 88
- 450 MHz LTE cellular bands 31, 72 and 73

### ORDERING INFORMATION

Part Number	Description
ANT-433-FPC-UFL-100	433 MHz antenna with 100 mm of 1.13 mm coaxial cable and U.FL-type plug (female socket)

Available from Linx Technologies and select distributors and representatives.

**TABLE 1. ELECTRICAL SPECIFICATIONS**

ANT-433-FPC-UFL	410 MHz	433 MHz	450 MHz
Frequency Range	410 MHz to 430 MHz	430 MHz to 435 MHz	450 MHz to 470 MHz
VSWR (max.)	4.1	2.5	3.4
Peak Gain (dBi)	-5.4	-6.0	-2.4
Average Gain (dBi)	-10.5	-10.8	-10.8
Efficiency (%)	10	9	15

Electrical specifications and plots measured on a 2.0 mm (0.08 in) thick acrylic sheet

**TABLE 2. MECHANICAL SPECIFICATIONS**

Parameter	Value
Polarization	Linear
Radiation	Omnidirectional
Max Power	2 W
Wavelength	1/2-wave
Electrical Type	Dipole
Impedance	50 Ω
Operating Temperature Range	-40 °C to +75 °C
Weight	0.6 g (0.02 oz)
Dimensions	47.0 mm x 17.0 mm x 0.2 mm (1.85 in x 0.67 in x 0.01 in)
Connection	U.FL-type plug (female socket) on 100 mm (3.94 in) of 1.13 mm coaxial cable.

**PRODUCT DIMENSIONS**

Figure 1 provides dimensions of the ANT-5GW-IPW2-NP antenna.

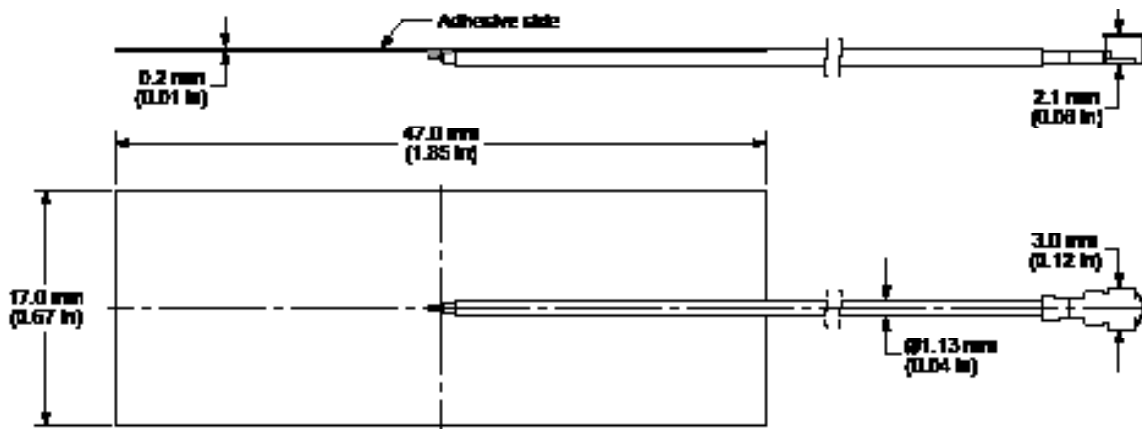


Figure 1. ANT-433-FPC-UFL-100 Dimensions

**ANTENNA MOUNTING**

The ANT-433-FPC-UFL-100 is a flexible, adhesive backed antenna that allows it to be permanently installed onto non-metallic surfaces. The adhesive backing is 3M 467MP™/200MP, which provides outstanding adhesion to high surface energy plastics. The adhesive delivers excellent shear strength to resist slippage and edge lifting, but can be repositioned temporarily to allow for repositioning. This adhesive is highly resistant to solvents, humidity and moisture, as well as heat up to 204 °C (400 °F) for short periods.

The antenna should never be bent to the point of creating a crease or allowing the angle of the bend to fall below 90 degrees (i.e. become acute) as this will impair function and may cause permanent damage

## PACKAGING INFORMATION

The ANT-433-FPC-UFL-100 antennas are individually sealed in a clear plastic sleeve. Individual sleeves are packed in a bags of 100 pcs. Distribution channels may offer alternative packaging options.

## VSWR

Figure 2 provides the voltage standing wave ratio (VSWR) across the antenna bandwidth. VSWR describes the power reflected from the antenna back to the radio. A lower VSWR value indicates better antenna performance at a given frequency. Reflected power is also shown on the right-side vertical axis as a gauge of the percentage of transmitter power reflected back from the antenna.

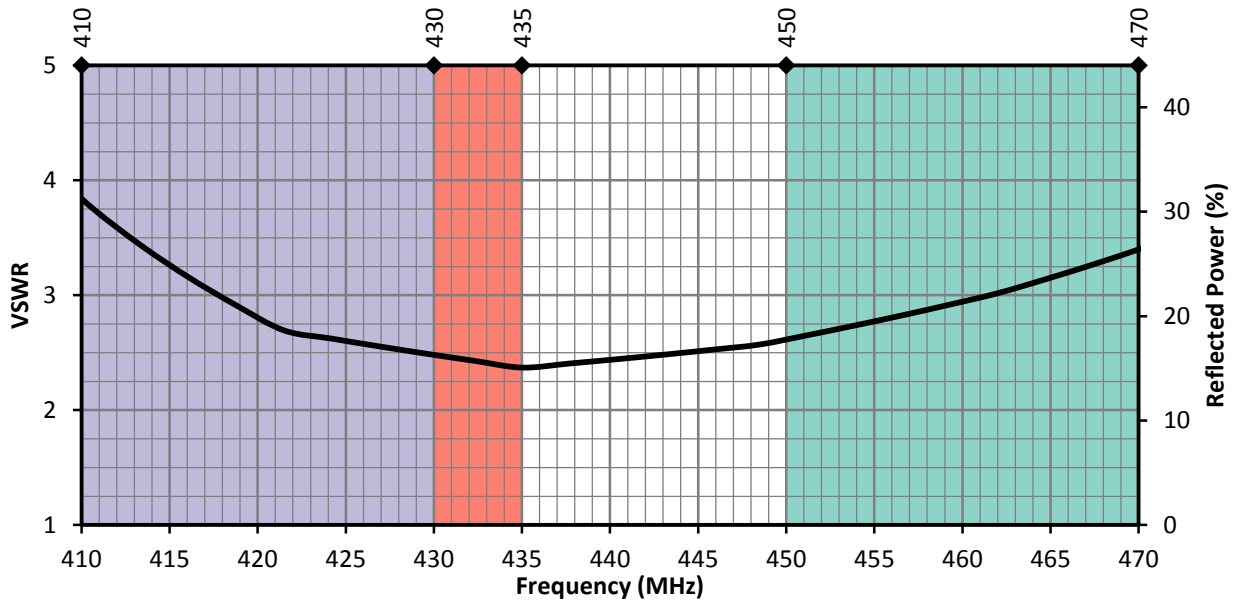


Figure 2. ANT-433-FPC Antenna VSWR with Frequency Band Highlights

## RETURN LOSS

Return loss (Figure 3), represents the loss in power at the antenna due to reflected signals. Like VSWR, a lower return loss value indicates better antenna performance at a given frequency.

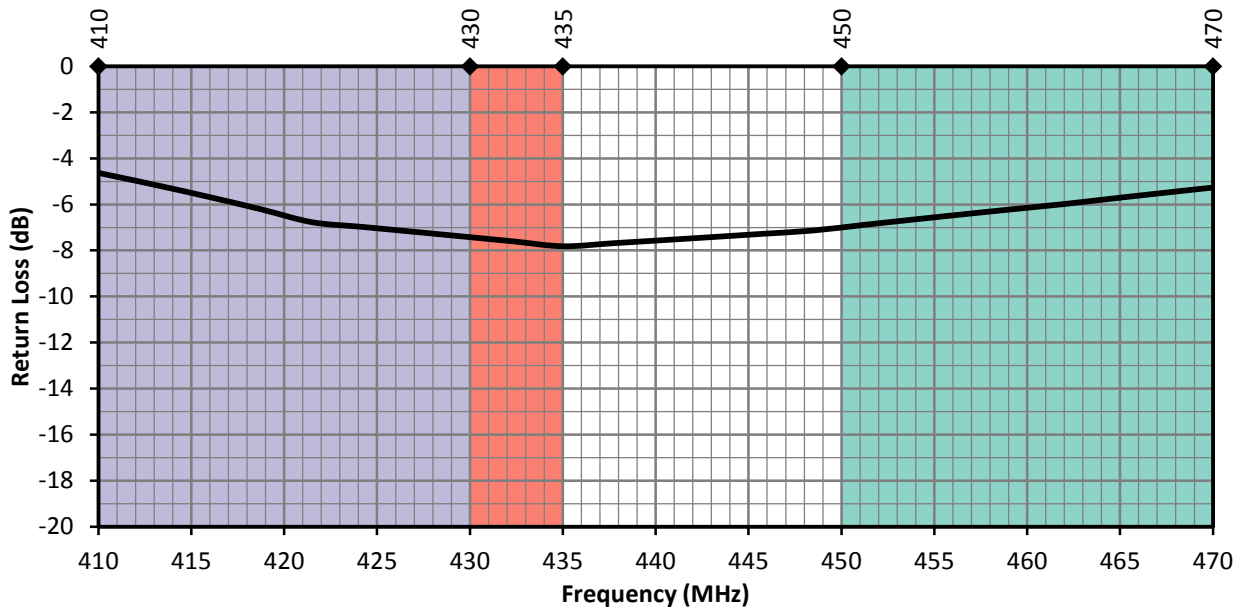


Figure 3 ANT-433-FPC Antenna Return Loss with Frequency Band Highlights

## PEAK GAIN

The peak gain across the antenna bandwidth is shown in Figure 4. Peak gain represents the maximum antenna input power concentration across 3-dimensional space, and therefore peak performance, at a given frequency, but does not consider any directionality in the gain pattern.

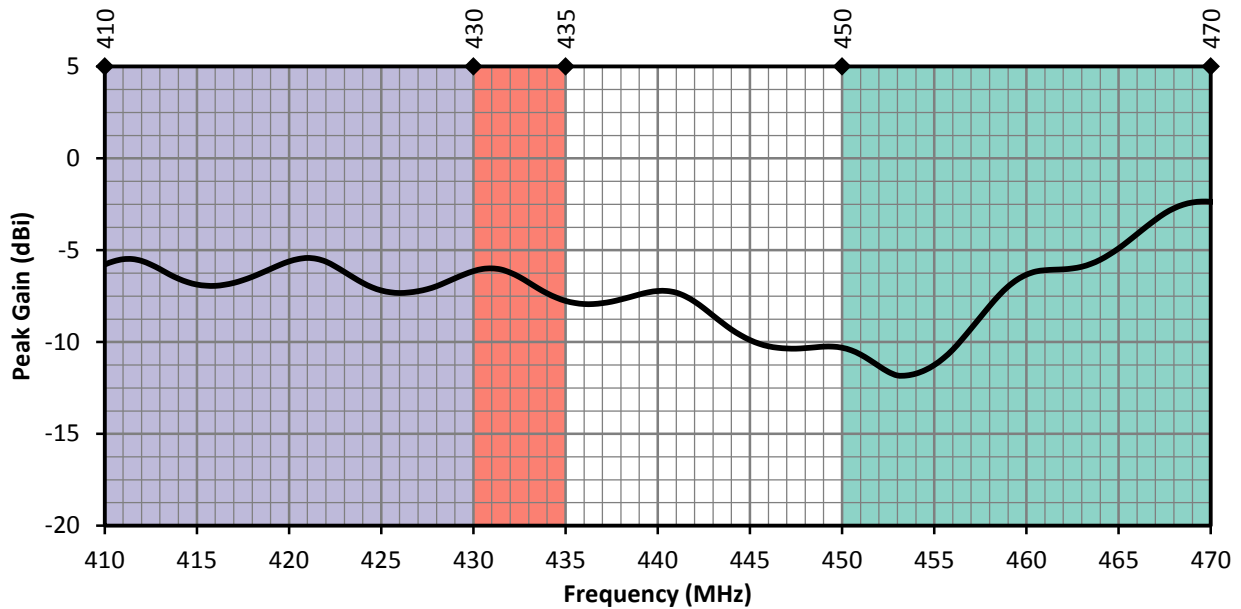


Figure 4. ANT-433-FPC Antenna Peak Gain with Frequency Band Highlights

## AVERAGE GAIN

Average gain (Figure 5), is the average of all antenna gain in 3-dimensional space at each frequency, providing an indication of overall performance without expressing antenna directionality.

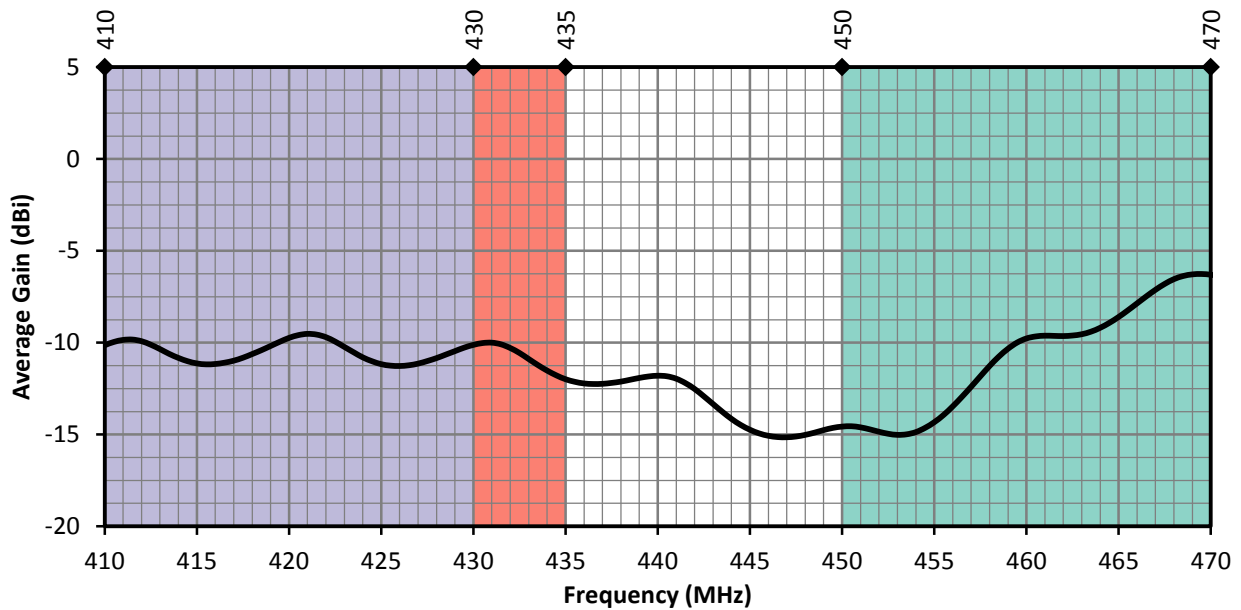


Figure 5. ANT-5GW-IPW2-NP Antenna Average Gain, Free Space

## RADIATION EFFICIENCY

Radiation efficiency (Figure 6), shows the ratio of power delivered to the antenna relative to the power radiated at the antenna, expressed as a percentage, where a higher percentage indicates better performance at a given frequency.

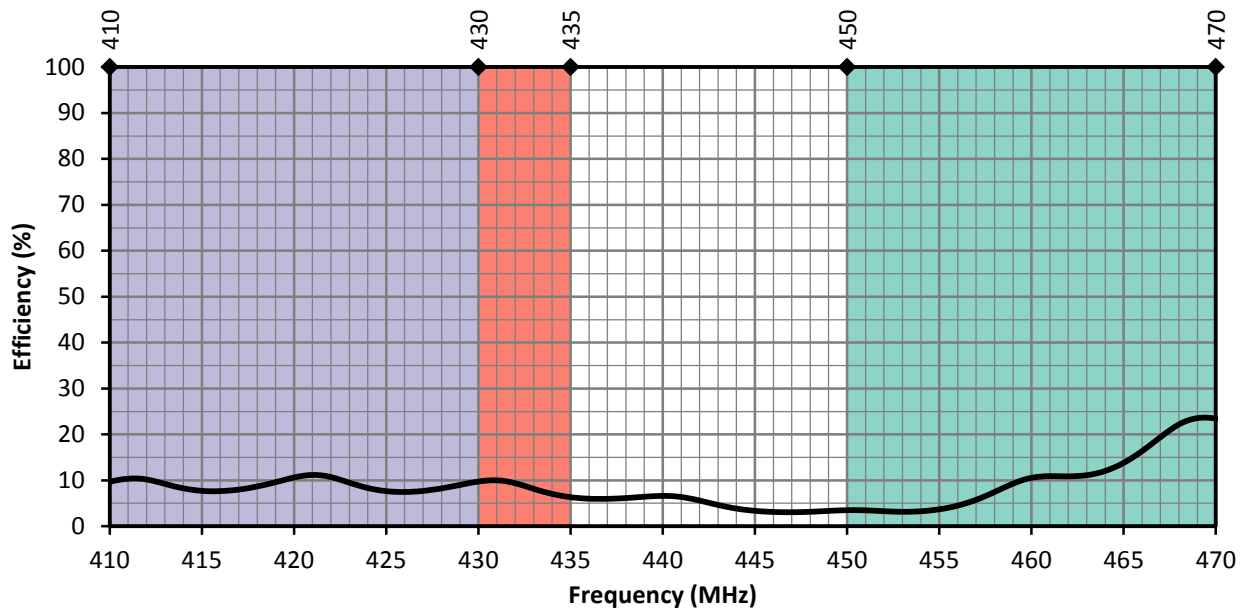
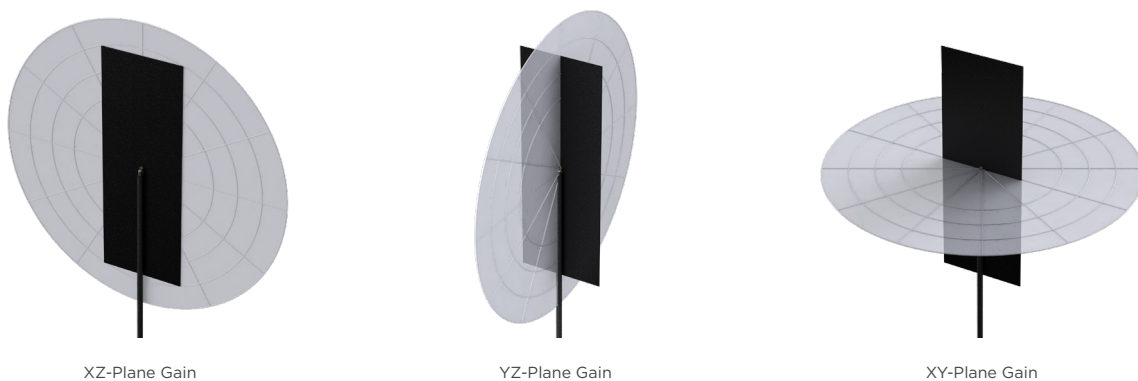


Figure 6. ANT-433-FPC Antenna Radiation Efficiency with Frequency Band Highlights

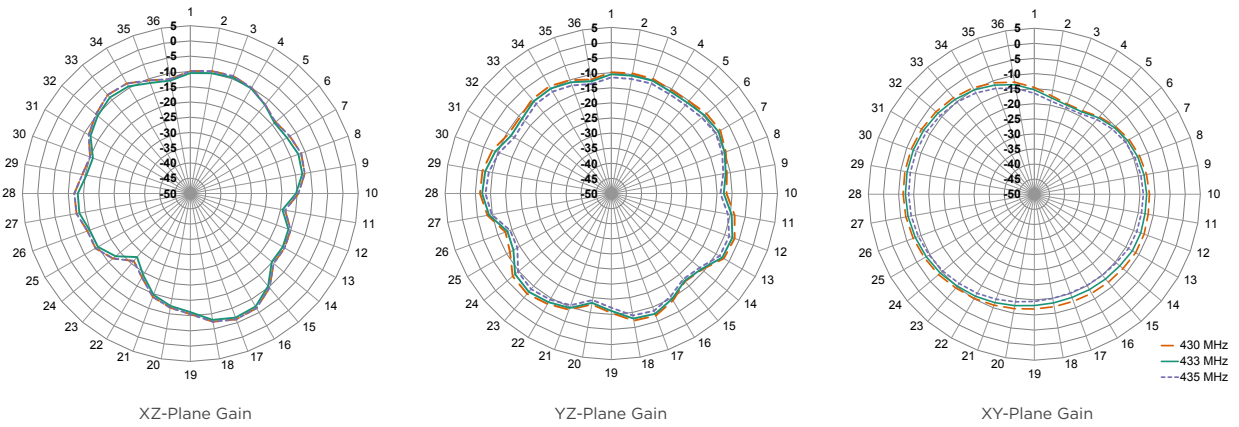
## RADIATION PATTERNS

Radiation patterns provide information about the directionality and 3-dimensional gain performance of the antenna by plotting gain at specific frequencies in three orthogonal planes. Antenna radiation patterns (Figure 7), are shown using polar plots covering 360 degrees. The antenna graphic above the plots provides reference to the plane of the column of plots below it. Note: when viewed with typical PDF viewing software, zooming into radiation patterns is possible to reveal fine detail.

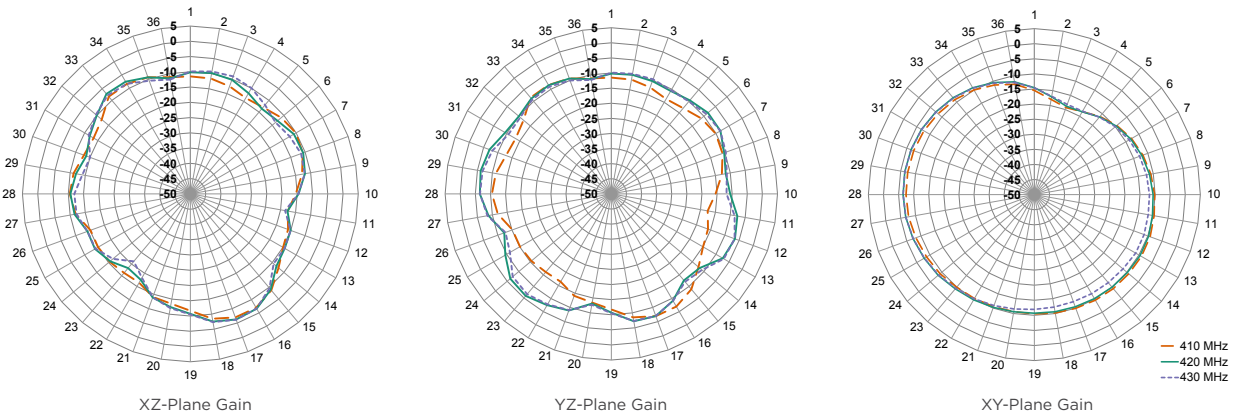
## RADIATION PATTERNS



## 430 MHz TO 435 MHz (433 MHz)



## 410 MHz TO 430 MHz (420 MHz)



## 450 MHz TO 470 MHz (460 MHz)

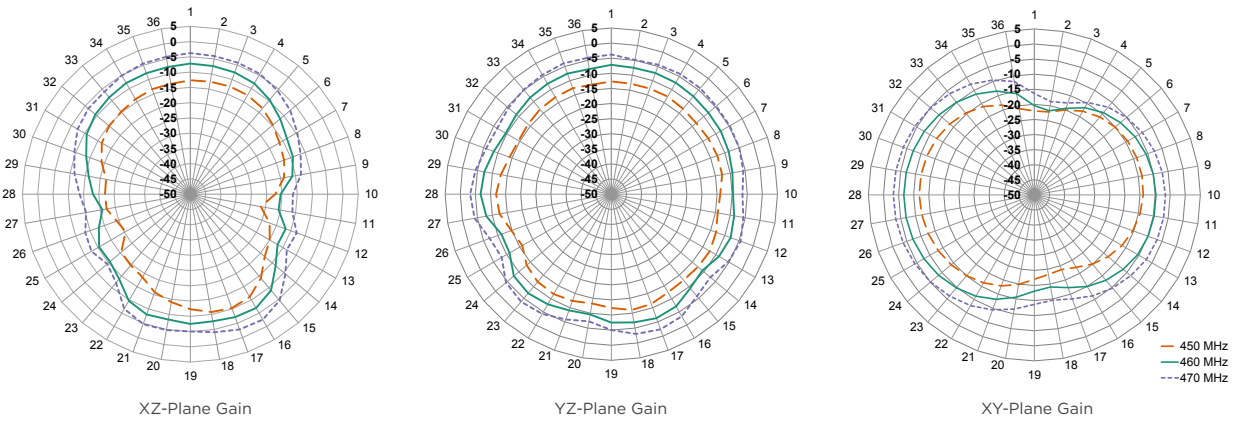


Figure 7. Radiation Patterns for ANT-433-FPC-UFL-100 Antenna

---

## TE TECHNICAL SUPPORT CENTER

USA:	+1 (800) 522-6752
Canada:	+1 (905) 475-6222
Mexico:	+52 (0) 55-1106-0800
Latin/S. America:	+54 (0) 11-4733-2200
Germany:	+49 (0) 6251-133-1999
UK:	+44 (0) 800-267666
France:	+33 (0) 1-3420-8686
Netherlands:	+31 (0) 73-6246-999
China:	+86 (0) 400-820-6015

## te.com

TE Connectivity, TE, TE connectivity (logo), Linx and Linx Technologies are trademarks owned or licensed by the TE Connectivity Ltd. family of companies. All other logos, products and/or company names referred to herein might be trademarks of their respective owners.

The information given herein, including drawings, illustrations and schematics which are intended for illustration purposes only, is believed to be reliable. However, TE Connectivity makes no warranties as to its accuracy or completeness and disclaims any liability in connection with its use. TE Connectivity's obligations shall only be as set forth in TE Connectivity's Standard Terms and Conditions of Sale for this product and in no case will TE Connectivity be liable for any incidental, indirect or consequential damages arising out of the sale, resale, use or misuse of the product. Users of TE Connectivity products should make their own evaluation to determine the suitability of each such product for the specific application.

TE Connectivity warrants to the original end user customer of its products that its products are free from defects in material and workmanship. Subject to conditions and limitations TE Connectivity will, at its option, either repair or replace any part of its products that prove defective because of improper workmanship or materials. This limited warranty is in force for the useful lifetime of the original end product into which the TE Connectivity product is installed. Useful lifetime of the original end product may vary but is not warranted to exceed one (1) year from the original date of the end product purchase.

©2022 TE Connectivity. All Rights Reserved.

09/22 Original