

# W33 SERIES

ONE- AND TWO-POLE, SWITCHABLE  
THERMAL CIRCUIT BREAKER / POWER SWITCH  
WITH OPTIONAL INDICATOR LAMP

## INTRODUCTION

W33 is an up to 20A rocker type, push-to-reset, thermal overload secondary protection circuit breaker with switch/overload sensing capability as well as an illumination option. Available in different configurations, this Circuit Breaker can be used in a wide variety of applications.



## FEATURES

- Combines on/off switch and circuit protection in a single unit. Integral dual QC terminals.
- 2 to 20 amp ratings (<2A types available as special order).
- One or two pole sensing.
- Lighted or non-lighted rocker actuator in various colors.
- Convenient, snap-in mounting.
- Trip-free operation.

## APPLICATION

Treadmills, HVAC (Transformer), Appliance (ovens/coffee makers), Electrical Panels, Power Distribution/Generators, Spa Controls, Test and Measurement Equipment, Battery chargers, Surge protection / UPS systems

## APPROVALS

W33 series is UL 1077 Recognized as Supplementary Protectors, File E69543, and CSA Accepted as Supplementary Protectors (Appliance Component Protectors), File LR15734.



Users should thoroughly review the technical data before selecting a product part number. It is recommended that users also seek out the pertinent approvals files of the agencies/laboratories and review them to ensure the product meets the requirements for a given application.

# W33 series

## ONE- AND TWO-POLE

### ELECTRICAL DATA @ 25°C

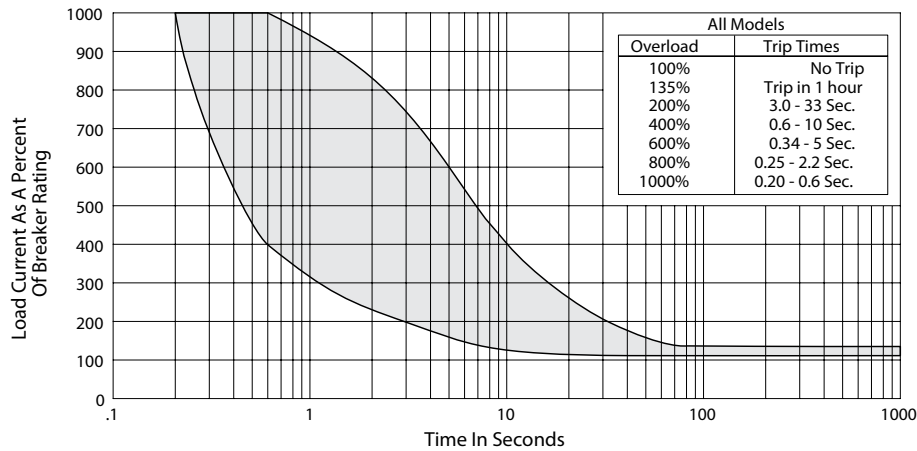
Calibration	Breaker will continuously carry 100% of rated load. It may trip between 101% and 135%, but must trip at 135% within one hour at +25°C.
Dielectric Strength	Over 2,000 volts RMS.
Maximum Operating Voltages	50VDC; 250VAC to 400 Hz.
Interrupt Capacity	1,000 amps at 50VDC; 250VAC, 60 Hz. and 125/250VAC, 400 Hz. 1,500 amps at 125/250VAC, 60 Hz.
Resettable Overload Capacity	Ten times rated current.

### MECHANICAL/ENVIRONMENTAL DATA

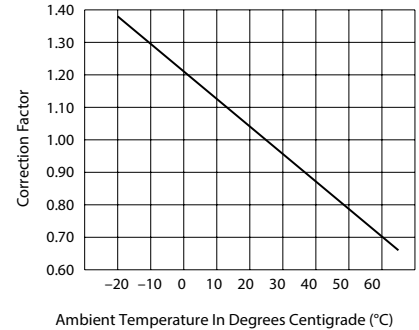
Termination	
Poles 1&2	.250" (6.35mm) quick connect/ solder terminals.
Maximum Operating Voltages	50VDC; 250VAC to 400 Hz.
Mounting	Snaps into panel from front.
Actuator	Rocker or lighted rocker.
Shock	30g tested to IEC 68-2-27, test Ea.
Vibration	8g tested to IEC 68-2-6, test Fc.
Switch Endurance Cycling	50,000 operations at rated load. 1,000 operations at 200% rated load.

### GRAPHS

Time vs. Current Trip Curve @ +25°C

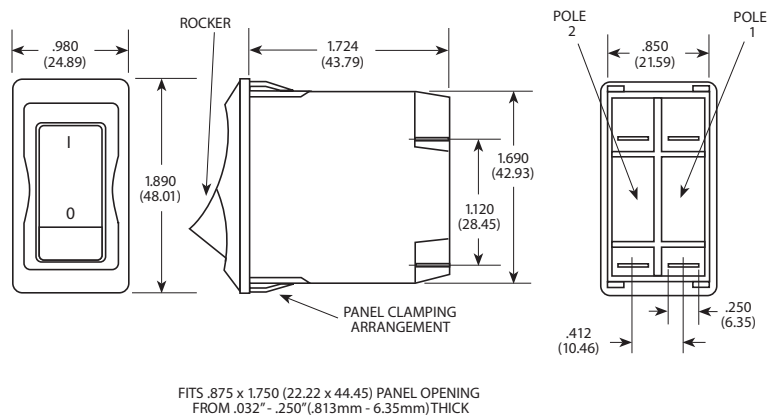


Ambient Compensation Chart

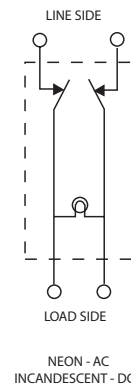


To use this chart: Read up from the ambient temperature to the curve, and across to find a correction factor. Multiply the breaker rating by the correction factor to determine the compensated rating. Calculate the overloads in terms of the compensated rating to use the published trip curve.

### OUTLINE DIMENSIONS



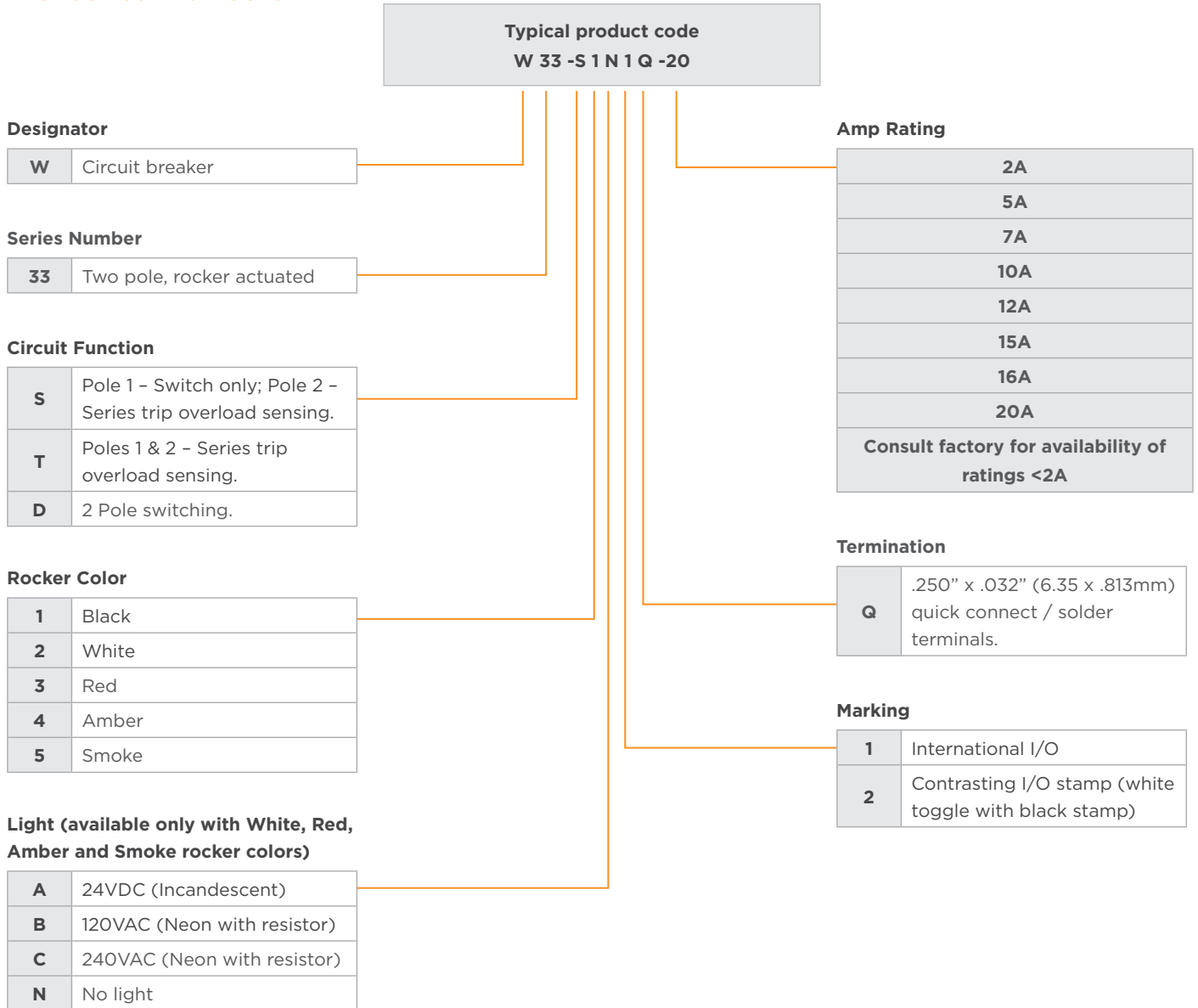
### SCHEMATIC



#### Notes:

- Dimensions are shown for reference purposes only.
- Dimensions are in inches over (millimeters) unless otherwise specified.
- Specifications and availability subject to change.

## PRODUCT CODE STRUCTURE



## STOCK ITEMS

Authorized distributors are more likely to stock the following items.

W33-S1N1Q-5

W33-S1N1Q-20

W33-S4B1Q-15

W33-T4B1Q-5

W33-T4B1Q-15

W33-S1N1Q-15

W33-S4B1Q-10

W33-T2N1Q-20

W33-T4B1Q-10

## te.com

©2022 TE Connectivity. All Rights Reserved.

TE Connectivity, TE Connectivity (logo) and Every Connection Counts are trademarks. All other logos, products and/or company names referred to herein might be trademarks of their respective owners.

The information given herein, including drawings, illustrations and schematics which are intended for illustration purposes only, is believed to be reliable. However, TE Connectivity makes no warranties as to its accuracy or completeness and disclaims any liability in connection with its use. TE Connectivity's obligations shall only be as set forth in TE Connectivity's Standard Terms and Conditions of Sale for this product and in no case will TE Connectivity be liable for any incidental, indirect or consequential damages arising out of the sale, resale, use or misuse of the product. Users of TE Connectivity products should make their own evaluation to determine the suitability of each such product for the specific application.

09/22 ED