

FEATURES

- ♦ Low cost
- ♦ Fast response, excellent thermal tracking
- ♦ High accuracy thermistor

Applications

- ♦ Monitor heat sinks
- ♦ Temperature recording of power transistors
- ♦ Any flat surface requiring thermal overload protection

RT24 SURFACE TEMPERATURE SENSOR

SPECIFICATIONS

- ♦ Highly accurate NTC thermistor
- ♦ Operating temperature range -40°C to 150°C
- ♦ 2,000 Volt AC isolation between sensor and terminal
- ♦ Available with 3K, 5K, and 10K nominal resistance
- ♦ Available with #6, #8, or #10 stud hole size
- ♦ #24 AWG solid silver plated copper leads
- ♦ PVFD insulation, black (optional: red, blue)

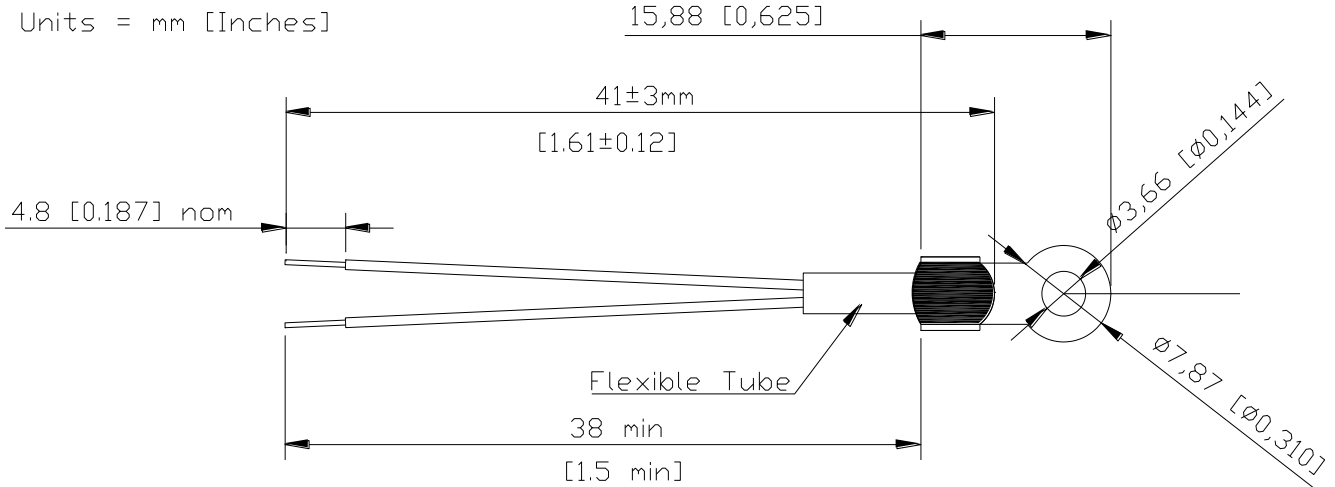
Model RT24 is a cost-effective surface temperature sensor that provides fast response time over a wide range of temperatures

RT24 SURFACE TEMPERATURE SENSOR

PERFORMANCE SPECS

Parameters	Units	Value	Tolerance
Resistance	Ohms	3K, 5k, or 10K at 25C	2%
Beta 25/85	Kelvin	3976	2%
Operating Temperature	Celsius	-40 to +150	N/A

MECHANICAL DETAILS



ORDERING INFORMATION

Part Number	Description	Resistance (Ω) @ 25 °C	Hole Size	Lead Wire Color
A1004RT24K1-F	NTC THERMISTOR ASSEMBLY	10,000 ± 2%	#6 stud (Ø0.144")	Black

Note: Contact the factory for specific design or application information or the availability of options

NORTH AMERICA

Measurement Specialties, Inc.,
a TE Connectivity Company
1711 139th Lane NW
Andover, MN 55304
Tel: +1 763 689 4870
Fax: +1 763 689 5033
customer@te.com

TE.com/sensorsolutions

Measurement Specialties, Inc., a TE Connectivity company.

Measurement Specialties (MEAS), American Sensor Technologies (AST), TE Connectivity, TE Connectivity (logo) and EVERY CONNECTION COUNTS are trademarks. All other logos, products and/or company names referred to herein might be trademarks of their respective owners.

The information given herein, including drawings, illustrations and schematics which are intended for illustration purposes only, is believed to be reliable. However, TE Connectivity makes no warranties as to its accuracy or completeness and disclaims any liability in connection with its use. TE Connectivity's obligations shall only be as set forth in TE Connectivity's Standard Terms and Conditions of Sale for this product and in no case will TE Connectivity be liable for any incidental, indirect or consequential damages arising out of the sale, resale, use or misuse of the product. Users of TE Connectivity products should make their own evaluation to determine the suitability of each such product for the specific application.

© 2016 TE Connectivity Ltd. family of companies All Rights Reserved.