

Connector



Sensor & Tempheart



MODEL 4499RJ STERILE, SINGLE-USE, SKIN PROBE

SPECIFICATIONS

- FDA cleared under 510(k) K883793
- Sterile single-use probe
- Skin surface measurement
- 400 series nominal resistance response curve
- 2252.4 Ohm resistance @ 25°C (including adaptor cable lead wire resistance)
- Interchangeable $\pm 0.1^{\circ}\text{C}$, 25°C to 45°C
- RJ-11 style connector
- Reflective adhesive “Tempheart” pad included
- RoHS Compliant

400-series sterile single-use temperature probe for skin surface measurement.

FEATURES

- Standard 400 series resistance response
- Skin probe sensor with adhesive “Tempheart”
- Individual Sterile pouch with 3-year shelf life
- RJ-11 style connector
- 20 probes per box
- Disposable

APPLICATIONS

- Continuous patient monitoring
- Skin temperature measurement

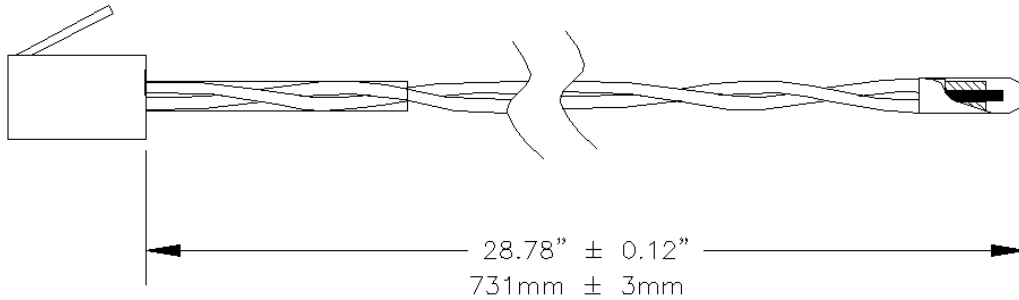


MODEL 4499RJ STERILE, SINGLE-USE, SKIN PROBE

PERFORMANCE SPECS

Parameters	Units	Value
Resistance @ 25°C (including lead resistance)	Ohms	2252.4
Tolerance 25°C to 45°C	°C	± 0.1
Recommended equilibration time before measurement	Minutes	> 3
Insulation Resistance 500 VAC for 1 Sec.)	Mega Ohms	> 100

MECHANICAL DETAILS



RESISTANCE V TEMPERATURE TABLE

Temp °C	K Ohms	Temp °C	K Ohms	Temp °C	K Ohms	Temp °C	K Ohms
25	2.2524	30	1.8154	35	1.4714	40	1.2004
26	2.1564	31	1.7394	36	1.4124	41	1.1524
27	2.0644	32	1.6674	37	1.3554	42	1.1074
28	1.9774	33	1.5994	38	1.3014	43	1.0644
29	1.8944	34	1.5334	39	1.2494	44	1.0234
						45	0.9842

MODEL 4499RJ STERILE, SINGLE-USE, SKIN PROBE

ORDERING INFORMATION

Part Number	Description	Ω @25°C
861551TP	4499RJ Skin Probe (Box of 20)	2252.4 *

* When using 4940 adaptor cable

NORTH AMERICA

Measurement Specialties, Inc.,
a TE Connectivity Company
1711 139th Lane NW
Andover, MN 55304
Tel: +1 763 689 4870
Fax: +1 763 689 5033
customer@te.com

TE.com/sensorsolutions

Measurement Specialties, Inc., a TE Connectivity company.

Measurement Specialties (MEAS), American Sensor Technologies (AST), TE Connectivity, TE Connectivity (logo) and EVERY CONNECTION COUNTS are trademarks. All other logos, products and/or company names referred to herein might be trademarks of their respective owners.

The information given herein, including drawings, illustrations and schematics which are intended for illustration purposes only, is believed to be reliable. However, TE Connectivity makes no warranties as to its accuracy or completeness and disclaims any liability in connection with its use. TE Connectivity's obligations shall only be as set forth in TE Connectivity's Standard Terms and Conditions of Sale for this product and in no case will TE Connectivity be liable for any incidental, indirect or consequential damages arising out of the sale, resale, use or misuse of the product. Users of TE Connectivity products should make their own evaluation to determine the suitability of each such product for the specific application.

© 2016 TE Connectivity Ltd. family of companies All Rights Reserved.