

## SMD4 (0402) NTC THERMISTORS

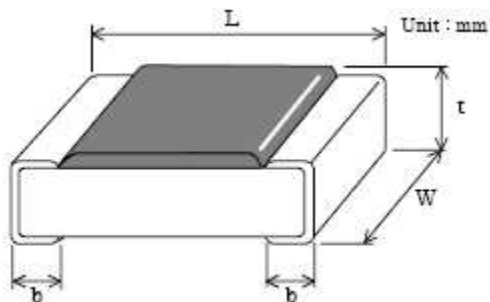
### SPECIFICATIONS

- 0.04K to 200K Ohms Resistance @ +25°C
- Tape and Reel packaging for automatic placement
- Available in  $\pm 1\%$ ,  $\pm 3\%$ ,  $\pm 5\%$  or  $\pm 10\%$  tolerance @ +25°C
- Cost effective

### SMD4 SERIES THERMISTORS

Standard Surface Mount NTC Thermistor available in the 0402 package.

### Dimensions



	L	W	t	b
SMD4	$1.00 \pm 0.2$	$0.5 \pm 0.2$	0.7 mm Max.	$0.2 \pm 0.1$

### FEATURES

- 0.04 to 200K Ohms Resistance @ +25°C
- Tape & Reel packaging for automatic placement
- Low cost
- Temperature range -40°C to +125°C
- RoHS Compliant
- Proven Stability and Reliability

### APPLICATIONS

- Temperature sensing, control and detection
- Temperature compensation of transistors, IC's and crystal oscillators in mobile
- Consumer electronics
- Automotive electronics
- LCD controls

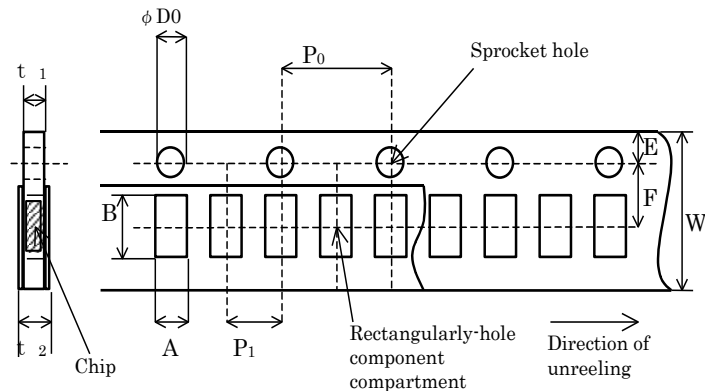
## SMD4 (0402) NTC THERMISTORS

### PRODUCT DEFINITION

Part Number	Resistance [Ω] @ +25°C	Tolerance @ +25°C	Beta Value 25/85	Tolerance on Beta Value	Dissipation Constant in still air @ +25°C	Maximum Rated Wattage @ +25°C
SMD4.04KJ280JT	40	± 5%	2800	± 5%	1.5 mW/°C	40 mW
SMD4.1KJ280JT	100	± 5%	2800	± 5%	1.5 mW/°C	40 mW
SMD41KJ325JT	1,000	± 5%	3250	± 5%	1.5 mW/°C	40 mW
SMD42KJ410JT	2,000	± 5%	4100	± 5%	1.5 mW/°C	40 mW
SMD43KJ410JT	3,000	± 5%	4100	± 5%	1.5 mW/°C	40 mW
SMD410KJ344JT	10,000	± 5%	3435	± 5%	1.5 mW/°C	40 mW
SMD410KJ375JT	10,000	± 5%	3750	± 5%	1.5 mW/°C	40 mW
SMD415KJ380JT	15,000	± 5%	3800	± 5%	1.5 mW/°C	40 mW
SMD420KJ380JT	20,000	± 5%	3800	± 5%	1.5 mW/°C	40 mW
SMD430KJ400JT	30,000	± 5%	4000	± 5%	1.5 mW/°C	40 mW
SMD447KJ400JT	47,000	± 5%	4000	± 5%	1.5 mW/°C	40 mW
SMD4100KJ415JT	100,000	± 5%	4150	± 5%	1.5 mW/°C	40 mW
SMD4150KJ425JT	150,000	± 5%	4250	± 5%	1.5 mW/°C	40 mW
SMD4200KJ425JT	200,000	± 5%	4250	± 5%	1.5 mW/°C	40 mW

### TAPE DIMENSIONS

Type of taping	Carrier tape	Top cover tape	Bottom cover tape
Taping of rectangular punched carrier system	Paper	Thermal adhesion plastics	Thermal adhesion paper

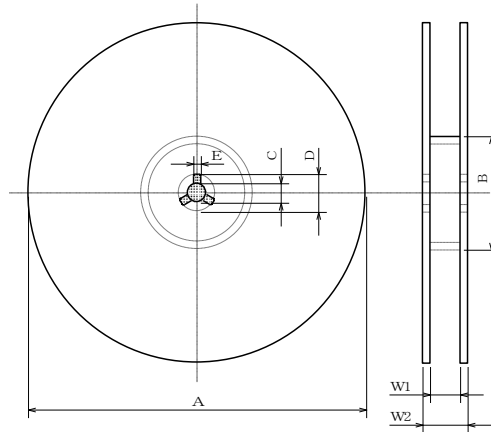


	A	B	W	F	E	Unit mm
SMD4	$0.7 \pm 0.10$	$1.20 \pm 0.10$	$8.00 \pm 0.20$	$3.50 \pm 0.05$	$1.75 \pm 0.10$	
	P1	P2	P0	D0	t1	t2
SMD4	$2.00 \pm 0.1$	$2.00 \pm 0.05$	$4.00 \pm 0.10$	$1.55 \pm 0.05$	-	1.0max.

Remark: Pitch tolerance over any 10 pitches of P0 is  $\pm 0.2\text{mm}$ .

# SMD4 (0402) NTC THERMISTORS

## REEL DIMENSION



	A	B	C	D	E	Unit mm
SMD4	180±20	>50	13±0.50	21±0.8	2±0.5	
	W1	W2				
SMD4	10.00±1.50	6.00±0.5				

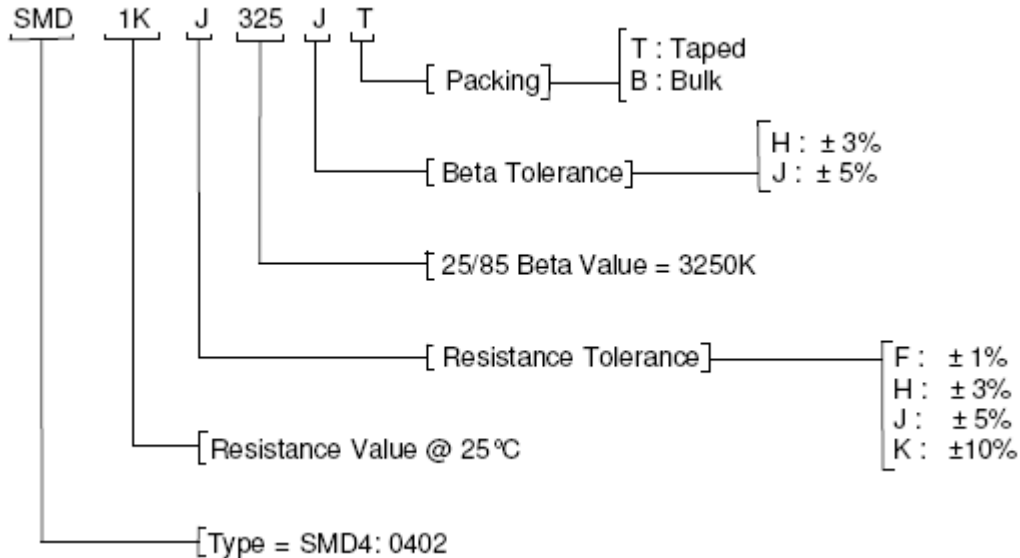
## SMD4 (0402) NTC THERMISTORS

### ORDERING INFORMATION

Example:

Part Number	Description	$\Omega$ @ +25°C	MOQ
SMD41KJ325JT	0402 SMD Series 4 Thermistor – Taped & Reeled	1,000	10000

\* For quantities less than Minimum Order Quantity – Contact Distribution



Note:

For Resistance Tolerance ±1% @ +25°C the Beta Tolerance = H (±3%)

For Resistance Tolerance ±3, 5 & 10% @ +25°C the Beta Tolerance = J (±5%)

#### NORTH AMERICA

Measurement Specialties, Inc.,  
a TE Connectivity Company  
1711 139th Lane NW  
Andover, MN 55304  
Tel: +1 763 689 4870  
Fax: +1 763 689 5033  
customercare.ando@te.com

#### EUROPE

Measurement Specialties (Europe), Ltd.,  
a TE Connectivity Company  
Ballybrit Business Park  
Galway Ireland  
Tel : +353-91-753238  
Fax : +353-91-770789  
Email: customercare.glwy@te.com

#### ASIA

Measurement Specialties (China), Ltd.,  
a TE Connectivity Company  
No. 368 Wulian 1st Road  
Gongxing Town  
Shuangliu, Chengdu  
Sichuan, 610200  
China  
Tel: +86 (0) 28 8573 9088  
Fax: +86 (0) 28 8573 9070  
Email: customercare.chdu@te.com

#### te.com/sensorsolutions

Measurement Specialties, Inc., a TE Connectivity company.

Measurement Specialties (MEAS), American Sensor Technologies (AST), TE Connectivity, TE Connectivity (logo) and EVERY CONNECTION COUNTS are trademarks. All other logos, products and/or company names referred to herein might be trademarks of their respective owners.

The information given herein, including drawings, illustrations and schematics which are intended for illustration purposes only, is believed to be reliable. However, TE Connectivity makes no warranties as to its accuracy or completeness and disclaims any liability in connection with its use. TE Connectivity's obligations shall only be as set forth in TE Connectivity's Standard Terms and Conditions of Sale for this product and in no case will TE Connectivity be liable for any incidental, indirect or consequential damages arising out of the sale, resale, use or misuse of the product. Users of TE Connectivity products should make their own evaluation to determine the suitability of each such product for the specific application.

© 2016 TE Connectivity Ltd. family of companies All Rights Reserved.