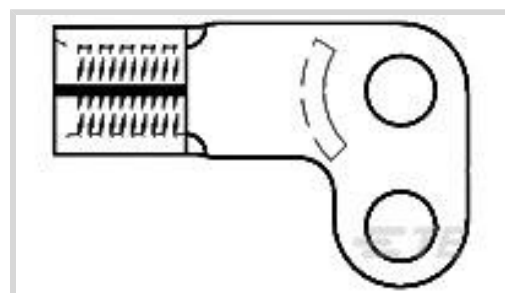


## SOLISTRAND

TE Internal #: 696035-2

Rings & Spades, Ring Tongue, 6AWG Wire Size, 13 – 15mm<sup>2</sup> Wire Size, 20800 – 33100CMA Wire Size, #10, Stud Diameter 5 mm [.197 in][View on TE.com >](#)

Terminals &amp; Splices &gt; Rings &amp; Spades

Terminal & Splice Type: **Ring Tongue**Wire Size: **20800 – 33100 CMA**Ring & Spade Stud Size: **#10**

## Features

### Product Type Features

Shape Description	RING-105
Ring & Spade Stud Size	#10
Ring & Spade Barrel Type	Closed Barrel
Sealable	No
Insulated	No
Ring & Spade Wire/Cable Type	Regular Wire
Support Style	Non - Insulation Support

### Configuration Features

Number of Holes	2
Terminal Angle	Straight

### Body Features

Inspection Slot	No
Weight per Piece	7.174 g
Ring & Spade Plating Material	Copper, Tin

### Contact Features

Terminal & Splice Type	Ring Tongue
Ring & Spade Terminal Orientation	Offset

### Mechanical Attachment

Wire Insulation Support	Without
-------------------------	---------

### Dimensions

Wire Size	20800 – 33100 CMA
Stud Diameter	5 mm [.197 in]
Tongue Thickness	1.45 mm [.057 in]
Ring & Spade Overall Length	29.85 mm [1.175 in]
Barrel Inside Diameter	5.89 mm [.232 in]

### Usage Conditions

Insulation Requirement	Uninsulated
Operating Temperature Range	170 °C [338 °F]

### Operation/Application

Heavy Duty	Yes
------------	-----

### Industry Standards

Government Qualified	No
----------------------	----

### Packaging Features

Packaging Quantity	500
Ring & Spade Packaging Method	Tape Mounted

### Product Compliance

[For compliance documentation, visit the product page on TE.com>](#)

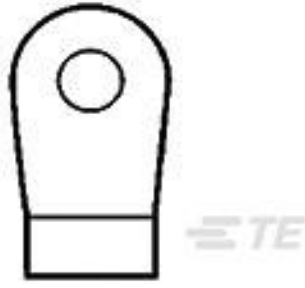
EU RoHS Directive 2011/65/EU	Compliant
EU ELV Directive 2000/53/EC	Compliant
China RoHS 2 Directive MIIT Order No 32, 2016	No Restricted Materials Above Threshold
EU REACH Regulation (EC) No. 1907/2006	Current ECHA Candidate List: JAN 2021 (211) Candidate List Declared Against: JUN 2020 (209) SVHC > Threshold: Not Yet Reviewed
Halogen Content	Low Halogen - Br, Cl, F, I < 900 ppm per homogenous material. Also BFR/CFR/PVC Free
Solder Process Capability	Not applicable for solder process capability

#### Product Compliance Disclaimer

This information is provided based on reasonable inquiry of our suppliers and represents our current actual knowledge based on the information they provided. This information is subject to change. The part numbers that TE has identified as

EU RoHS compliant have a maximum concentration of 0.1% by weight in homogenous materials for lead, hexavalent chromium, mercury, PBB, PBDE, DBP, BBP, DEHP, DIBP, and 0.01% for cadmium, or qualify for an exemption to these limits as defined in the Annexes of Directive 2011/65/EU (RoHS2). Finished electrical and electronic equipment products will be CE marked as required by Directive 2011/65/EU. Components may not be CE marked. Additionally, the part numbers that TE has identified as EU ELV compliant have a maximum concentration of 0.1% by weight in homogenous materials for lead, hexavalent chromium, and mercury, and 0.01% for cadmium, or qualify for an exemption to these limits as defined in the Annexes of Directive 2000/53/EC (ELV). Regarding the REACH Regulation, the information TE provides on SVHC in articles for this part number is based on the latest European Chemicals Agency (ECHA) 'Guidance on requirements for substances in articles' posted at this URL: <https://echa.europa.eu/guidance-documents/guidance-on-reach>

## Compatible Parts



TE Part # 36419  
SOLIS FLAG R 16-14 14

## Customers Also Bought



TE Part #1-745494-5  
IDC D-Sub: Plug Assembly, Wire to Wire, Signal, 2.77 mm



TE Part #1393117-3  
KUMP-7D58-48=KU



TE Part #1-1757824-1  
AMPLIMITE,ASY,RCPT,STD,90,ZN,5,CT




TE Part #1-2176406-8  
3560 5R1 1%



TE Part #1-66099-3  
III+ PIN,18-16,15AU/FL,SMPACK



TE Part #1-1375820-1  
CST-100 II HOUSING 11 POS



TE Part #130128  
SOLIS R 16-14 M5



TE Part #1-558693-1  
IDC D-Sub: Plug Assembly, Signal, Cable to Cable, 2.16 mm



TE Part #EG41050001  
ES-CAP-NO.2-B9-0-35MM



TE Part #1-552027-1  
STRAIN RELIEF, 50 POS, CHAMP



## Documents

### Product Drawings

[SOLIS RING 6, #10, TAPE](#)

English

### CAD Files

Customer View Model

[ENG\\_CVM\\_696035-2\\_O.3d\\_igs.zip](#)

English

Customer View Model

[ENG\\_CVM\\_696035-2\\_O.3d\\_stp.zip](#)

English

Customer View Model

[ENG\\_CVM\\_696035-2\\_O.2d\\_dxf.zip](#)

English

[3D PDF](#)

English

By downloading the CAD file I accept and agree to the [Terms and Conditions](#) of use.