

605686-1 ✓ ACTIVE

AMPOWER | AMPOWER

TE Internal #: 605686-1

AMPOWER, Rings & Spades, Rectangular Tongue, 0000AWG Wire

Size, 100 – 125mm² Wire Size, 3/8, Stud Diameter .39 in, Tongue

Thickness 3.3 mm [.13 in]

[View on TE.com >](#)



Terminals & Splices > Rings & Spades



Terminal & Splice Type: **Rectangular Tongue**

Wire Size: **100 – 125 mm²**

Ring & Spade Stud Size: **3/8**

Stud Diameter: **[.39 in]**

Features

Product Type Features

Ring & Spade Stud Size	3/8
Ring & Spade Barrel Type	Closed Barrel
Sealable	No
Insulated	No
Ring & Spade Wire/Cable Type	Copper

Configuration Features

Number of Holes	2
Terminal Angle	Straight

Body Features

Ring & Spade Plating Material	Tin
-------------------------------	-----

Contact Features

Terminal & Splice Type	Rectangular Tongue
Ring & Spade Terminal Orientation	Offset

Mechanical Attachment

Wire Insulation Support	Without
-------------------------	---------

Dimensions

Wire Size	100 – 125 mm ²
	.648 in



Tongue Thickness	3.3 mm [.13 in]
------------------	-----------------

Usage Conditions

Insulation Requirement	Uninsulated
Operating Temperature Range	-55 – 105 °C [-67 – 221 °F]

Operation/Application

Heavy Duty	Yes
------------	-----

Industry Standards

Government Qualified	No
UL Listed	Yes

Packaging Features

Packaging Quantity	20
Ring & Spade Packaging Method	Box

Product Compliance

[For compliance documentation, visit the product page on TE.com>](#)

EU RoHS Directive 2011/65/EU	Compliant
EU ELV Directive 2000/53/EC	Compliant
China RoHS 2 Directive MIIT Order No 32, 2016	No Restricted Materials Above Threshold
EU REACH Regulation (EC) No. 1907/2006	Current ECHA Candidate List: JAN 2021 (211) Candidate List Declared Against: JUL 2019 (201) SVHC > Threshold: Not Yet Reviewed
Halogen Content	Low Halogen - Br, Cl, F, I < 900 ppm per homogenous material. Also BFR/CFR/PVC Free
Solder Process Capability	Not applicable for solder process capability

Product Compliance Disclaimer

This information is provided based on reasonable inquiry of our suppliers and represents our current actual knowledge based on the information they provided. This information is subject to change. The part numbers that TE has identified as EU RoHS compliant have a maximum concentration of 0.1% by weight in homogenous materials for lead, hexavalent chromium, mercury, PBB, PBDE, DBP, BBP, DEHP, DIBP, and 0.01% for cadmium, or qualify for an exemption to these limits as defined in the Annexes of Directive 2011/65/EU (RoHS2). Finished electrical and electronic equipment products will be CE marked as required by Directive 2011/65/EU. Components may not be CE marked. Additionally, the part numbers that TE has identified as EU ELV compliant have a maximum concentration of 0.1% by weight in homogenous materials for lead, hexavalent chromium, and mercury, and 0.01% for cadmium, or qualify for an exemption to these limits as defined in the Annexes of Directive 2000/53/EC (ELV). Regarding the REACH Regulation, the information TE provides on SVHC in articles for this part number is based on the latest European Chemicals Agency (ECHA) 'Guidance on

requirements for substances in articles' posted at this URL: <https://echa.europa.eu/guidance-documents/guidance-on-reach>

Also in the Series | AMPOWER



Bus Bar Connectors(13)

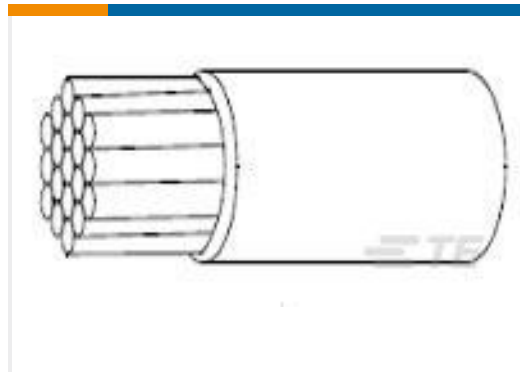


Rings & Spades(141)

Customers Also Bought



TE Part #326803
AMPOWER TERMINAL 2 STUD HOLES



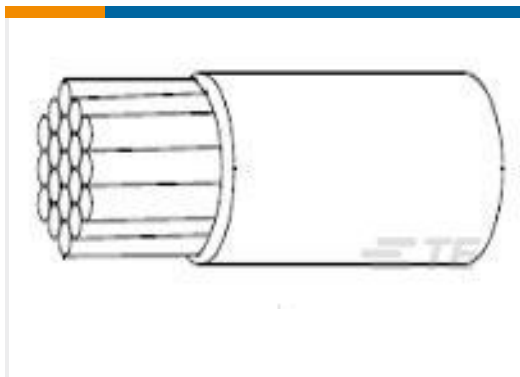
TE Part #216084-000
55A0111-26-93



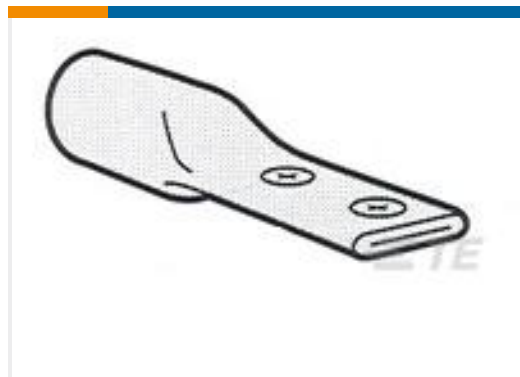
TE Part #CS2469-000
T3-9FR-01



TE Part #BM1269-000
CRSM-34/10-150-CONED



TE Part #216379-000
55A0111-26-92



TE Part #605685-1
TERM MODF AMPER 4/0 LONG BAR 2



TE Part #396931-000
55A0111-26-901



TE Part #8375493001
55A4121-22-2/6-9



TE Part #7588593001
55A4121-24-2/6-9



TE Part #YDTS24Z11-35PEV001
RECP ASSY

Documents

Product Drawings

AMPOWER H.D. 4/0,MID SIZE BBL

English

