

34971 ✓ ACTIVE

SOLISTRAND | SOLISTRAND Budget

TE Internal #: 34971

SOLISTRAND Budget, Rings & Spades, Ring Tongue, 20 – 16AWG

Wire Size, .5 – 1.4mm² Wire Size, 810 – 3260CMA Wire Size, #14

[View on TE.com >](#)



Terminals & Splices > Rings & Spades



Terminal & Splice Type: **Ring Tongue**

Wire Size: **810 – 3260 CMA**

Ring & Spade Stud Size: **#14**

Features

Product Type Features

Shape Description	RING-048
Ring & Spade Stud Size	#14
Ring & Spade Barrel Type	Closed Barrel
Sealable	No
Insulated	No
Ring & Spade Wire/Cable Type	Regular Wire
Support Style	Non - Insulation Support

Configuration Features

Number of Holes	1
Terminal Angle	Straight

Body Features

Inspection Slot	No
Ring & Spade Plating Material	Copper, Tin

Contact Features

Terminal & Splice Type	Ring Tongue
Ring & Spade Terminal Orientation	Straight

Mechanical Attachment

Wire Insulation Support	Without
-------------------------	---------

Dimensions

Wire Size	810 – 3260 CMA
-----------	----------------



Stud Diameter	6.35 mm[.25 in]
Tongue Thickness	.98 mm[.04 in]
Ring & Spade Overall Length	18.59 mm[.73 in]
Barrel Inside Diameter	1.88 mm[.074 in]

Usage Conditions

Insulation Requirement	Uninsulated
Operating Temperature Range	170 °C[338 °F]

Operation/Application

Heavy Duty	No
------------	----

Industry Standards

Government Qualified	No
----------------------	----

Packaging Features

Packaging Quantity	1
Ring & Spade Packaging Method	Loose Piece

Product Compliance

[For compliance documentation, visit the product page on TE.com>](#)

EU RoHS Directive 2011/65/EU	Compliant
EU ELV Directive 2000/53/EC	Compliant
China RoHS 2 Directive MIIT Order No 32, 2016	No Restricted Materials Above Threshold
EU REACH Regulation (EC) No. 1907/2006	Current ECHA Candidate List: JAN 2021 (211) Candidate List Declared Against: JUN 2020 (209) SVHC > Threshold: Not Yet Reviewed
Halogen Content	Low Halogen - Br, Cl, F, I < 900 ppm per homogenous material. Also BFR/CFR/PVC Free
Solder Process Capability	Not reviewed for solder process capability

Product Compliance Disclaimer

This information is provided based on reasonable inquiry of our suppliers and represents our current actual knowledge based on the information they provided. This information is subject to change. The part numbers that TE has identified as EU RoHS compliant have a maximum concentration of 0.1% by weight in homogenous materials for lead, hexavalent chromium, mercury, PBB, PBDE, DBP, BBP, DEHP, DIBP, and 0.01% for cadmium, or qualify for an exemption to these limits as defined in the Annexes of Directive 2011/65/EU (RoHS2). Finished electrical and electronic equipment products will be CE marked as required by Directive 2011/65/EU. Components may not be CE marked. Additionally, the part numbers that TE has identified as EU ELV compliant have a maximum concentration of 0.1% by weight in homogenous




materials for lead, hexavalent chromium, and mercury, and 0.01% for cadmium, or qualify for an exemption to these limits as defined in the Annexes of Directive 2000/53/EC (ELV). Regarding the REACH Regulation, the information TE provides on SVHC in articles for this part number is based on the latest European Chemicals Agency (ECHA) 'Guidance on requirements for substances in articles' posted at this URL: <https://echa.europa.eu/guidance-documents/guidance-on-reach>

Compatible Parts




TE Part # 34970
BUDGET RING 20-16 HD 10

Also in the Series | SOLISTRAND Budget



Knife Disconnects(4)




Rings & Spades(181)



Splices(1)

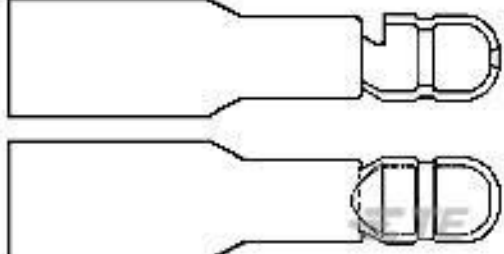
Customers Also Bought



TE Part #556207-000
342A124-100/86-0




TE Part #940590-000
ST63-3-55-22-9



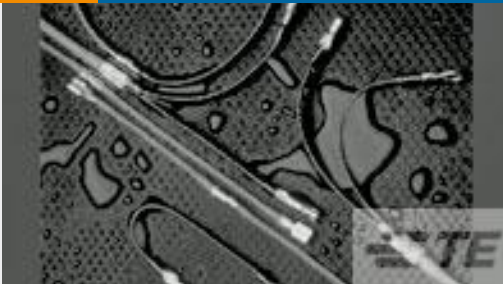
TE Part #CC2643-000
B-106-7502CS100



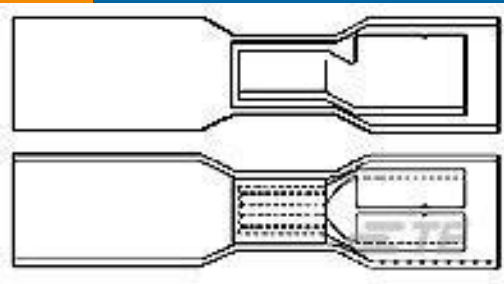
TE Part #YHV800-2P-90-50M-A
HVP800-2PHI XE,90,50SQMM,KEY A



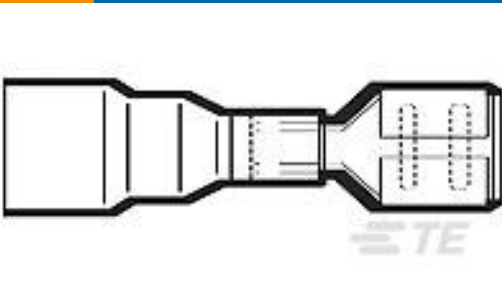
TE Part #CC2621-000
B-106-1501CS100



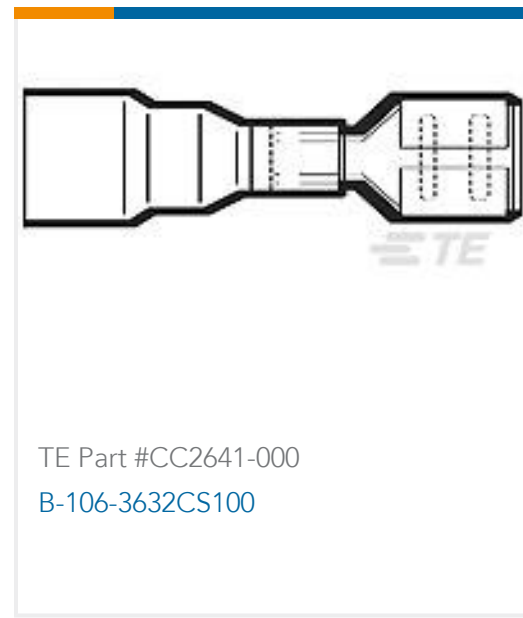
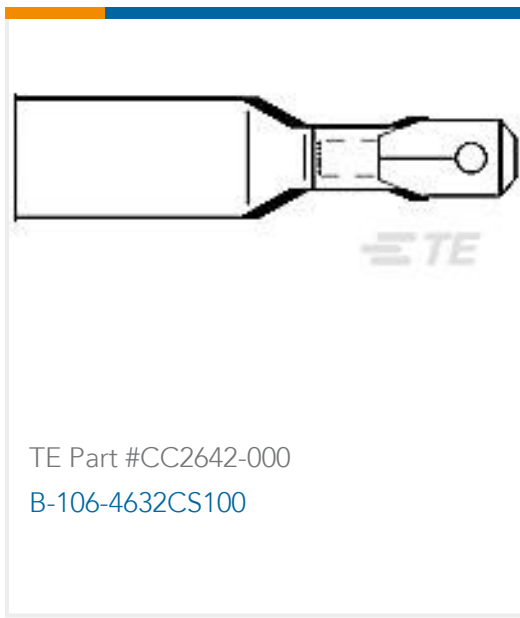
TE Part #CC2637-000
B-106-1802CS100



TE Part #CC2632-000
B-106-8401CS100



TE Part #CC2628-000
B-106-3631CS100



Documents

Product Drawings

[BUDGET RING 20-16 HD 14](#)

English