

329860-1 ✓ ACTIVE



TERMI-FOIL

TE Internal #: 329860-1

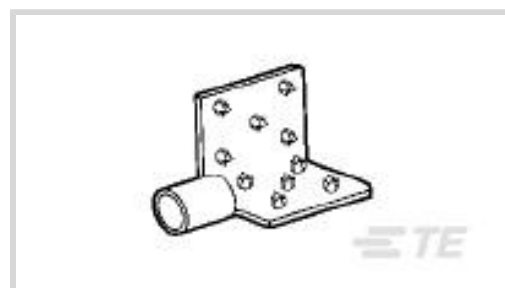
Foil Terminals, Barrel, Type 1, Foil Thickness (Max) .03 in [.76 mm],

Tin, Barrel Wire Size 16 – 14 AWG, Barrel Wire Size 1.25 – 2 mm²,

Package

[View on TE.com >](#)

Terminals & Splices > Foil Terminals



Foil Terminal Terminal Type: **Barrel**

Body Type: **Type 1**

Foil Thickness (Max): **.76 mm [.03 in]**

Foil Terminal Plating Material: **Tin**

Barrel Wire Size: **16 – 14 AWG**

Features

Product Type Features

Insulated	No
-----------	----

Body Features

Face	Double
Body Type	Type 1
Foil Terminal Plating Material	Tin

Contact Features

Foil Terminal Terminal Type	Barrel
-----------------------------	--------

Termination Features

Foil Thickness (Max)	.76 mm [.03 in]
----------------------	-----------------

Dimensions

Barrel Wire Size	1.25 – 2 mm ²
Wire Size	1.25 – 2 mm ²

Usage Conditions

Insulation Requirement	Uninsulated
Operating Temperature Range	150 °C [302 °F]

Packaging Features

Packaging Quantity	1
--------------------	---



Foil Terminal Packaging Method

Package

Other

Comment	For heavy duty, use tool 68064.
---------	---------------------------------

Product Compliance

[For compliance documentation, visit the product page on TE.com>](#)

EU RoHS Directive 2011/65/EU	Compliant
EU ELV Directive 2000/53/EC	Compliant
China RoHS 2 Directive MIIT Order No 32, 2016	No Restricted Materials Above Threshold
EU REACH Regulation (EC) No. 1907/2006	Current ECHA Candidate List: JAN 2021 (211) Candidate List Declared Against: JUN 2020 (209) SVHC > Threshold: Not Yet Reviewed
Halogen Content	Low Halogen - Br, Cl, F, I < 900 ppm per homogenous material. Also BFR/CFR/PVC Free
Solder Process Capability	Not applicable for solder process capability

Product Compliance Disclaimer

This information is provided based on reasonable inquiry of our suppliers and represents our current actual knowledge based on the information they provided. This information is subject to change. The part numbers that TE has identified as EU RoHS compliant have a maximum concentration of 0.1% by weight in homogenous materials for lead, hexavalent chromium, mercury, PBB, PBDE, DBP, BBP, DEHP, DIBP, and 0.01% for cadmium, or qualify for an exemption to these limits as defined in the Annexes of Directive 2011/65/EU (RoHS2). Finished electrical and electronic equipment products will be CE marked as required by Directive 2011/65/EU. Components may not be CE marked. Additionally, the part numbers that TE has identified as EU ELV compliant have a maximum concentration of 0.1% by weight in homogenous materials for lead, hexavalent chromium, and mercury, and 0.01% for cadmium, or qualify for an exemption to these limits as defined in the Annexes of Directive 2000/53/EC (ELV). Regarding the REACH Regulation, the information TE provides on SVHC in articles for this part number is based on the latest European Chemicals Agency (ECHA) 'Guidance on requirements for substances in articles' posted at this URL: <https://echa.europa.eu/guidance-documents/guidance-on-reach>

Compatible Parts



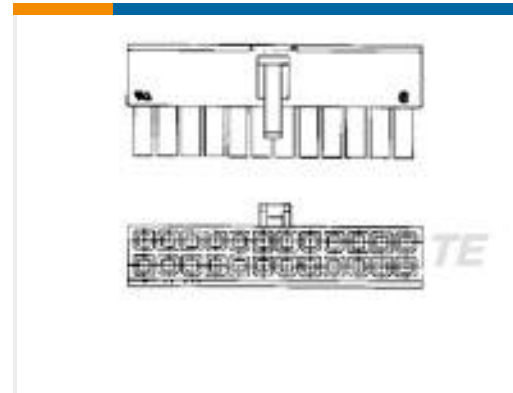
Customers Also Bought



TE Part #T4133412051-000
M12 Panel Mount Solder Cups



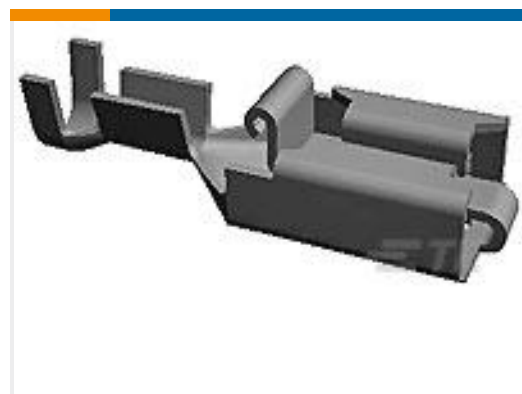
TE Part #2-320552-1
PIDG RING TONGUE TERMINALS



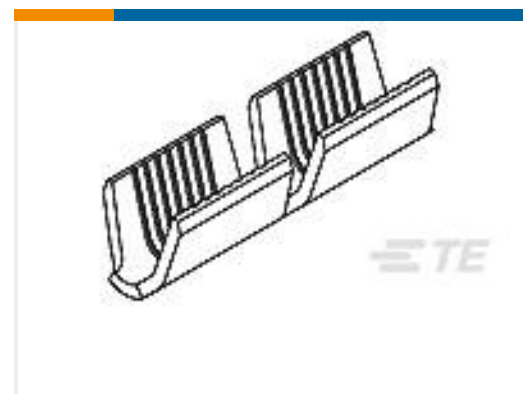
TE Part #1586765-4
4P RCPT VAL-U-LOK GW



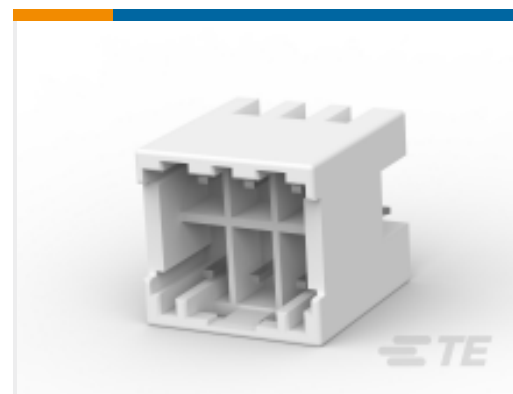
TE Part #1744417-8
8 POS EP 2.5 HSG, GLOW WIRE



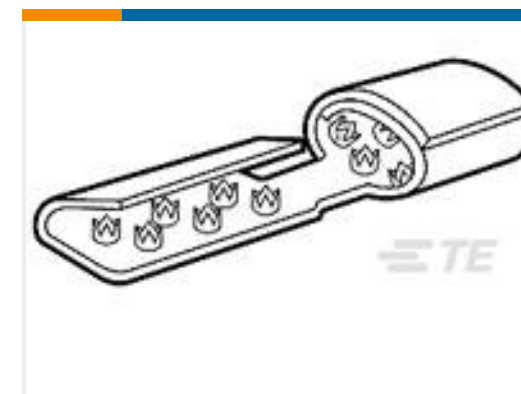
TE Part #160759-1
PL 250 TERMINAL REC 0.5-1.5 MM2 BR



TE Part #1217384-1
AMVAR SPL 600-3000 7 SERR TPBR



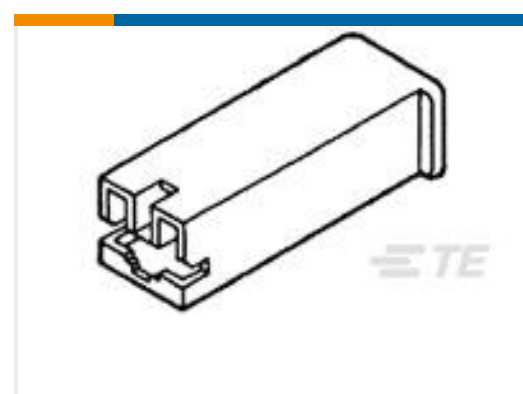
TE Part #1747049-1
Glow Wire GRACE INERTIA Header



TE Part #1-332006-0
SPLICE,TERMI-FOIL BOND CLIP



TE Part #1-316130-3
DYNAMIC D-3200 HDR ASSY 5P H



TE Part #2-172076-6
PL 250 REC HSG 1P NYLON BLUE

Documents

Product Drawings

[TERMI-FOIL 16-14 DOUBLE FACE](#)

English

CAD Files

Customer View Model

[ENG_CVM_329860-1_D.3d_igs.zip](#)

English

Customer View Model

[ENG_CVM_329860-1_D.3d_stp.zip](#)

English

Customer View Model

[ENG_CVM_329860-1_D.2d_dxf.zip](#)

English

[3D PDF](#)

English

By downloading the CAD file I accept and agree to the [Terms and Conditions](#) of use.

329860-1

Foil Terminals, Barrel, Type 1, Foil Thickness (Max) .03 in [.76 mm], Tin, Barrel Wire
Size 16 – 14 AWG, Barrel Wire Size 1.25 – 2 mm², Package

