

329531 ✓ ACTIVE

TE Internal #: 329531

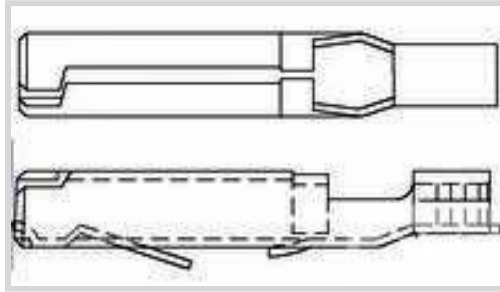
Rings & Spades, Lancelok, 24 – 22AWG Wire Size, .205 – .326mm²

Wire Size, 404 – 643CMA Wire Size, Tongue Thickness .79 mm [.031 in], Closed Barrel

[View on TE.com >](#)



Terminals & Splices > Rings & Spades



Terminal & Splice Type: **Lancelok**

Wire Size: **404 – 643 CMA**

Tongue Thickness: **.79 mm [.031 in]**

Features

Product Type Features

Ring & Spade Barrel Type	Closed Barrel
Sealable	No
Insulated	No
Ring & Spade Wire/Cable Type	Regular Wire
Support Style	Non - Insulation Support

Configuration Features

Terminal Angle	Straight
----------------	----------

Body Features

Ring & Spade Plating Material	Brass, Gold
-------------------------------	-------------

Contact Features

Terminal & Splice Type	Lancelok
Ring & Spade Terminal Orientation	Straight
Underplating Material	Nickel

Mechanical Attachment

Wire Insulation Support	Without
-------------------------	---------

Dimensions

Wire Size	404 – 643 CMA
Tongue Thickness	.79 mm [.031 in]
Ring & Spade Overall Length	17.15 mm [.675 in]
Barrel Inside Diameter	1.22 mm [.048 in]

Usage Conditions

Insulation Requirement	Uninsulated
Operating Temperature Range	170 °C[338 °F]

Operation/Application

Heavy Duty	No
------------	----

Industry Standards

Government Qualified	No
----------------------	----

Packaging Features

Packaging Quantity	1
Ring & Spade Packaging Method	Package

Product Compliance


[For compliance documentation, visit the product page on TE.com>](#)

EU RoHS Directive 2011/65/EU	Compliant
EU ELV Directive 2000/53/EC	Compliant
China RoHS 2 Directive MIIT Order No 32, 2016	No Restricted Materials Above Threshold
EU REACH Regulation (EC) No. 1907/2006	Current ECHA Candidate List: JAN 2021 (211) Candidate List Declared Against: JUL 2017 (174) SVHC > Threshold: Not Yet Reviewed
Halogen Content	Not Yet Reviewed for halogen content
Solder Process Capability	Not reviewed for solder process capability

Product Compliance Disclaimer

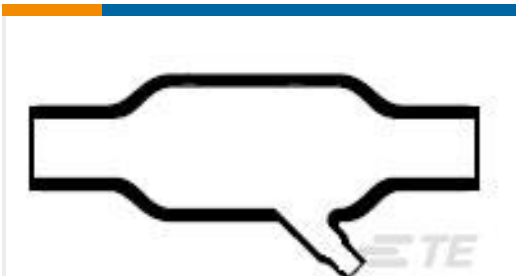
This information is provided based on reasonable inquiry of our suppliers and represents our current actual knowledge based on the information they provided. This information is subject to change. The part numbers that TE has identified as EU RoHS compliant have a maximum concentration of 0.1% by weight in homogenous materials for lead, hexavalent chromium, mercury, PBB, PBDE, DBP, BBP, DEHP, DIBP, and 0.01% for cadmium, or qualify for an exemption to these limits as defined in the Annexes of Directive 2011/65/EU (RoHS2). Finished electrical and electronic equipment products will be CE marked as required by Directive 2011/65/EU. Components may not be CE marked. Additionally, the part numbers that TE has identified as EU ELV compliant have a maximum concentration of 0.1% by weight in homogenous materials for lead, hexavalent chromium, and mercury, and 0.01% for cadmium, or qualify for an exemption to these limits as defined in the Annexes of Directive 2000/53/EC (ELV). Regarding the REACH Regulations, TE's information on SVHC in articles for this part number is still based on the European Chemical Agency (ECHA) 'Guidance on requirements for substances in articles' (Version: 2, April 2011), applying the 0.1% weight on weight concentration threshold at the finished product level. TE is aware of the European Court of Justice ruling of September 10th, 2015 also known as O5A (Once An Article Always An Article) stating that, in case of 'complex object', the threshold for a SVHC must be applied to both the product as a whole and simultaneously to each of the articles forming part of its composition. TE has evaluated this ruling based on the new ECHA "Guidance on requirements for substances in articles" (June 2017, version 4.0) and will be updating its statements accordingly.

Compatible Parts



TE Part # 327955
BUDG RECT 22-16COMM 22-18MIL 6

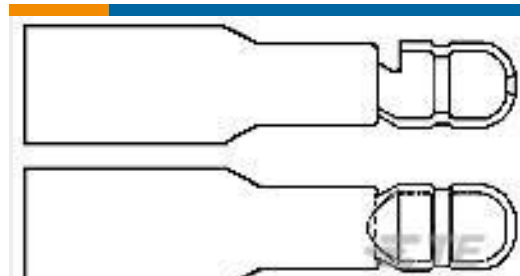
Customers Also Bought




TE Part #556207-000
342A124-100/86-0




TE Part #940590-000
ST63-3-55-22-9




TE Part #CC2643-000
B-106-7502CS100



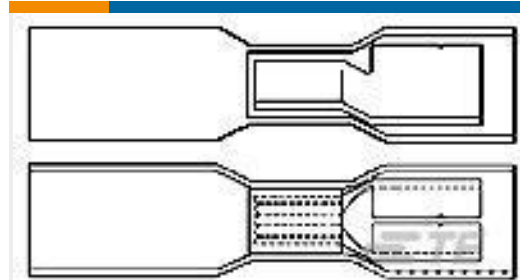
TE Part #YHV800-2P-90-50M-A
HVP800-2PHI XE,90,50SQMM,KEY A



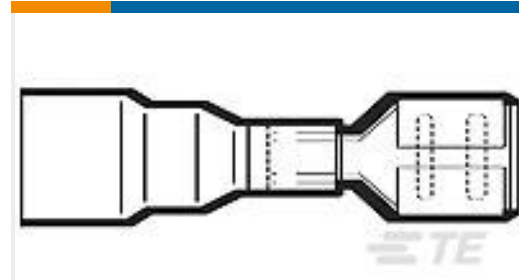
TE Part #CC2621-000
B-106-1501CS100



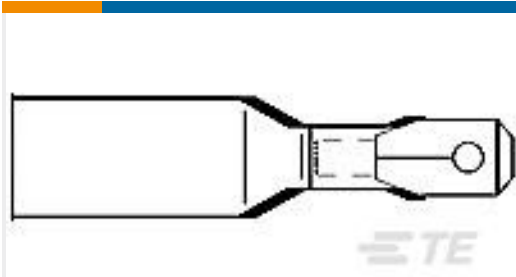
TE Part #CC2637-000
B-106-1802CS100



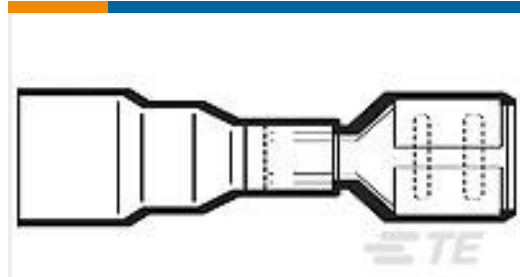
TE Part #CC2632-000
B-106-8401CS100



TE Part #CC2628-000
B-106-3631CS100



TE Part #CC2642-000
B-106-4632CS100



TE Part #CC2641-000
B-106-3632CS100

Documents

Product Drawings

[BUDGET BODY LANCELOK 24-22](#)

English