

2-328590-1 ✓ ACTIVE

SOLISTRAND

TE Internal #: 2-328590-1

Rings & Spades, Ring Tongue, 18 – 16AWG Wire Size, .8 – 1.4mm<sup>2</sup> Wire Size, 1600 – 2800CMA Wire Size, #8 / M4, Stud Diameter 4.34 mm [.171 in]

[View on TE.com >](#)



Terminals & Splices > Rings & Spades



Terminal & Splice Type: **Ring Tongue**

Wire Size: **1600 – 2800 CMA**

Ring & Spade Stud Size: **#8, M4**

### Features

#### Product Type Features

Shape Description	RING-050
Ring & Spade Stud Size	#8, M4
Ring & Spade Barrel Type	Closed Barrel
Sealable	No
Insulated	No
Ring & Spade Wire/Cable Type	Regular Wire
Support Style	Non - Insulation Support

#### Configuration Features

Number of Holes	1
Terminal Angle	Straight

#### Body Features

Inspection Slot	No
Weight per Piece	.586 g
Ring & Spade Plating Material	Copper, Gold

#### Contact Features

Terminal & Splice Type	Ring Tongue
Ring & Spade Terminal Orientation	Straight

#### Mechanical Attachment

Wire Insulation Support	Without
-------------------------	---------



### Dimensions

Wire Size	1600 – 2800 CMA
Stud Diameter	4.34 mm[.171 in]
Tongue Thickness	.79 mm[.031 in]
Ring & Spade Overall Length	15.88 mm[.625 in]
Barrel Inside Diameter	1.55 mm[.061 in]

### Usage Conditions

Insulation Requirement	Uninsulated
Operating Temperature Range	170 °C[338 °F]

### Operation/Application

Heavy Duty	No
------------	----

### Industry Standards

Government Qualified	No
----------------------	----

### Packaging Features

Packaging Quantity	1
Ring & Spade Packaging Method	Loose Piece

### Product Compliance

[For compliance documentation, visit the product page on TE.com>](#)

EU RoHS Directive 2011/65/EU	Compliant
EU ELV Directive 2000/53/EC	Compliant
China RoHS 2 Directive MIIT Order No 32, 2016	No Restricted Materials Above Threshold
EU REACH Regulation (EC) No. 1907/2006	Current ECHA Candidate List: JAN 2021 (211) Candidate List Declared Against: JUN 2020 (209) SVHC > Threshold: Not Yet Reviewed
Halogen Content	Low Halogen - Br, Cl, F, I < 900 ppm per homogenous material. Also BFR/CFR/PVC Free
Solder Process Capability	Not reviewed for solder process capability

#### Product Compliance Disclaimer

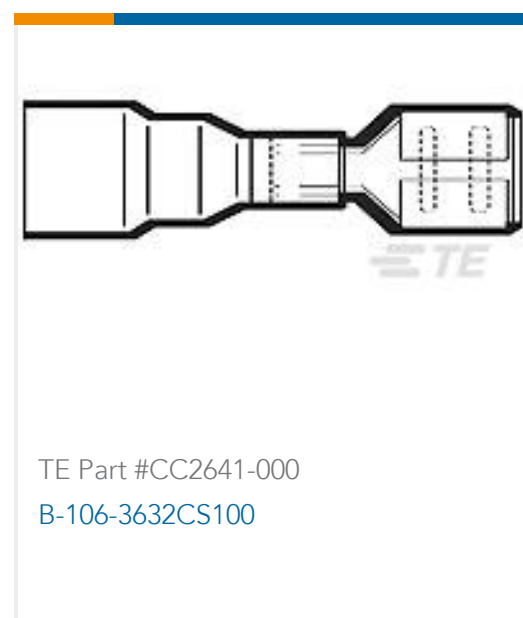
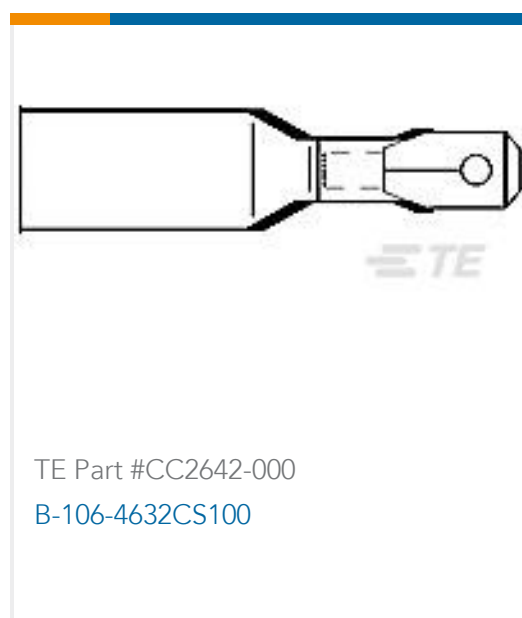
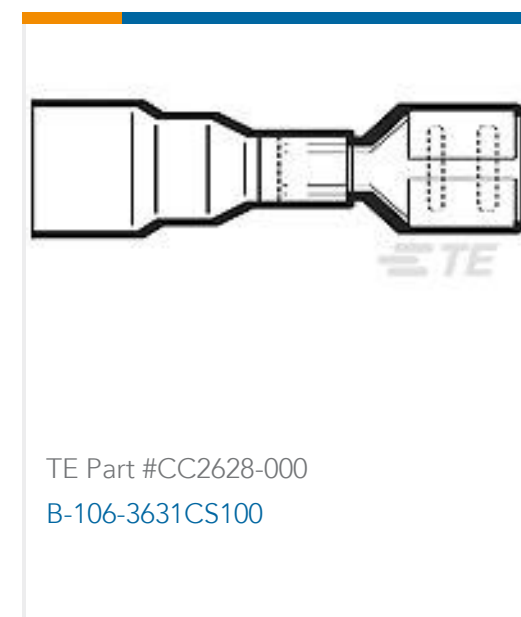
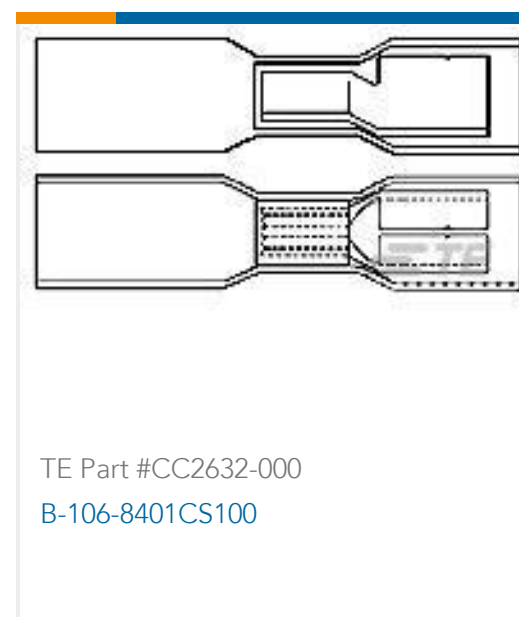
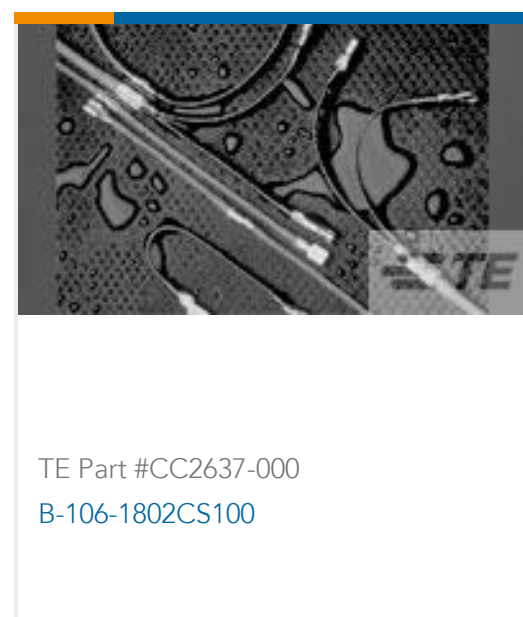
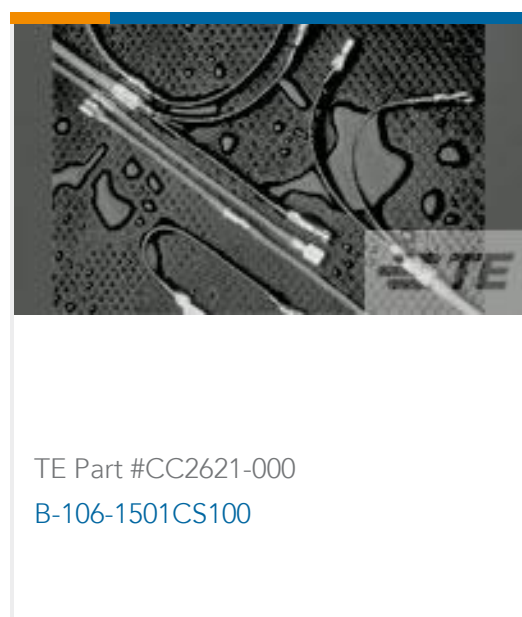
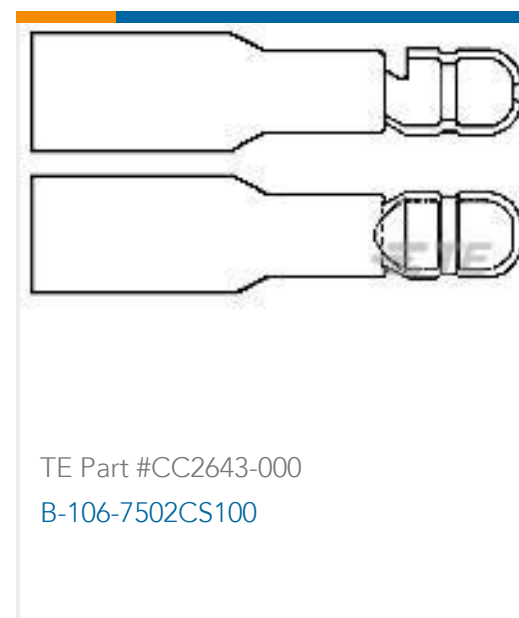
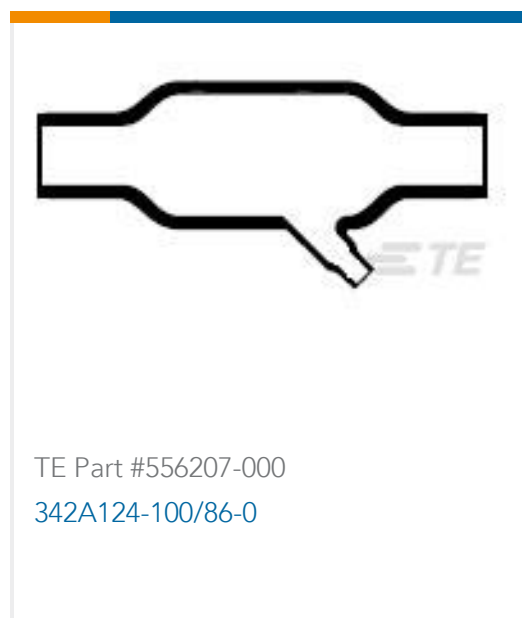
This information is provided based on reasonable inquiry of our suppliers and represents our current actual knowledge based on the information they provided. This information is subject to change. The part numbers that TE has identified as

EU RoHS compliant have a maximum concentration of 0.1% by weight in homogenous materials for lead, hexavalent chromium, mercury, PBB, PBDE, DBP, BBP, DEHP, DIBP, and 0.01% for cadmium, or qualify for an exemption to these limits as defined in the Annexes of Directive 2011/65/EU (RoHS2). Finished electrical and electronic equipment products will be CE marked as required by Directive 2011/65/EU. Components may not be CE marked. Additionally, the part numbers that TE has identified as EU ELV compliant have a maximum concentration of 0.1% by weight in homogenous materials for lead, hexavalent chromium, and mercury, and 0.01% for cadmium, or qualify for an exemption to these limits as defined in the Annexes of Directive 2000/53/EC (ELV). Regarding the REACH Regulation, the information TE provides on SVHC in articles for this part number is based on the latest European Chemicals Agency (ECHA) 'Guidance on requirements for substances in articles' posted at this URL: <https://echa.europa.eu/guidance-documents/guidance-on-reach>

## Compatible Parts



## Customers Also Bought





## Documents

### Product Drawings

#### BODY BRAZED RING 18-16 8

English