

1337808-1 ✓ ACTIVE



TE Internal #: 1337808-1

RF Cable Assemblies, SMA Plug, PVC, Cable Assembly Length 3.28 ft [1 m], Black, Operating Temperature Range -65 – 165 °C [85 – 329 °F], SMA Plug

[View on TE.com >](#)

Cable Assemblies > RF Cable Assemblies



RF Cable Assembly Connector Type (End A): **SMA Plug**

Jacket Material: **PVC**

Cable Assembly Length: **1 m [3.28 ft]**

RF Cable Assembly Color: **Black**

Operating Temperature Range: **-65 – 165 °C [85 – 329 °F]**

Features

Product Type Features

Coaxial Cable Type	316
Product Type	Cable Assembly
RF Cable Assembly Connector Type (End A)	SMA Plug
RF Cable Assembly Connector Type (End B)	SMA Plug
RF Cable Assembly Type	RF Coax Cable Assembly

Configuration Features

Number of Connectorized Ends	2
------------------------------	---

Electrical Characteristics

Connector Impedance	50 Ω
Impedance	50 Ω

Body Features

Body Plating	Stainless Steel
Jacket Material	PVC
RF Cable Assembly Color	Black

Contact Features

Center Contact Plating	Gold
------------------------	------

Usage Conditions

Operating Temperature Range	-65 – 165 °C[85 – 329 °F]
-----------------------------	---------------------------



Other

Cable Assembly Length	1 m[3.28 ft]
-----------------------	--------------

Product Compliance

[For compliance documentation, visit the product page on TE.com>](#)

EU RoHS Directive 2011/65/EU	Compliant with Exemptions
EU ELV Directive 2000/53/EC	Compliant with Exemptions
China RoHS 2 Directive MIIT Order No 32, 2016	Restricted Materials Above Threshold
EU REACH Regulation (EC) No. 1907/2006	Current ECHA Candidate List: JAN 2021 (211) Candidate List Declared Against: JAN 2021 (211) SVHC > Threshold: Pb (.34% in Component) Article Safe Usage Statements: Do not eat, drink or smoke when using this product. Wash thoroughly after handling. Recycle if possible and dispose of the article by following all applicable governmental regulations relevant to your geographic location.
Halogen Content	Not Low Halogen - contains Br or Cl > 900 ppm.
Solder Process Capability	Not applicable for solder process capability

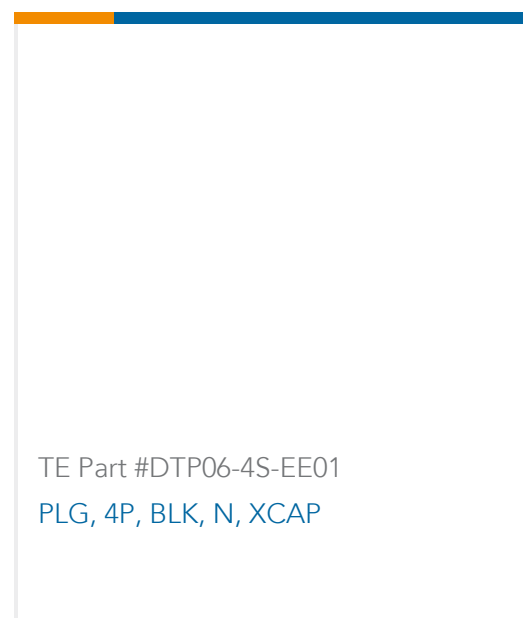
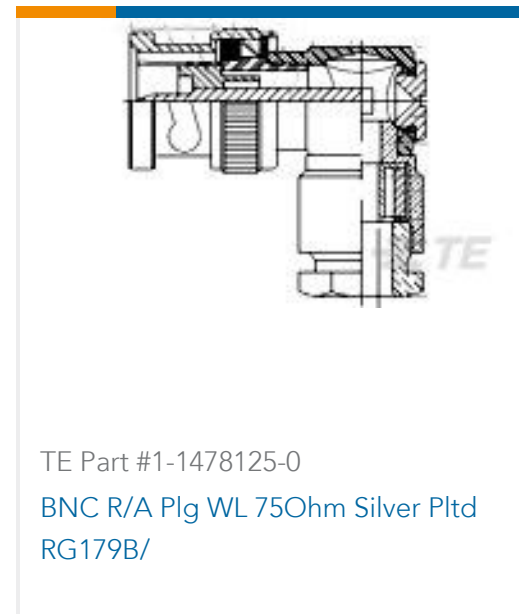
Product Compliance Disclaimer

This information is provided based on reasonable inquiry of our suppliers and represents our current actual knowledge based on the information they provided. This information is subject to change. The part numbers that TE has identified as EU RoHS compliant have a maximum concentration of 0.1% by weight in homogenous materials for lead, hexavalent chromium, mercury, PBB, PBDE, DBP, BBP, DEHP, DIBP, and 0.01% for cadmium, or qualify for an exemption to these limits as defined in the Annexes of Directive 2011/65/EU (RoHS2). Finished electrical and electronic equipment products will be CE marked as required by Directive 2011/65/EU. Components may not be CE marked. Additionally, the part numbers that TE has identified as EU ELV compliant have a maximum concentration of 0.1% by weight in homogenous materials for lead, hexavalent chromium, and mercury, and 0.01% for cadmium, or qualify for an exemption to these limits as defined in the Annexes of Directive 2000/53/EC (ELV). Regarding the REACH Regulation, the information TE provides on SVHC in articles for this part number is based on the latest European Chemicals Agency (ECHA) 'Guidance on requirements for substances in articles' posted at this URL: <https://echa.europa.eu/guidance-documents/guidance-on-reach>

Compatible Parts



Customers Also Bought



Documents

Product Drawings

50 OHM COAX SMA STR PLUG STR P

English