

130515 ✓ ACTIVE

SOLISTRAND | SOLISTRAND Budget

TE Internal #: 130515

SOLISTRAND Budget, Rings & Spades, Spade Tongue, 22 – 16AWG Wire Size, .326 – 1.31mm<sup>2</sup> Wire Size, 509 – 3260CMA Wire Size, #8 / M4

[View on TE.com >](#)



Terminals & Splices > Rings & Spades



Terminal & Splice Type: **Spade Tongue**

Wire Size: **509 – 3260 CMA**

Ring & Spade Stud Size: **#8, M4**

## Features

### Product Type Features

Shape Description	SPADE-023
Ring & Spade Stud Size	#8, M4
Ring & Spade Barrel Type	Closed Barrel
Sealable	No
Insulated	No
Ring & Spade Wire/Cable Type	Regular Wire
Support Style	Non - Insulation Support

### Configuration Features

Terminal Angle	Straight
----------------	----------

### Body Features

Inspection Slot	No
Ring & Spade Plating Material	Tin

### Contact Features

Terminal & Splice Type	Spade Tongue
Ring & Spade Terminal Orientation	Straight

### Mechanical Attachment

Wire Insulation Support	Without
-------------------------	---------

### Dimensions

Wire Size	509 – 3260 CMA
-----------	----------------



Stud Diameter	3.02 mm[.164 in]
---------------	------------------

Tongue Thickness	.79 mm[.031 in]
------------------	-----------------

Ring & Spade Overall Length	15.1 mm[.594 in]
-----------------------------	------------------

Barrel Inside Diameter	1.65 mm[.065 in]
------------------------	------------------

### Usage Conditions

Insulation Requirement	Uninsulated
------------------------	-------------

Operating Temperature Range	170 °C[338 °F]
-----------------------------	----------------

### Operation/Application

Heavy Duty	No
------------	----

### Industry Standards

Government Qualified	No
----------------------	----

### Packaging Features

Packaging Quantity	10000
--------------------	-------

Ring & Spade Packaging Method	Package
-------------------------------	---------

### Product Compliance

[For compliance documentation, visit the product page on TE.com>](#)

EU RoHS Directive 2011/65/EU	Compliant
------------------------------	-----------

EU ELV Directive 2000/53/EC	Compliant
-----------------------------	-----------

China RoHS 2 Directive MIIT Order No 32, 2016	No Restricted Materials Above Threshold
---	---

EU REACH Regulation (EC) No. 1907/2006	Current ECHA Candidate List: JAN 2021 (211) Candidate List Declared Against: JUN 2020 (209) SVHC > Threshold: Not Yet Reviewed
--	---

Halogen Content	Low Halogen - Br, Cl, F, I < 900 ppm per homogenous material. Also BFR/CFR/PVC Free
-----------------	---

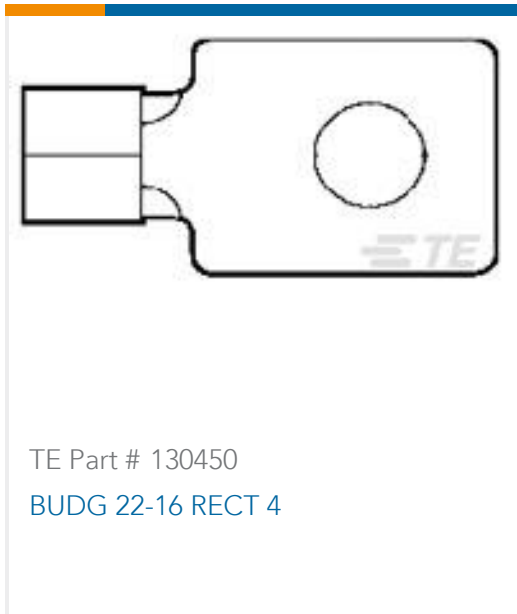
Solder Process Capability	Not applicable for solder process capability
---------------------------	--

#### Product Compliance Disclaimer

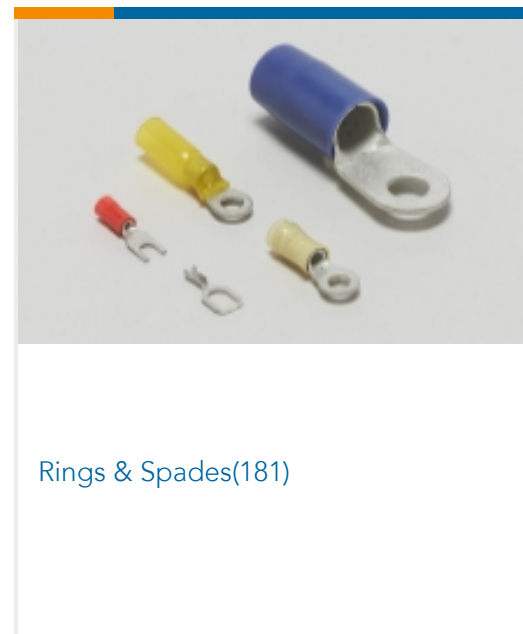
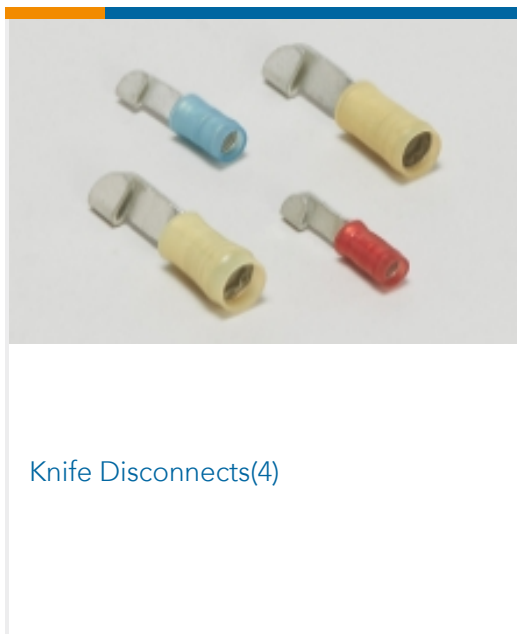
This information is provided based on reasonable inquiry of our suppliers and represents our current actual knowledge based on the information they provided. This information is subject to change. The part numbers that TE has identified as EU RoHS compliant have a maximum concentration of 0.1% by weight in homogenous materials for lead, hexavalent chromium, mercury, PBB, PBDE, DBP, BBP, DEHP, DIBP, and 0.01% for cadmium, or qualify for an exemption to these limits as defined in the Annexes of Directive 2011/65/EU (RoHS2). Finished electrical and electronic equipment products will be CE marked as required by Directive 2011/65/EU. Components may not be CE marked. Additionally, the part numbers that TE has identified as EU ELV compliant have a maximum concentration of 0.1% by weight in homogenous

materials for lead, hexavalent chromium, and mercury, and 0.01% for cadmium, or qualify for an exemption to these limits as defined in the Annexes of Directive 2000/53/EC (ELV). Regarding the REACH Regulation, the information TE provides on SVHC in articles for this part number is based on the latest European Chemicals Agency (ECHA) 'Guidance on requirements for substances in articles' posted at this URL: <https://echa.europa.eu/guidance-documents/guidance-on-reach>

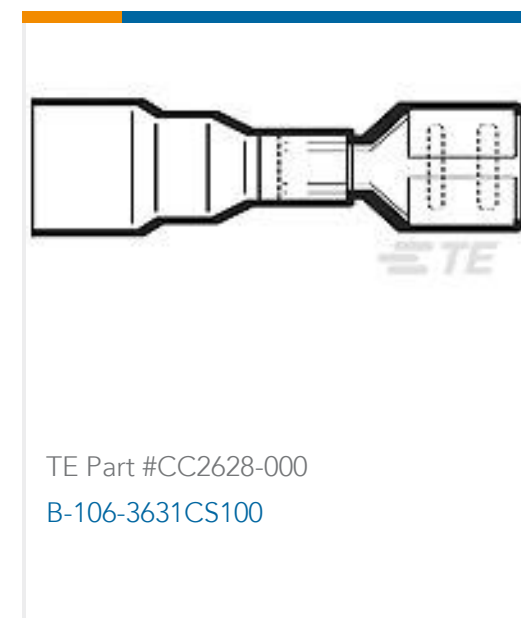
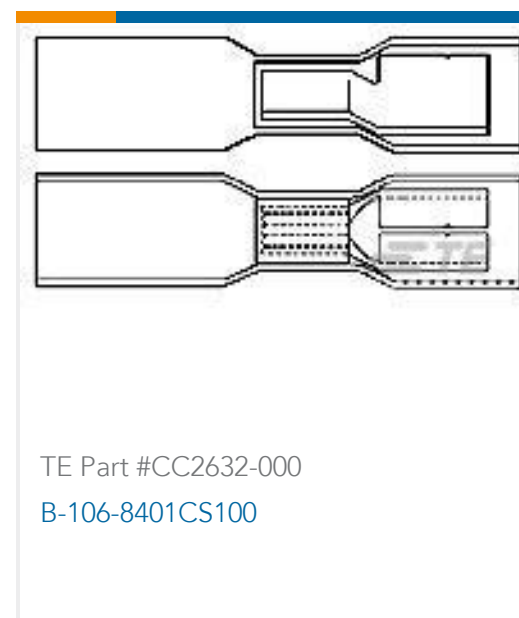
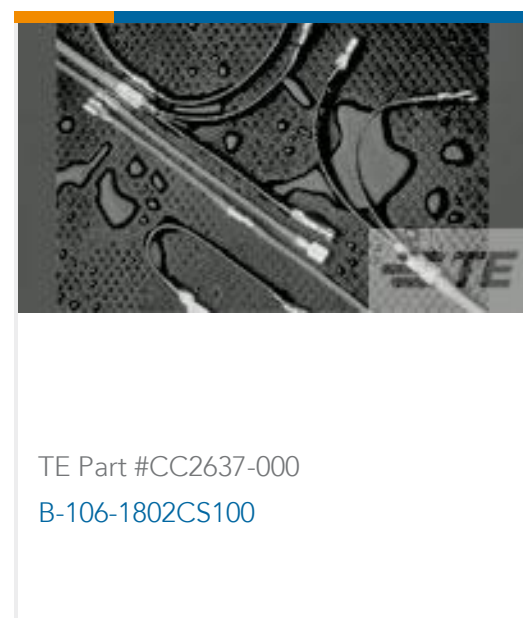
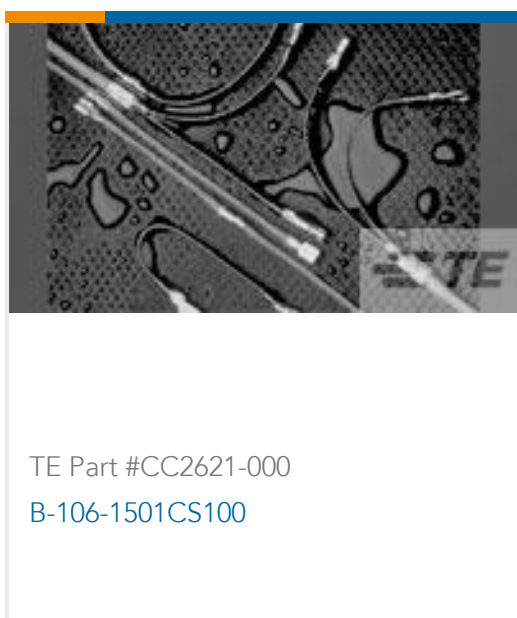
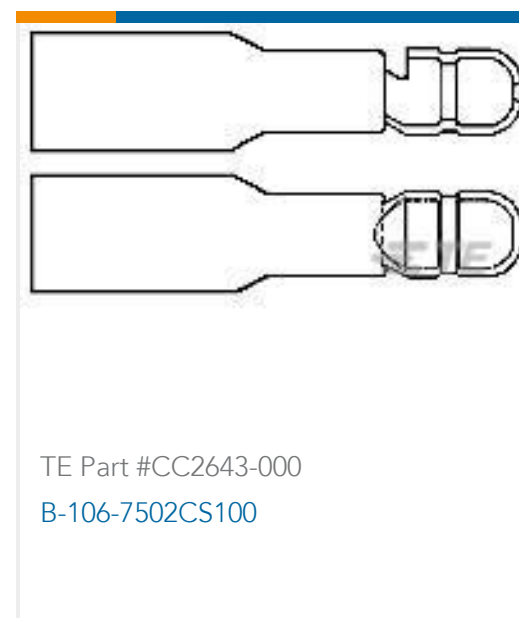
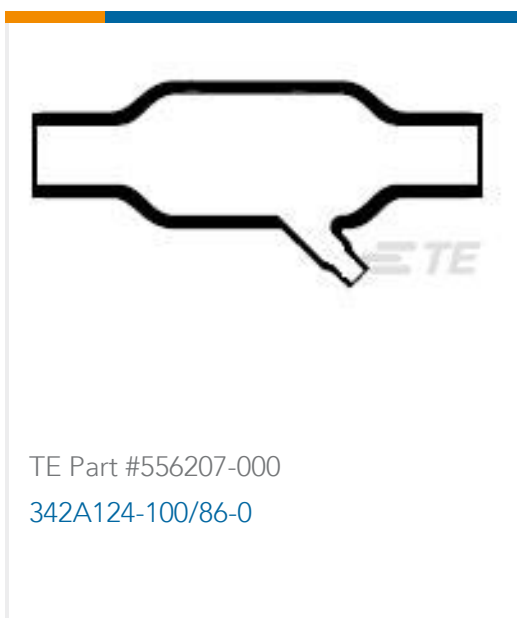
## Compatible Parts

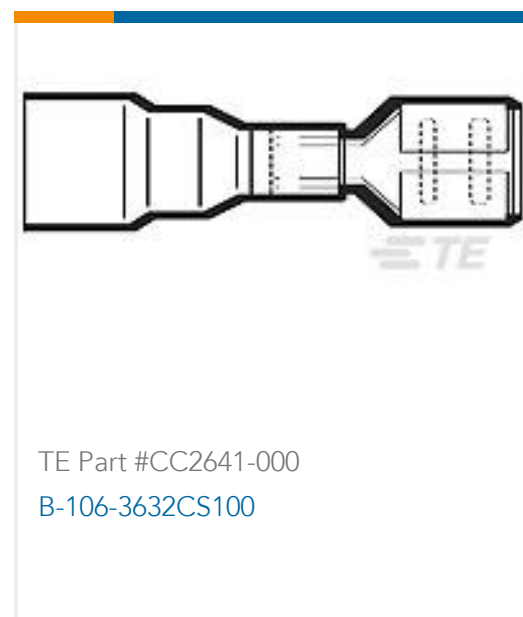
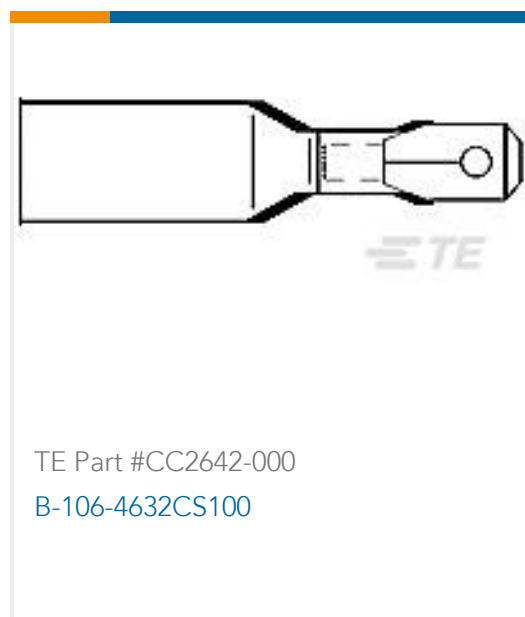


## Also in the Series | SOLISTRAND Budget



## Customers Also Bought





## Documents

### Product Drawings

**BUDG 22-16 SPADE M4**

English