



P-SERIES INCLINOMETER

SPECIFICATIONS

- Single or Dual axis inclinometer
- Measurement range $\pm 5^\circ$; $\pm 15^\circ$ or $\pm 45^\circ$
- High accuracy
- Digital and analogue output signal

The P-Series of conductive inclinometers offers modern technology in an environmentally protected and robust aluminium housing in IP class 65. The inclinometer achieves high accuracy over a wide temperature range. All P-type inclinometers are microprocessor controlled transducers capable of producing a linearized RS-232 digital and analog voltage $\pm 1.5V$ or current output 4...20 mA signal. The inclinometers are an ideal choice for a variety of industrial, automotive and aerospace applications.

FEATURES

- Measurement range up to $\pm 45^\circ$
- High resolution
- Robust metal housing
- High accuracy
- Rugged M9 female connector
- Programmable zero point, baud rate
- Easy mounting

APPLICATIONS

- Building control
- Road construction machines
- Weighing systems
- Mobile and stationary cranes
- Hydraulic leveling
- Platform leveling
- Drilling machines

PERFORMANCE SPECIFICATIONS

	Conditions	Min	Type	Max	Unit
Measurement range		-5, -15, -45		+5, +15, +45	°
Resolution		0.001		0.005	°
Accuracy, digital output	Ta = +25°C		0.02, 0.03, 0.4		°
Accuracy, analogue output	Ta = +25°C		0.05, 0.06, 0.6		°
Accuracy, digital output	Ta = -25°C to +85°C		0.2, 0.4, 0.7		°
Accuracy, analogue output	Ta = -25°C to +85°C		0.25, 0.5, 0.8		°
Noise RMS			0.002		°
Power supply		+6.5		+24	VDC
Current consumption	Sensor specific		30	40	mA
Operation temperature range		-25		+85	°C
Storage temperature range		-40		+85	°C
Transmission rate	RS 232 interface		1		Hz
Baud rate, programmable	RS 232 interface	2.4		9.6	kB
Current output (1)	NS-xx/PI	20		4	mA
Voltage output (2)	NS-xx/P	-1.5		+1.5	V
Weight	Depending on kind of sensor	210		340	g
Dimensions	Single axis unit, W x D x H		90 x 40 x 45.5		mm
Dimensions	Dual axis unit, W x D x H		90 x 60 x 45.5		mm

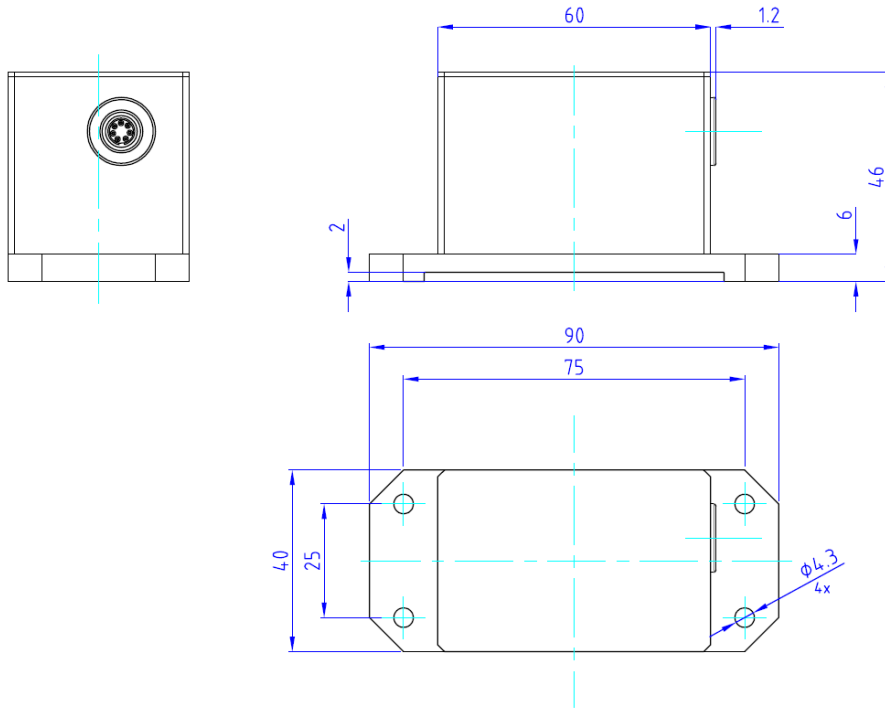
(1) Standard impedance Za<160 Ohm, special impedance Za<260 Ohm on request

(2) Ratiometric to GNDx

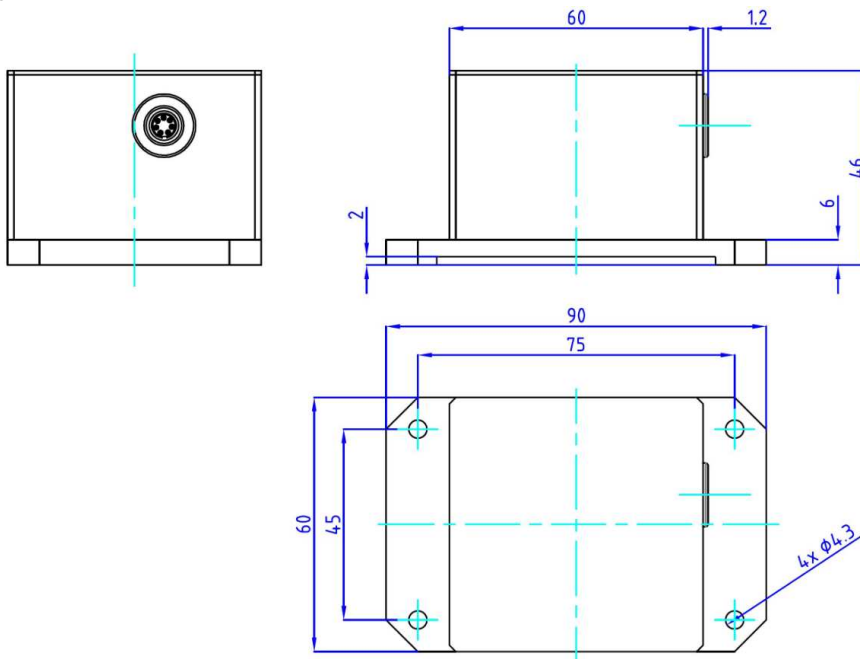
P-SERIES INCLINOMETER

DIMENSIONS [MM]

Single axis unit:



Dual axis unit:

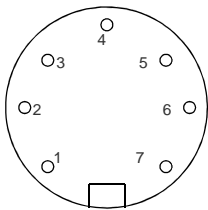


P-SERIES INCLINOMETER

PINNING – SINGLE AXIS UNIT WITH RS 232 INTERFACE AND CURRENT OUTPUT

Pin	Name	Description	Type	Color schema ⁽¹⁾
1	Vcc	power supply +6.5 to +24VDC	supply	white
2	GND	power supply ground, RS 232 ground	supply	brown
3	Earth	earth	supply	green
4	GNDx	signal ground for current output	supply	yellow
5	Out x	x-axis current output 4 to 20mA	output	grey
6	RxD	input digital signal RS232	input	pink
7	TxD	output digital signal RS 232	output	blue

(1) By using a Measurement Specialties cable



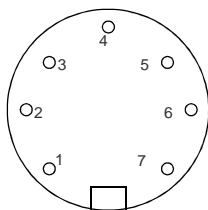
Front view of housing connector inclinometer

For more details please use the product specification / application note / instruction manual.

PINNING – SINGLE AXIS UNIT WITH RS 232 INTERFACE AND VOLTAGE OUTPUT

Pin	Name	Description	Type	Color schema ⁽¹⁾
1	Vcc	power supply +6.5 to +24VDC	supply	white
2	GND	power supply ground, RS 232 ground	supply	brown
3	Earth	earth	supply	green
4	GNDx	signal ground for voltage output	supply	yellow
5	Out x	x-axis voltage output +/-1.5V	output	grey
6	RxD	input digital signal RS232	input	pink
7	TxD	output digital signal RS 232	output	blue

(1) By using a Measurement Specialties cable



Front view of housing connector inclinometer

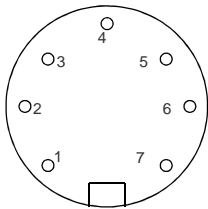
For more details please use the product specification / application note / instruction manual.

P-SERIES INCLINOMETER

PINNING – DUAL AXIS UNIT WITH RS 232 INTERFACE

Pin	Name	Description	Type	Color schema ⁽¹⁾
1	Vcc	power supply +6.5...+24VDC	supply	white
2	GND	power supply ground, RS 232 ground	supply	brown
3	Earth	earth	supply	green
4	n.c.	n.c.	-	yellow
5	n.c.	n.c.	-	grey
6	RxD	input digital signal RS232	input	pink
7	TxD	output digital signal RS 232	output	blue

(1) By using a Measurement Specialties cable



Front view of housing connector inclinometer

For more details please use the product specification / application note / instruction manual.

DESCRIPTION DIGITAL RS 232 INTERFACE

	Single axis unit	Dual axis unit
Baud rate:	2400(*)/9600 baud	2400(*)/9600 baud
Format:	ASCII, 8 data bits, 1 stop bit, no parity	ASCII, 8 data bits, 1 stop bit, no parity
String length:	9 byte	22 byte
Layout:	< D ₀ ,D ₁ ,D ₂ ,D ₃ ,D ₄ ,D ₅ ,D ₆ ,D ₇ ,D ₈ >	< D ₀ ... D ₂₁ >
	D ₀ = sign	D ₀ ... D ₈ = "X"; "=" + (-); "xx.xxx"
	D ₁ ...D ₆ = angle (XX.XXX)	D ₂ = sign (+ or -)
	D ₃ = point	D ₅ = point
	D ₇ =<CR>	D ₉ =<CR>
	D ₈ =<LF>	D ₁₀ =<LF>
		D ₁₁ ... D ₂₁ = "Y"; "=" + (-); "yy.yyy"
		D ₁₃ = sign (+ or -)
		D ₁₆ = point
		D ₂₀ =<CR>
		D ₂₁ =<LF>

(*) default value

P-SERIES INCLINOMETER

ORDERING INFORMATION

PART NUMBERING	UNIT	SHORT DESCRIPTION
Single axis unit		
G-NSP-001	NS-5/P	single axis, +/-5° angle, Vcc +6.5 to 24VDC, output +/-1.5V,RS232
G-NSPI-001	NS-5/PI	single axis, +/-5° angle, Vc c +6.5 to 24VDC, output 4 to 20 mA,RS232
G-NSP-002	NS-15/P	single axis, +/-15° angle, Vcc +6.5 to 24VDC, output +/-1.5V,RS232
G-NSPI-002	NS-15/PI	single axis, +/-15° angle, Vc c +6.5 to 24VDC, output 4 to 20 mA,RS232
G-NSP-005	NS-45/P	single axis, +/-45° angle, Vcc +6.5 to 24VDC, output +/-1.5V,RS232
G-NSPI-006	NS-45/PI	single axis, +/-45° angle, Vc c +6.5 to 24VDC, output 4 to 20 mA,RS232
Dual axis unit		
G-NSP2-001	NS-5/P2	dual axis, +/-5° angle, Vcc +6.5 to 24VDC, output RS232
G-NSP2-003	NS-15/P2	dual axis, +/-15° angle, Vcc +6.5 to 24VDC, output RS232
G-NSP2-006	NS-45/P2	dual axis, +/-45° angle, Vcc +6.5 to 24VDC, output RS232
Accessories		
G-NSMIS-001	connection	connector, straight, Submin.712-series
G-NSMIS-015	connection	connector, angle 90°, Subm in.712-series
G-NSMIS-002	connection	2 m cable, straight connector Submin.702-series
G-NSMIS-003	connection	2 m cable, angle 90°conne ctor Submin.702-series
Other cable lenght on request		

NORTH AMERICA

TE Connectivity Sensors, Inc.
1000 Lucas Way
Hampton, VA 23666
United States
Phone: +1-800-745-8008
Fax: +1-757-766-4297
Email: customer-care.hmpt@te.com
Web: www.te.com

EUROPE

TE Connectivity Sensors
Germany GmbH
Hauert 13
D-44227 Dortmund
Germany
Phone: +49-(0)231-9740-0
Fax: +49-(0)231-9740-200
Email: customer-care.dtm@te.com
Web: www.te.com

ASIA

TE Connectivity Sensors China Ltd.
No. 26, Langshan Road
High-tech Park (North)
Nanshan District, Shenzhen 518057
China
Phone: +86-755-33305088
Fax: +86-755-33305099
Email: customer-care.shzn@te.com

www.te.com

TE Connectivity, TE Connectivity (logo) and EVERY CONNECTION COUNTS are trademarks. All other logos, products and/or company names referred to herein might be trademarks of their respective owners.

The information given herein, including drawings, illustrations and schematics which are intended for illustration purposes only, is believed to be reliable. However, TE Connectivity makes no warranties as to its accuracy or completeness and disclaims any liability in connection with its use. TE Connectivity's obligations shall only be as set forth in TE Connectivity's Standard Terms and Conditions of Sale for this product and in no case will TE Connectivity be liable for any incidental, indirect or consequential damages arising out of the sale, resale, use or misuse of the product. Users of TE Connectivity products should make their own evaluation to determine the suitability of each such product for the specific application.

© 2017 TE Connectivity Ltd. family of companies All Rights Reserved.