



## NETSCANNER TEMPERATURE SCANNERS

- Networkable Voltage & Temperature Instruments
- Withstand 30 g and 160 dB
- Smart Connector with Auto Sensor Discovery

The PSI 9146-R, 9146-T and 9046-S are networkable instruments to measure thermocouples, RTDs or voltages. On-board signal conditioning, analog to digital conversion and microprocessor compensation combine to provide high accuracy data. Host PC interface is achieved via Ethernet at data throughput rates up to 33 Hz in Engineering Units or 100 Hz in raw count data format. The 9146-R, 9146-T and 9046-S are part of the NetScanner family of instruments. All NetScanner instruments share a common power, software and communication protocols.

Each of the three temperature scanners has unique termination features. The 9146-R uses LEMO® Circular connectors for 3 or 4 wire RTDs and an innovative new technology called Smart Connectors™ to provide automatic sensor identification and compensation by combining independent uniform temperature reference junctions with EEPROM memory. This technology allows the 9146-R to measure RTDs, fine gauge thermocouples or voltages. The 9146-T uses a screw terminal interface to provide convenient connection to 2 or 3 wire medium gauge thermocouples. The 9046-S uses crimp pins for direct sensor connection and a gland seal to provide an environmentally sealed instrument capable of measuring any combination of thermocouples and RTDs.

The NetScanner family of instruments provides a complete networkable measurement solution for temperature, pressure, barometric and voltage measurements. Capable of withstanding high shock, vibration and acoustic noise, these IP rated instruments are ideally suited for turbine engine testing and similar demanding environments.

### Features

- Rugged Splash-proof Enclosure
- Temperature and Voltage Measurements
- Individual UTR per channel

### Applications

- Turbine Engine Test Cells
- Compressor Test Cells
- Process Monitoring

**Specifications**

PARAMETER	9146-R	9146-T	9046-S	COMMENT
Input Types	Thermocouple RTD Volts/mV	Thermocouple	Thermocouple RTD Volts/mV Resistance	
Number of Inputs	16 or 32	16	16	
Input Connectors	Smart Connector™ LEMO Connector	Screw Terminal #8 Binder Head MS 3470L14-15P	Crimp Pins	
Scan Rates	33 Hz/Channel-EU 100 Hz/Channel-Raw		5 Hz/Channel 10 Hz/Channel 33 Hz/Channel	EU-RTD EU-TC Volts
Communication	10/100 Base-T Auto-negotiating Full Duplex		10 Base-T Half Duplex	Ethernet
Protocol		TCP and UDP		
Compensated Temp Range		-30 to 60 °C		
Operating Temp Range		-30 to 70 °C		
IP Rating	IP-66	IP-54	IP-54	
Vibration <sup>1</sup>	20 g	30 g	N/A	Peak Acceleration
Shock		30 g	N/A	Peak Shock
Acoustic		160dB	N/A	acoustical noise referenced to 2 x 10 <sup>-5</sup> N/m <sup>2</sup> for 30 min
Size	9.5 x 3.5 x 3.2	9.5 x 3.5 x 3.4	9.5 x 3.5 x 3.8	inches
Weight	4.5 lb.	5.3 lb.	6.5 lb.	
Input Voltage		18 – 36 VDC		unregulated
Input Current		200 mA		max @ 24 VDC
Trigger		5 VDC		0 to 5V TTL
Common Mode Voltage	10 VDC	10 VDC	5 VDC	

1 Requires vibration shock mount kit P/N 9SM.

**Specifications**

**Accuracy and Resolution**

**RTD – Volts – Resistance**

PARAMETER	9146-R	9146-T	9046-S	COMMENT
<b>Accuracy / Resolution</b>				
RTD	0.25 °C / 0.023 °C	N/A	0.304 °C / 0.019 °C	
Volts	N/A	N/A	2.500 mV / 0.153 mV	Gain 1
	0.15 mV / 0.015 mV	N/A	N/A	Gain 10
	N/A	N/A	0.125 mV / 0.008 mV	Gain 20
	N/A	N/A	0.056 mV / 0.003 mV	Gain 45
	0.017 mV / 0.002 mV	N/A	0.028 mV / 0.002 mV	Gain 90
Resistance	N/A	N/A	40.000 Ω / 2.442 Ω	Gain 1
	N/A	N/A	N/A	Gain 10
	N/A	N/A	0.554 Ω / 0.034 Ω	Gain 20
	N/A	N/A	0.232 Ω / 0.014 Ω	Gain 45
	0.10 Ω / 0.009 Ω	N/A	0.114 Ω / 0.007 Ω	Gain 90

**Accuracy and Resolutions**

**Thermocouples**

THERMOCOUPLES 9146-R & 9146-T	ASTM RANGE ACCURACY / RESOLUTION <sup>2</sup>	ASTM RECOMMENDED RANGE	FULL RANGE ACCURACY / RESOLUTION <sup>1</sup>	FULL RANGE
J	0.39 °C / 0.03 °C	0 to 760 °C	0.41 °C / 0.03 °C	-210 to 1200 °C
K	0.53 °C / 0.04 °C	-200 to 1260 °C	0.64 °C / 0.06 °C	-270 to 1370 °C
T	0.53 °C / 0.04 °C	-200 to 370 °C	0.72 °C / 0.07 °C	-270 to 400 °C
N	0.84 °C / 0.08 °C	-270 to 1300 °C	0.84 °C / 0.08 °C	-270 to 1300 °C
E	0.36 °C / 0.03 °C	-200 to 900 °C	0.44 °C / 0.04 °C	-270 to 1000 <sup>g</sup> C
R	1.59 °C / 0.15 °C	0 to 1480 °C	1.59 °C / 0.15 °C	-50 to 1760 °C
S	1.74 °C / 0.17 °C	0 to 1480 °C	1.75 °C / 0.17 °C	-50 to 1760 °C
B	1.69 °C / 0.16 °C	870 to 1700 °C	4.92 °C / 0.31 °C	0 to 1820 °C
<b>9046-S</b>				
J	0.59 °C / 0.03 °C	0 to 760 °C	0.62 °C / 0.03 °C	-210 to 1200 °C
K	0.82 °C / 0.04 °C	-200 to 1260 °C	0.99 °C / 0.06 °C	-270 to 1370 °C
T	0.82 °C / 0.04 °C	-200 to 370 °C	1.11 °C / 0.07 °C	-270 to 400 °C
N	1.30 °C / 0.08 °C	-270 to 1300 °C	1.30 °C / 0.08 °C	-270 to 1300 °C
E	0.54 °C / 0.03 °C	-200 to 900 °C	0.67 °C / 0.04 °C	-270 to 1000 <sup>g</sup> C
R	2.59 °C / 0.15 °C	0 to 1480 °C	2.59 °C / 0.15 °C	-50 to 1760 °C
S	2.83 °C / 0.17 °C	0 to 1480 °C	2.84 °C / 0.17 °C	-50 to 1760 °C
B	2.74 °C / 0.16 °C	870 to 1700 °C	7.48 °C / 0.31 °C	0 to 1820 °C

<sup>2</sup> Average accuracy and resolution over specified measurement range. See User's Manual for accuracies at specific temperatures.

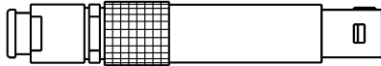
Theory of Operation

The PSI Temperature Scanners are designed to measure temperatures and voltages within gas turbine test cells. They withstand high vibration, shock, acoustic noise and liquids associated with this demanding environment. Three versions exist, each with unique sensor connections. All three instruments output temperature data in Kelvin, Celsius, or Fahrenheit digitally compensated for zero, span, nonlinearity, and ambient temperature effects. They also check for open circuit conditions continuously while data is being acquired, signaling a fault condition within 1 second of its occurrence. Power and communication are provided through a single bayonet style locking circular connector and common cable assembly. Linearization coefficients for Types B, E, J, K, N, R S, and T are built into the firmware. Users may also enter custom coefficients associated with special calibrations or additional thermocouple types.

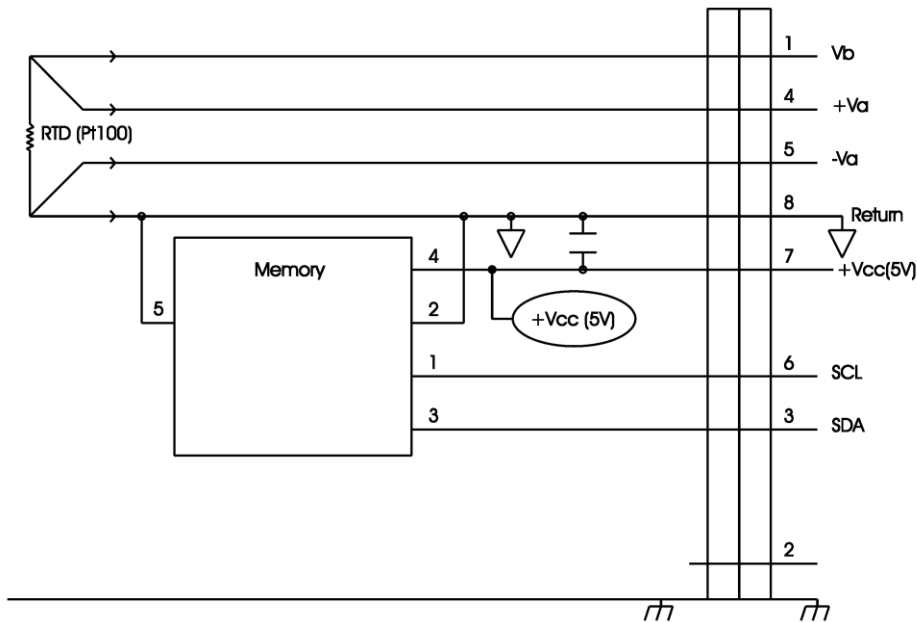
The 9146-R incorporates 16 LEMO Circular Sockets for reliable and convenient thermocouple and RTD sensor connection. Smart Connectors offer automatic sensor identification, hookup verification, and customized calibration coefficients on a per channel basis. Up to 32 voltage measurements are available per unit.

The 9146-T incorporates integral screw terminal connections appropriate for grounded and un-grounded thermocouples. Each of the 16 inputs has a separate uniform temperature reference (UTR) to ensure system accuracy in thermally dynamic environments.

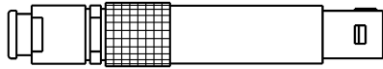
The 9046-S uses crimp pin connections for thermocouple, RTD and voltage measurements. Sensors enter the unit through a side access 3/4" MNPT conduit fitting.



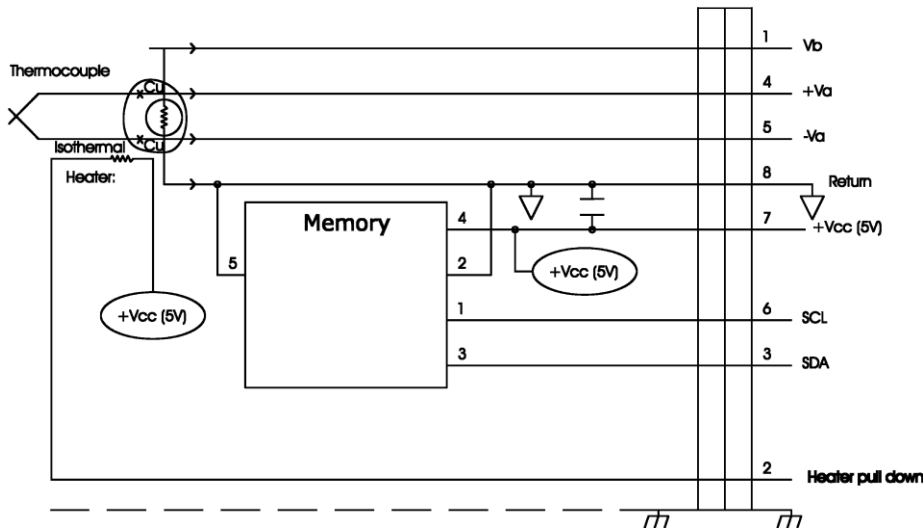
9146-R Smart Connector for RTD Measurements



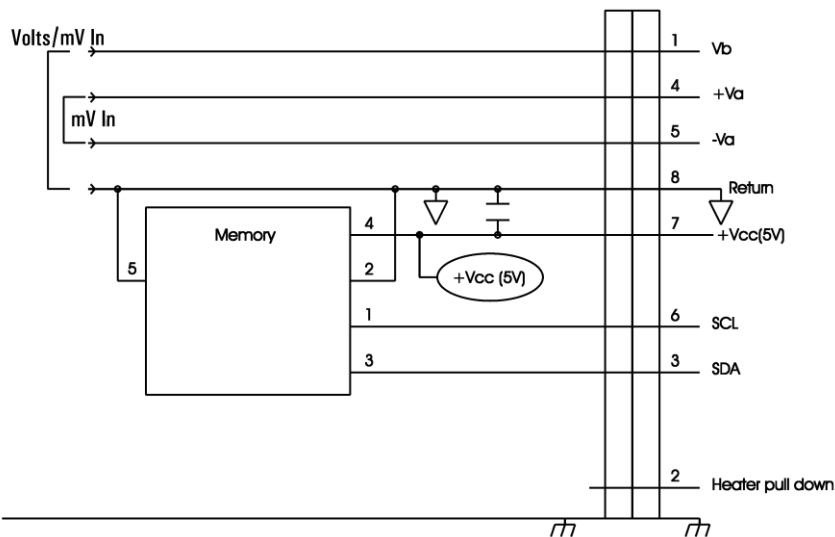
9146-R Connection Diagrams



9146-R Smart Connector for Thermocouple Measurements



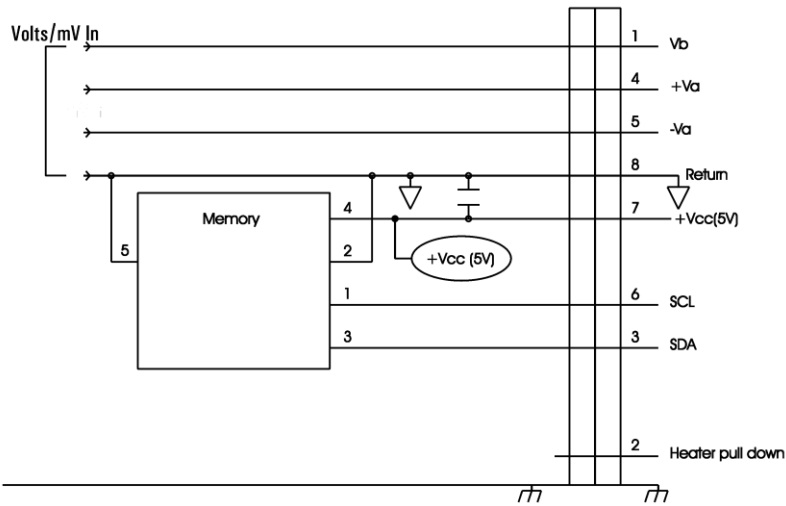
9146-R Smart Connector for Dual Voltage Measurements



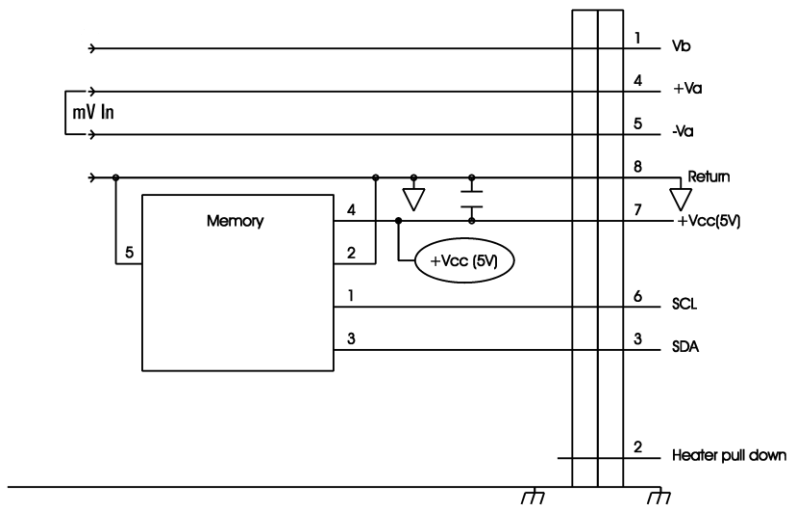
9146-R Connection Diagrams



9146-R Smart Connector for 0-5 VDC Measurements

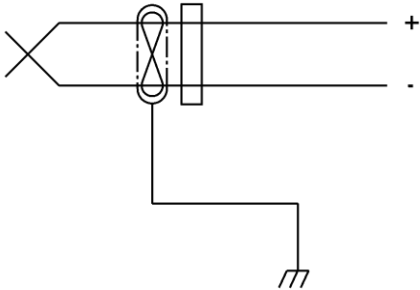


9146-R Smart Connector for 0-55 mV Measurements

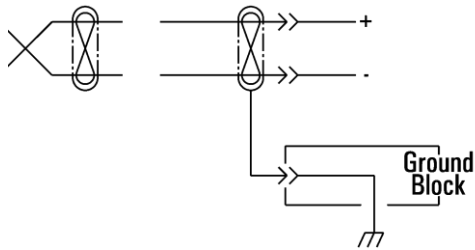


9146-T and 9146-S Connection Diagrams

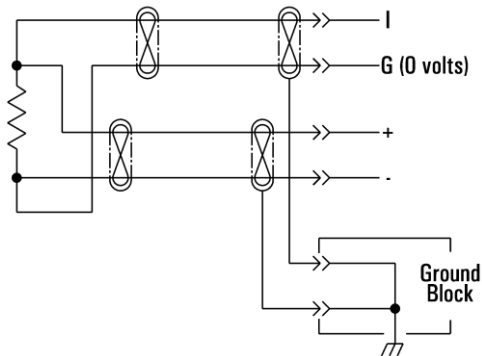
9146-T for Thermocouple Connections



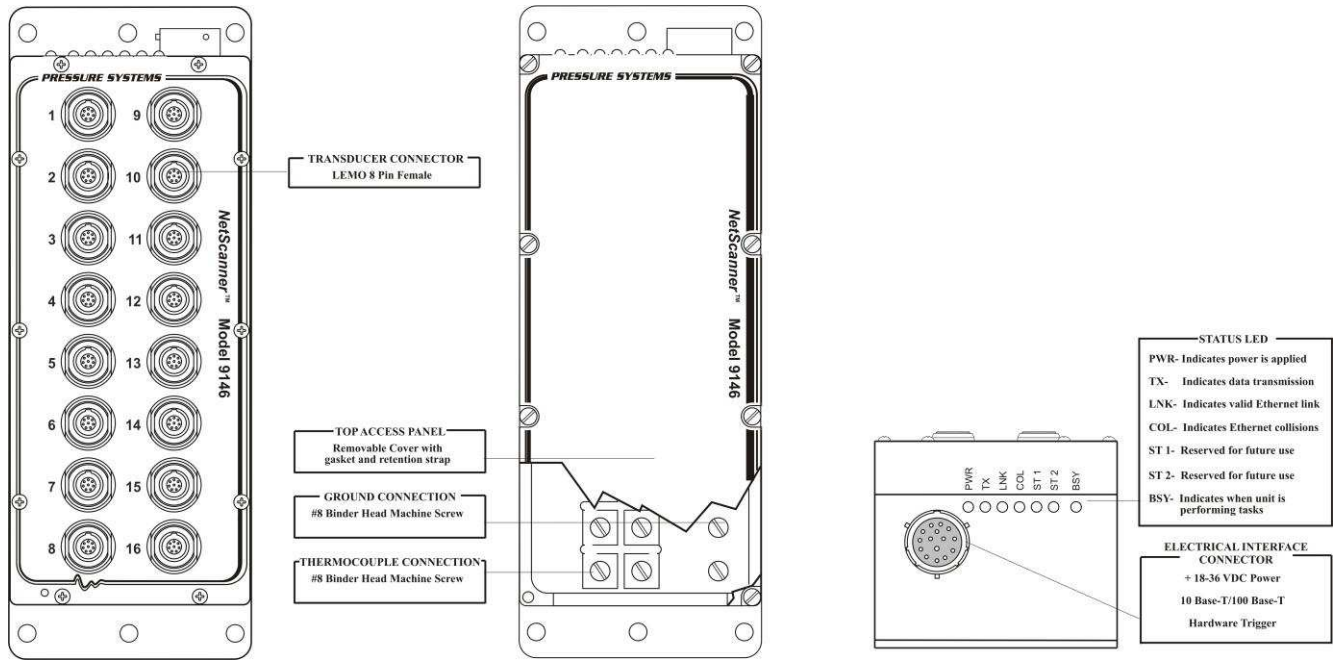
9046-S for Thermocouple Connections



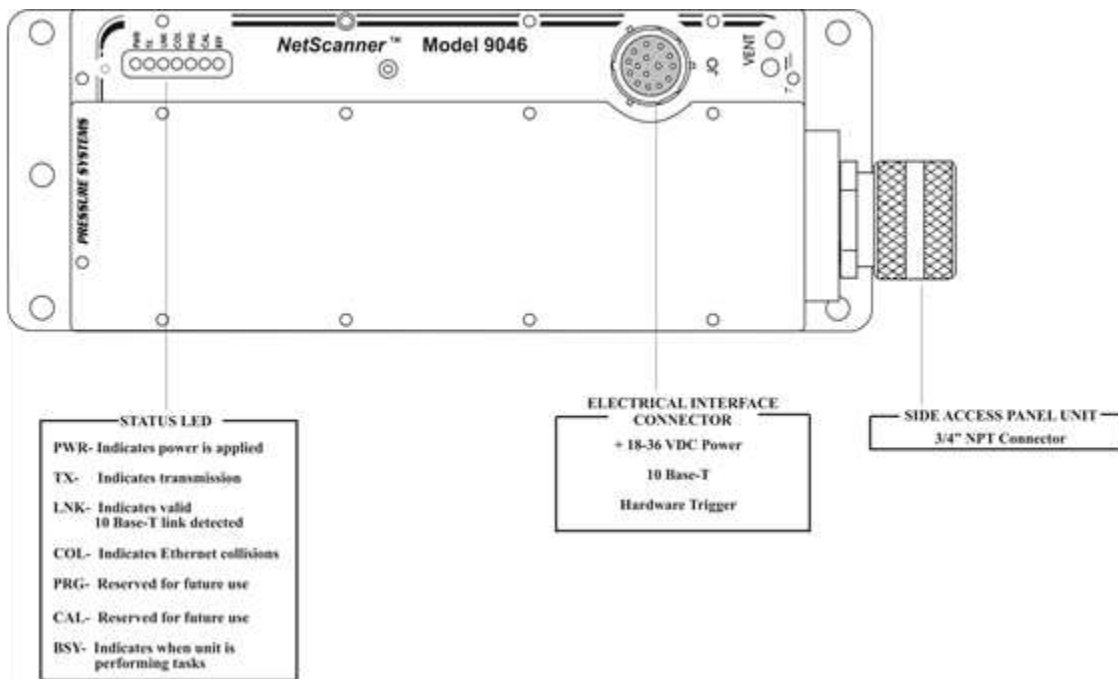
9046-S for RTD Measurements



Front Panel Layout 9146-R and 9146-T



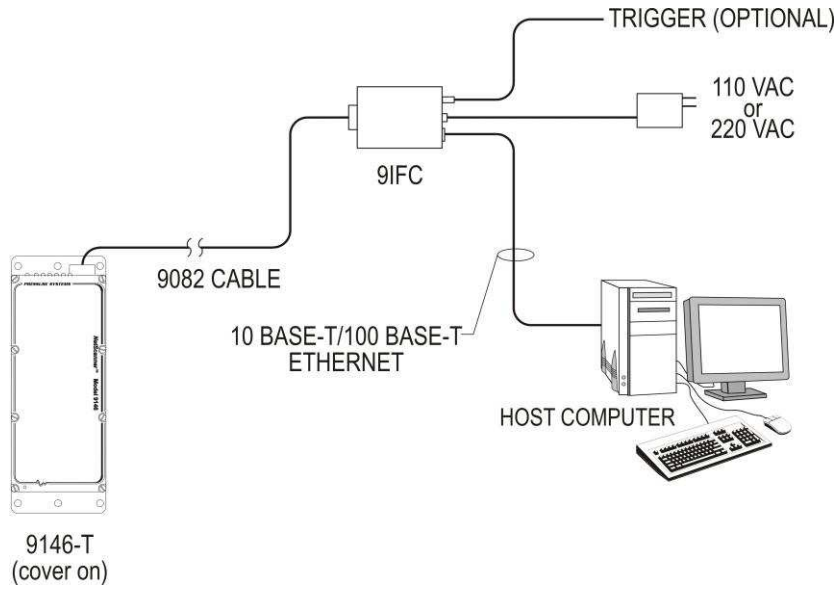
Front Panel Layout 9046-S



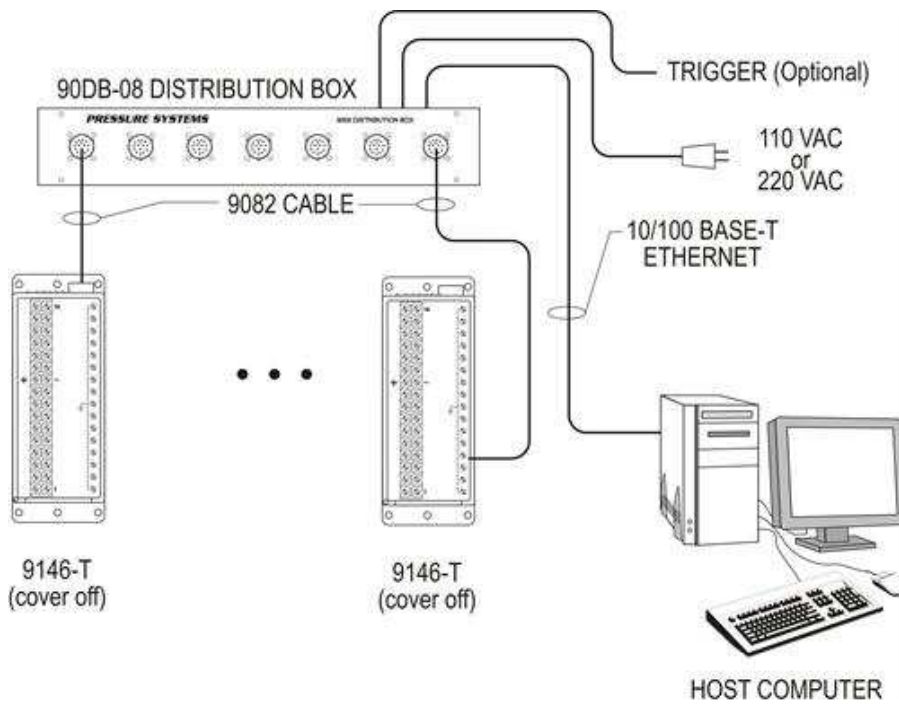


Networking Examples

Single Scanner Connection

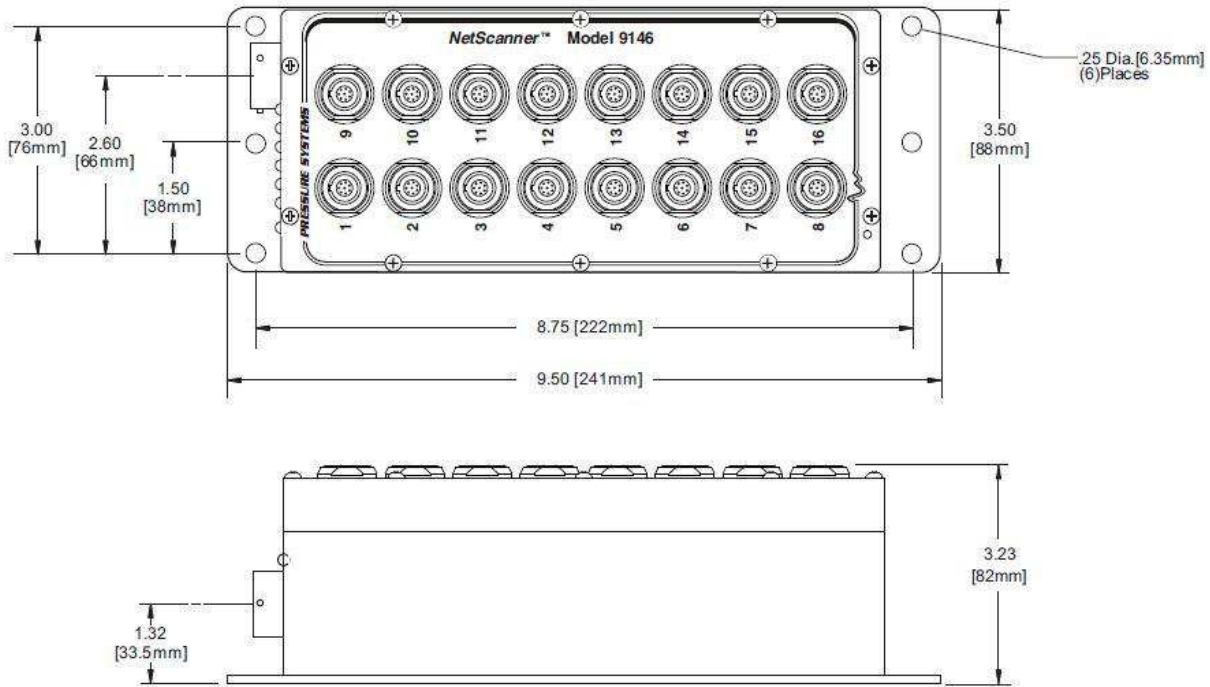


Multiple Scanner Network

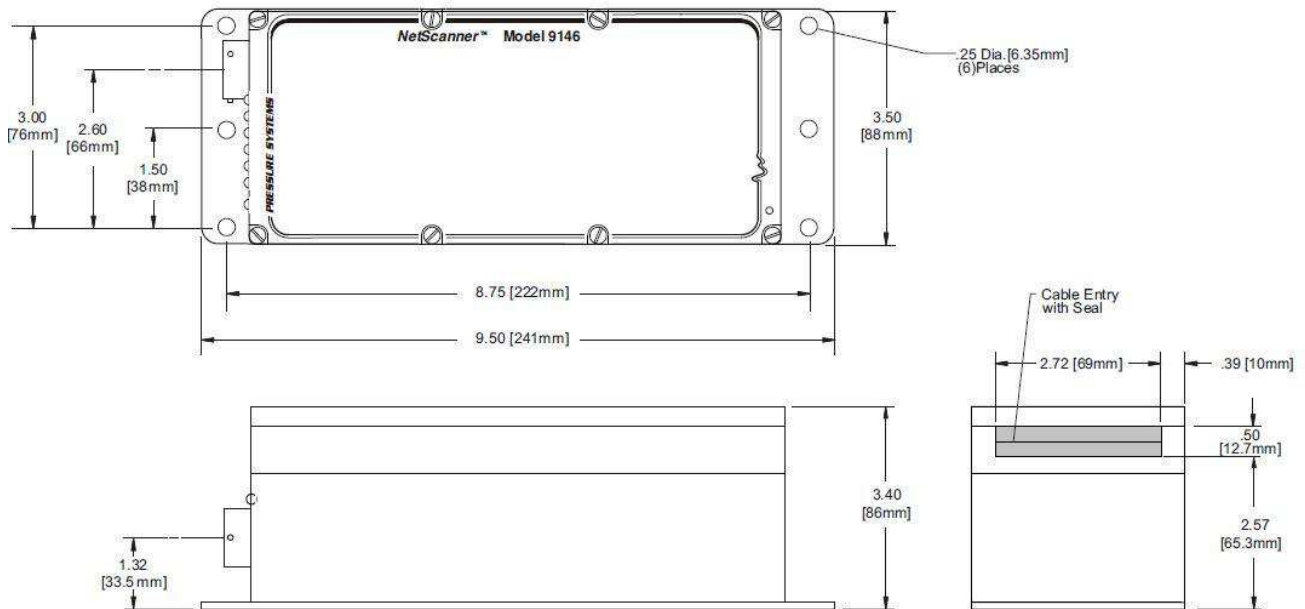


Dimensions 9146-R and 9146-T

9146-R

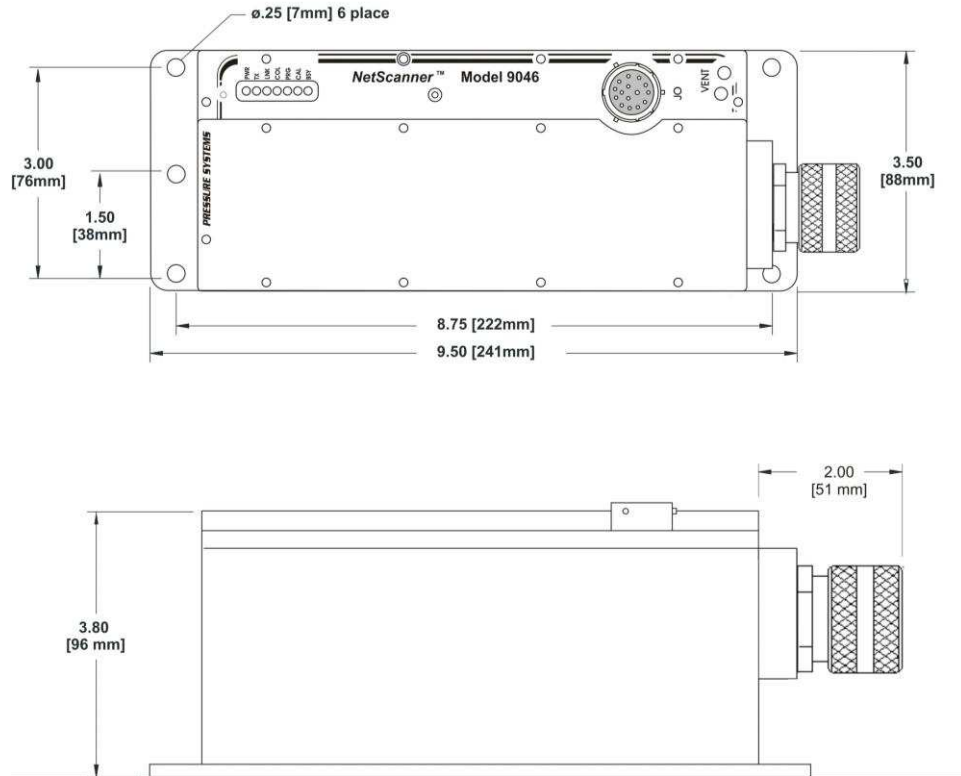


9146-T



## Dimensions 9046-S

### 9046-S



### NORTH AMERICA

Measurement Specialties, Inc.,  
a TE Connectivity Company  
1000 Lucas Way  
Hampton, VA 23666 USA  
Tel +1 757 766 1500  
Fax +1 757 766 4297  
[CustomerCare.hmpt@te.com](mailto:CustomerCare.hmpt@te.com)

### [te.com/sensorsolutions](http://te.com/sensorsolutions)

Measurement Specialties, Inc., a TE Connectivity company.

Measurement Specialties, MEAS, TE Connectivity, TE Connectivity (logo) and EVERY CONNECTION COUNTS are trademarks. All other logos, products and/or company names referred to herein might be trademarks of their respective owners.

The information given herein, including drawings, illustrations and schematics which are intended for illustration purposes only, is believed to be reliable. However, TE Connectivity makes no warranties as to its accuracy or completeness and disclaims any liability in connection with its use. TE Connectivity's obligations shall only be as set forth in TE Connectivity's Standard Terms and Conditions of Sale for this product and in no case will TE Connectivity be liable for any incidental, indirect or consequential damages arising out of the sale, resale, use or misuse of the product. Users of TE Connectivity products should make their own evaluation to determine the suitability of each such product for the specific application.

© 2016 TE Connectivity Ltd. family of companies All Rights Reserved.