



RFID/NFC FPC, ANT, 13.56MHZ, FERRITE, RECT

Part Number: L000643-01

The **L000643-01** is an NFC (Near Field Communications) antenna designed for high-performance two-way read/write operations at 13.56MHz.

The compact, flexible antenna is supplied with adhesive backing for ease of installation. It can be mounted inside a plastic device enclosure or on an internal battery. The ferrite bottom increase the antenna reading distance to maximize overall performance.

FEATURES & BENEFITS

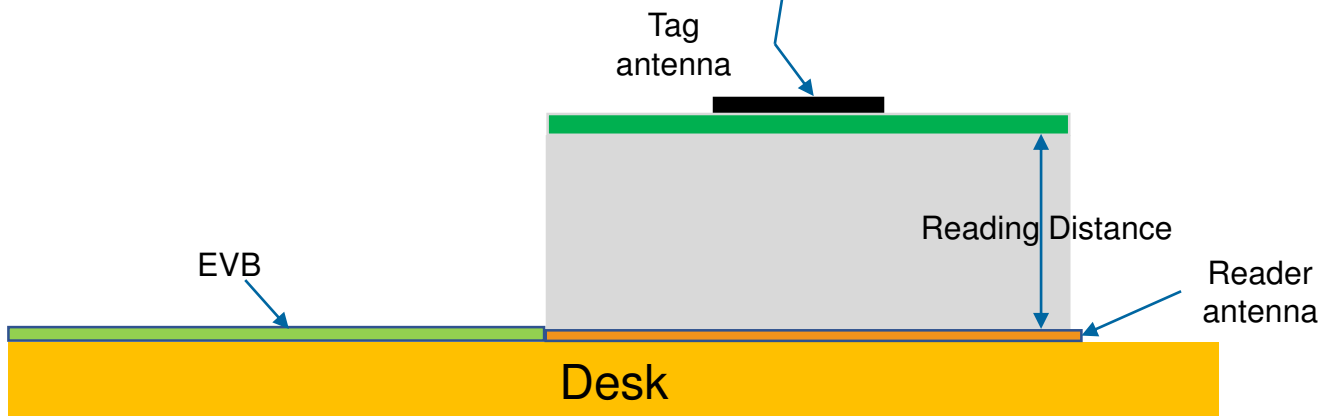
- Frequency **13.56MHz**
- Universal antenna module assembly.
- Low-profile
- Flexible embedded antenna
- Peel and Stick adhesive application
- Antenna bottom with ferrite to increase performance
- Higher reading distance than competition

SPECIFICATIONS

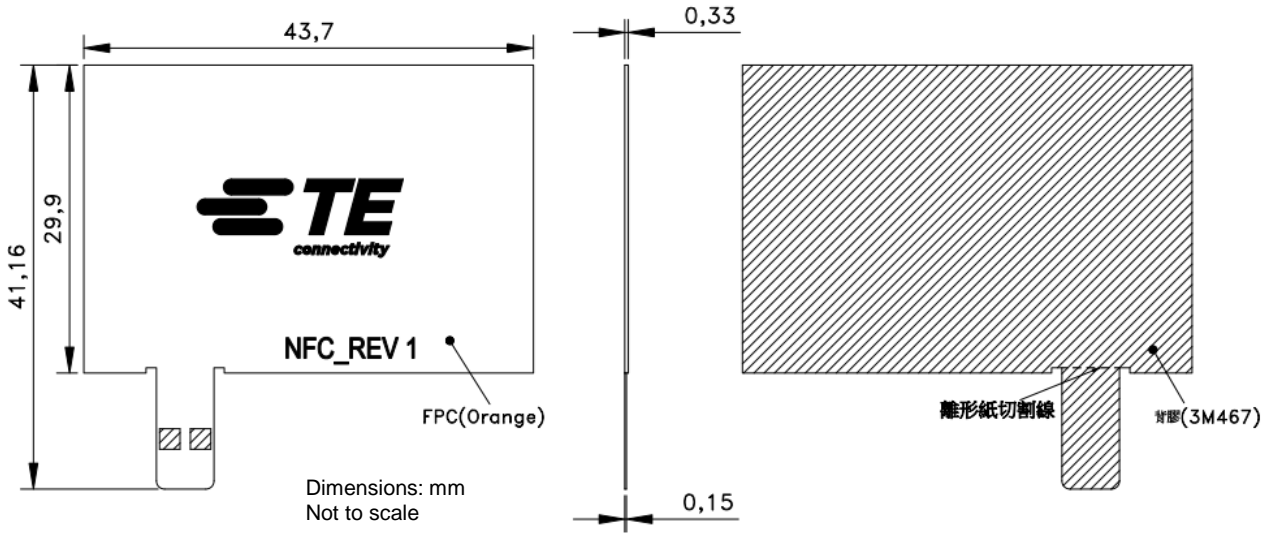
Frequency Range	13.56 MHz
Ls	0.9 uH
Rs	0.8 Ohm
Reading Distance	78 mm
Size	41 mm x 43 mm x 0.33 mm
Weight	<0.1 g
Operating Temperature	-40 to +85°C
Storage Temperature	-40 to +85°C
Hazardous Materials	A certificate of conformance is available from the product page on TE website.

TEST SETUP

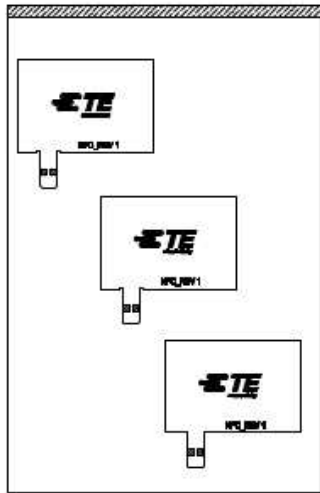
EVB MB1414 board



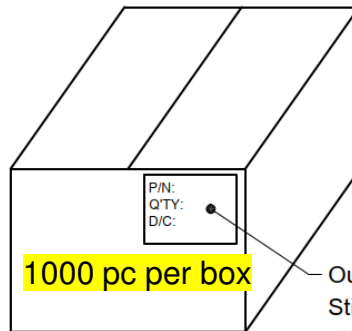
DIMENSIONS



PACKAGING



50PCS Antenna Per bag and seal
(每包50支天線並封口)



Outside the carton:
Stick the label on the side mark
(將標籤黏貼於外箱側麥)

TE TECHNICAL SUPPORT CENTER

USA:	+1 (800) 522-6752
Canada:	+1 (905) 475-6222
Mexico:	+52 (0) 55-1106-0800
Latin/S. America:	+54 (0) 11-4733-2200
Germany:	+49 (0) 6251-133-1999
UK:	+44 (0) 800-267666
France:	+33 (0) 1-3420-8686
Netherlands:	+31 (0) 73-6246-999
China:	+86 (0) 400-820-6015

For phone numbers in other countries, go to te.com/support-center

te.com

TE Connectivity, TE Connectivity (logo) are trademarks. All other logos, products and/or company names referred to herein might be trademarks of their respective owners.

The information given herein, including drawings, illustrations and schematics which are intended for illustration purposes only, is believed to be reliable. However, TE Connectivity makes no warranties as to its accuracy or completeness and disclaims any liability in connection with its use. TE Connectivity's obligations shall only be as set forth in TE Connectivity's Standard Terms and Conditions of Sale for this product and in no case will TE Connectivity be liable for any incidental, indirect or consequential damages arising out of the sale, resale, use or misuse of the product. Users of TE Connectivity products should make their own evaluation to determine the suitability of each such product for the specific application.

© 2023 TE Connectivity Ltd. family of companies All Rights Reserved.

08/2023