

POTTER & BRUMFIELD SOCKETS & ACCESSORIES, KRPA RELAYS

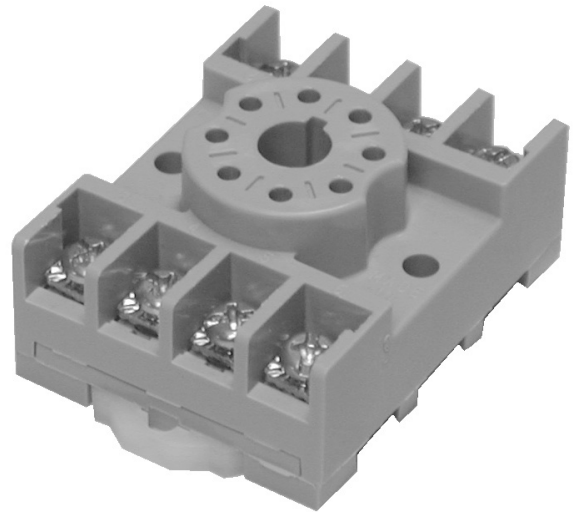
GENERAL PURPOSE RELAYS
INDUSTRIAL RELAYS

INTRODUCTION

Relay accessories are devices to support the design and maintenance of relays in electrical circuits. This relay series include clips, mounting adapters and sockets. Mounting adapters provide adaptation between standard socket types. Sockets are used for relay mounting in configurations, including panel mount and DIN rail and clips are used to secure the relay in the connector.

FEATURES

- Sockets for relays with 8-pin (octal) and 11-pin (undecal) round plugs
- Screw terminals
- Hold down springs
- Various mounting options



APPROVALS

- UL E59244
- CSA LR15734



Technical data of approved types on request.

TECHNICAL DATA

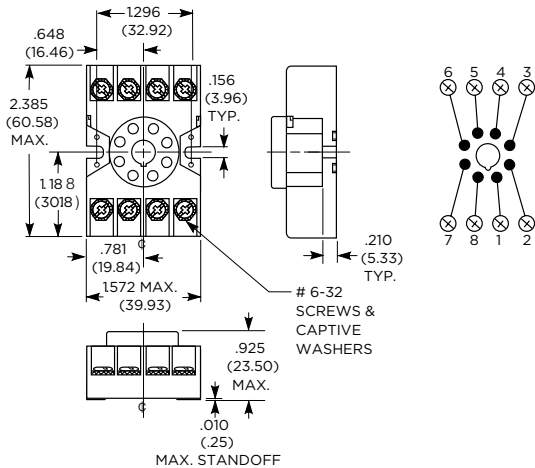
Socket contact material	Spring brass, tin plated
Socket body material	
27E122 and 27E123	Glass-filled polyester
27E891 and 27E892	Polyamide
Maximum current	10A
Maximum Voltage	300VAC (600V for 27E891)

Potter & Brumfield Sockets & Accessories, KRPA Relays

DIMENSIONS

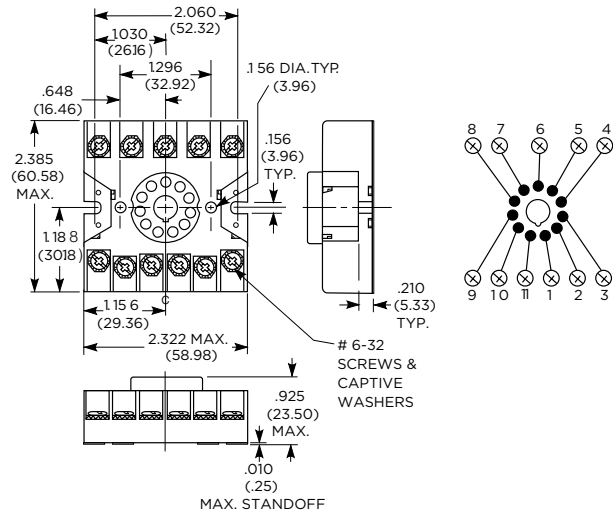
Screw terminal socket for relays with 8-pin octal base 27E122

Offers screw termination for KRPA relays and other devices with 8-pin octal base. When panel mounting, two #6-32 screws of suitable length are required. When track mounting, two 24A071 retainer clips or two 24A072 retainer clips are required.



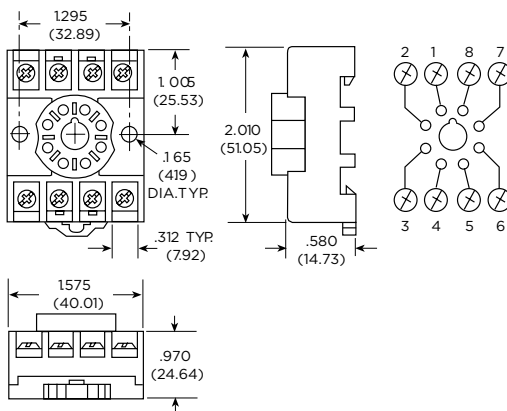
Screw terminal socket for relays with 11-pin undecal base 27E123

Offers screw termination for KRPA relays and other devices with 11-pin undecal base. When panel mounting, two #6-32 screws of suitable length are required. When track mounting, two 24A071 retainer clips or two 24A072 retainer clips are required.



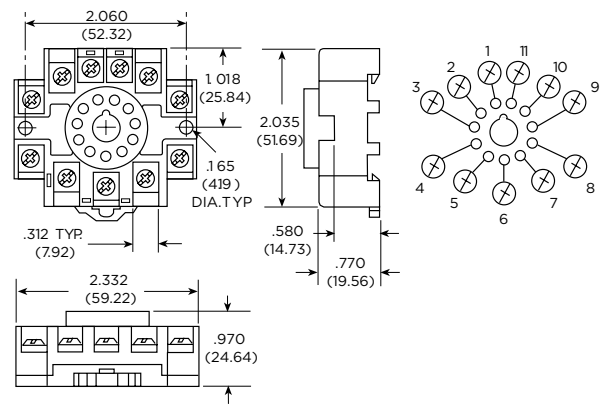
Screw terminal, DIN rail, snap-mount socket 27E891

Offers screw termination for KRPA relays and other devices with 8-pin octal base. This socket is constructed with a spring-loaded latch which allows it to be quickly snapped onto or removed from a DIN or "top hat" style mounting track. No special tools or extra hardware is required for installation. Sockets have M3.5 screw terminals which accept up to two #12 AWG wires.



Screw terminal, DIN rail, snap-mount socket 27E892

Offers screw termination for KRPA relays and other devices with 11-pin undecal base. This socket is constructed with a spring-loaded latch which allows it to be quickly snapped onto or removed from a DIN or "top hat" style mounting track. No special tools or extra hardware is required for installation. Sockets have M3.5 screw terminals which accept up to two #12 AWG wires.



ORDERING CODE

Ordering Code for Sockets					Recommended hold down springs	
TE Part Number	P&B Part Number	Pins	Terminal type	Mounting	TE Part Number	P&B Part Number
1393143-6	27E122	8	screw	panel/rail	1419111-1	20C206
2-1419106-3	27E891	8	screw	snap-on DIN-rail	5-1393159-0	20C419
1393143-7	27E123	11	screw	panel/rail	1419111-1	20C206
2-1419106-4	27E892	11	screw	snap-on DIN-rail	5-1393159-0	20C419

All accessories must be ordered separately.
For panel mounting versions, two #6-32 nuts and screws of suitable length are required.
Recommended installation torque for terminal screws is 7.5 in-lb.

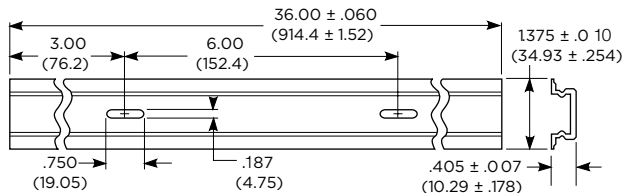
TRACK AND MOUNTING ACCESSORIES



DIMENSIONS

24A110 DIN rail style mounting track

24A110 mounting track is designed to accept snap-mount sockets, as well as other P&B screw terminal sockets. Track is made of lightweight, sturdy extruded aluminum and is shipped in three-foot (914cm) lengths with mounting holes on six-inch (152mm) centers. Track can be cut to shorter lengths or used end-to-end.



End Clip

24A071 steel mounting clip with one #6-32 screw 7/16" (11.1 mm) long is used with a 40G432 insulator to prevent sockets from moving sideways or sliding off the end of the track.

ORDERING CODE FOR ACCESSORIES

Product Code	Description	Part number
20C206	Relay hold down spring for use with 27E122 & 27E123 KRPA sockets. For mounting track is held in place by mounting hardware 24A071 (sold separately). For panel mounting, two #6-32 screws of suitable length are required.	1419111-1
20C419	Snap-in relay hold down spring (coil type) for use with 27E891 and 27E892 KRPA sockets.	5-1393159-0
24A110	Mounting track	1419111-6
24A071	Steel mounting clip with #6-32 screw use with sockets 27E122 and 27E123 on 24A110 track (compatible with 20C206 hold down spring)	1419111-5
24A072	Plastic twist mounting clip - use with sockets 27E122 and 27E123 on 24A110 track (when no hold down spring is used.)	5-1393159-4
40G432	Plastic insulator - use with 24A071 to make end clip for 24A110 track	9-1393159-5

All accessories must be ordered separately.

te.com

©2024 TE Connectivity Ltd. Family of Companies. All Rights Reserved.

TE Connectivity, TE connectivity (logo) and Every Connection Counts are trademarks owned or licensed by the TE Connectivity family of companies. All other logos, products and/or company names referred to herein might be trademarks of their respective owners.

While TE has made every reasonable effort to ensure the accuracy of the information in this document, TE does not guarantee that it is error-free, nor does TE make any other representation, warranty or guarantee that the information is accurate, correct, reliable or current. TE reserves the right to make any changes to the information contained herein without prior notice. TE Connectivity assumes only those obligations set forth in the terms and conditions for this product and shall in no event be liable for any incidental, indirect, or consequential damages arising out of the sale, resale, use, or misapplication of the product. TE expressly disclaims any implied warranties with respect to the information contained herein, including, but not limited to, implied warranties of merchantability or fitness for a particular purpose. Dimensions, specifications and/or information contained herein are for reference purposes only and are subject to change without notice. Consult TE for the latest dimensions, specifications and/or information. Users of TE Connectivity products must make their own assessment as to whether the respective product is suitable for the respective desired application.

04/24 ED