



KISSLING INDUCTIVE PROXIMITY SWITCH

Military Series - from TE Connectivity (TE)

Switch for crucial applications

These inductive proximity switches are designed to meet crucial applications with enhanced environmental requirements. These switches are precise and provide reliable and consistent switching performance even under tough conditions.

These switches all have a closed steel or thermoplastic housing and are sealed in accordance with the IP67 standard.

Our inductive proximity switches are based upon the principle of an attenuated LC-oscillator. The oscillator circuit coil generates a high frequency magnetic field. This scattering field radiates from the proximity switch sensing face. If this field is penetrated by ferrous or non-ferrous metals (pickup range), energy is reduced and thereby the oscillator will be “attenuated”. The result of changing current consumption is evaluated and allows a precise switching function.

Features

- Multiple circuit designs available
- Various housing forms and thread sizes for mounting (M12 / M18 / M30)
- Special models for enhanced pressure capability up to 50 bar
- Customized versions available according to individual needs
- Max. continuous load up to 200mA
- Additional magnetic field sensor available
- Temperature range
-40°C to 80°C / 100°C

Applications

- Commercial and military vehicles
- Automotive equipment
- General mechanical engineering
- Appliance and industrial engineering
- Marine applications

KISSLING INDUCTIVE PROXIMITY SWITCH

Military Series

Specification

Electrical Data

Voltage range	10 - 32VDC
Nominal voltage	24VDC
Ripple voltage	10%
Individual input current NC active / passive	< 1mA / < 15mA
Individual input current NO active / passive	< 15mA / < 1mA
Nominal current	< 200mA
Residual stress	< 2VDC @ 200mA
Repetition rate of sensing	≤ 1000Hz
Operating time	100%
Polarity protection	included
Short circuit protection	pulsed
EMV firmness	version dependent

Environmentally Characteristics

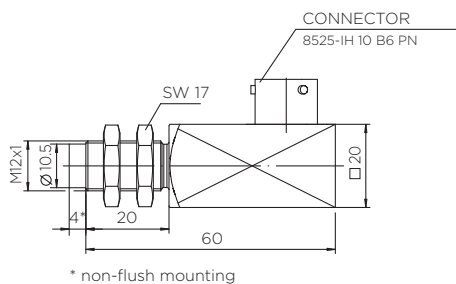
Switching hysteresis	typ. 0.1mm / 0.2mm
Reproduce ability	≤ 0.01mm
Temperature drift	+/- 10%
Temperature range	-40°C to 80°C / 100°C
Protection	IP67 / IEC 60529

Technical drawings

LK12.2033.2 Sn* = 2mm

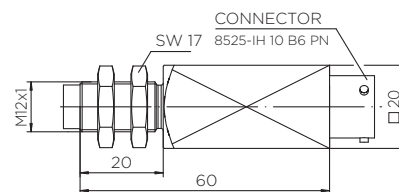
LK12.2033.4 Sn = 4mm

for example NPN-NO with 2 control inputs for service



LK12.2034.2 Sn = 2m

for example NPN-NO with 2 control inputs for service



*Sn = Rated operating distance

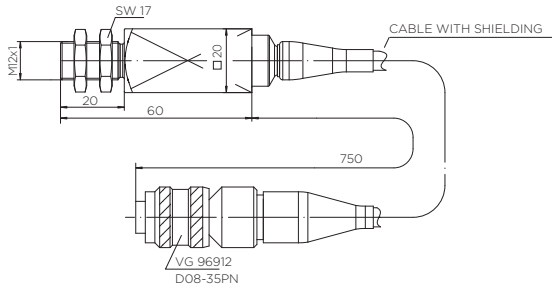
KISSLING INDUCTIVE PROXIMITY SWITCH

Military Series

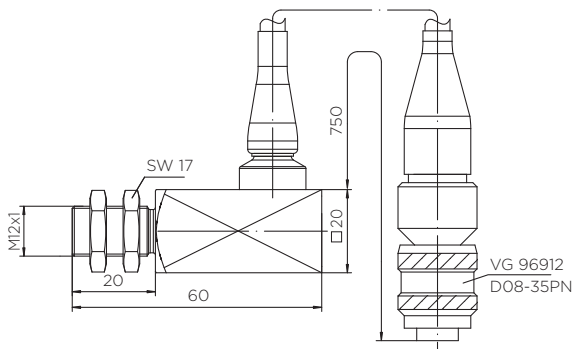
Technical drawings

LK12.2037.2 Sn = 2mm (flush)

for example NPN-NO with 2 control inputs for service

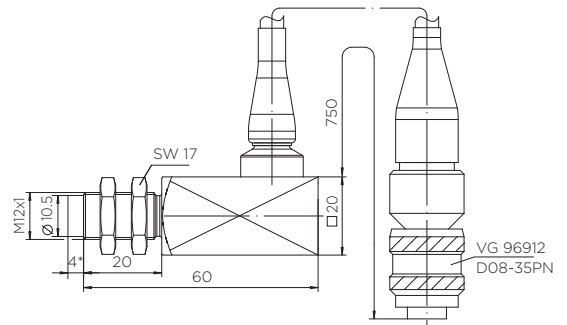


LK12.2035.2 Sn = 2mm (flush)



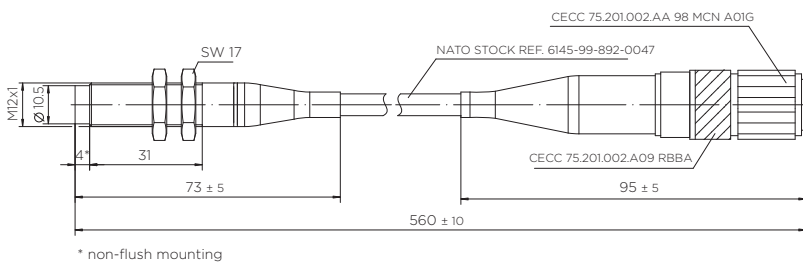
LK12.2036.4 Sn = 4mm (non-flush)

for example NPN-NO with 2 control inputs for service



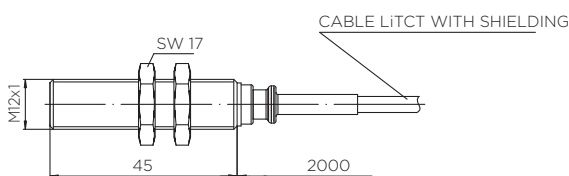
LA12.2120.4 Sn = 4mm - All parts are high quality sea water resistant material

for example PNP-NO with shielded cable



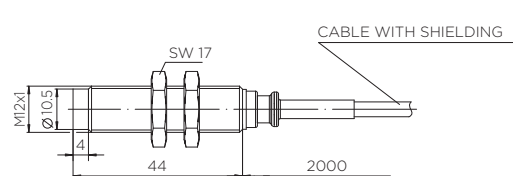
LK12.2148.2 Sn = 2mm (flush)

for example PNP-NO with ground



LK12.2148.4 Sn = 4mm

for example PNP-NO

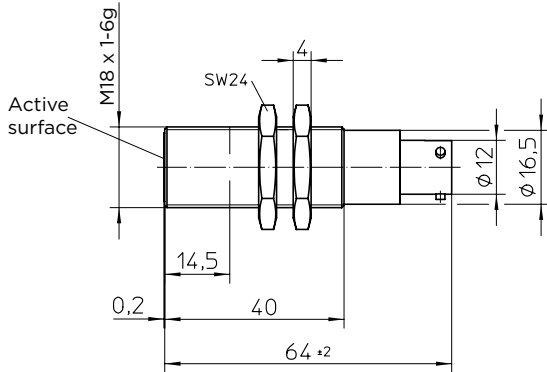


KISSLING INDUCTIVE PROXIMITY SWITCH

Military Series

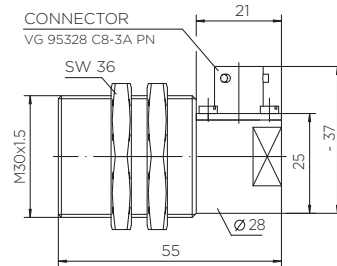
LK18-2180-5 Sn = 5mm (flush)

for example PNP-NC



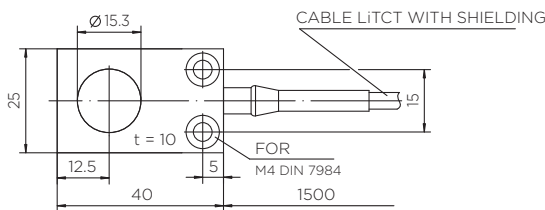
LK30.2150.8 Sn = 8mm (flush)

for example PNP-NO

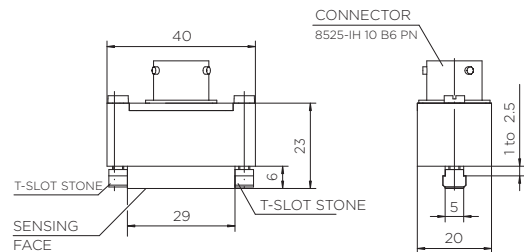


L410.2147.5 Sn = 5mm

for example PNP-NO

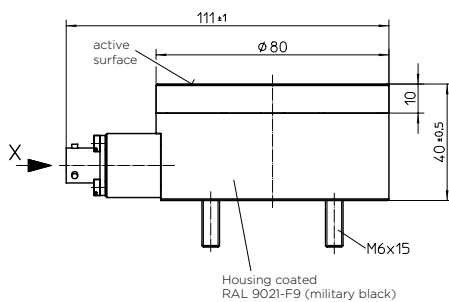


M515.2138 Magnetic field sensor for example NPN-NO



L-05-2173 Sn = 40mm

for example PNP-NO



te.com

TE Connectivity, TE, TE connectivity (logo) and KISSLING (word) are trademarks owned or licensed by the TE Connectivity family of companies. All other logos, products and/or company names referred to herein might be trademarks of their respective owners.

The information given herein, including drawings, illustrations and schematics which are intended for illustration purposes only, is believed to be reliable. However, TE Connectivity makes no warranties as to its accuracy or completeness and disclaims any liability in connection with its use. TE Connectivity's obligations shall only be as set forth in TE Connectivity's Standard Terms and Conditions of Sale for this product and in no case will TE Connectivity be liable for any incidental, indirect or consequential damages arising out of the sale, resale, use or misuse of the product. Users of TE Connectivity products should make their own evaluation to determine the suitability of each such product for the specific application.

© 2020 TE Connectivity | All Rights Reserved.

K1166752 | Version 11/2020