

IDCM Series

**Slim Line
DC Input Module**

File E29244

Users should thoroughly review the technical data before selecting a product part number. It is recommended that users also seek out the pertinent approvals files of the agencies/laboratories and review them to ensure the product meets the requirements for a given application.

Features

- Slim line .4" (10.16mm) thick package.
- Foot print same as .6" (15.24mm) thick package.
- 4000V rms optical isolation.
- Color coded by function.
- High immunity to false operation.
- Series compatible.
- Compatible with 2IOM series mounting boards.

Engineering Data

- Switch Form:** 1 Form A (SPST-NO)
- Duty:** Continuous.
- Operating Temperature:** -30°C to +80°C.
- Storage Temperature:** -30°C to 100°C.
- Potting Compound Flammability:** UL94V-0.
- Solderability:** 260°C for 5 seconds, maximum.
- Approximate Weight:** .87 oz. (22.1g).

Ordering Information

		Typical Part Number >	IDCM	-5	A
1. Basic Series: IDCM = Slim line DC input module — white case					
2. Logic Voltage: 5 = 5VDC 15 = 15VDC 24 = 24VDC					
3. Input: Blank = 3.3-32VDC input ** A = 10-60VDC input ** F = 4-32VDC input & fast turn-on & turn-off times **					

** Is not polarity sensitive.

Our authorized distributors are more likely to maintain the following items in stock for immediate delivery.

IDCM-5

Input Specifications

Parameter	Conditions	Units	IDCM-5			IDCM-5A			IDCM-5F		
			IDCM-15	IDCM-24		IDCM-15A	IDCM-24A		IDCM-15F	IDCM-24F	
			Min.	Typ.	Max.	Min.	Typ.	Max.	Min.	Typ.	Max.
Control Voltage Range V_{IN}		VDC	3	24	32	10	30	60	4	24	32
Must Operate Voltage $V_{IN(OP)}$		VDC			3			10			4
Must Release Voltage $V_{IN(REL)}$		VDC	1			1			1		
Max. Input Current	@ $V_{IN} = \text{Max.}$	mA	0.1 - 10			0.1 - 10			0.1 - 10		
Input Resistance		Ohms	Current Regulator								

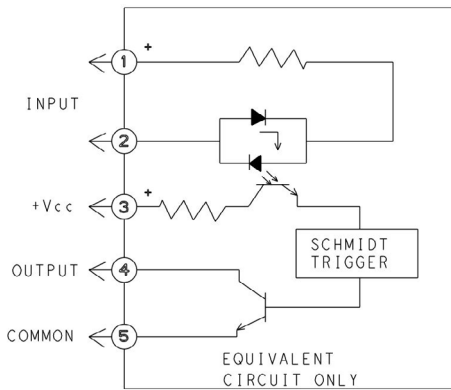
IDCM Series(Continued)

DC Input Modules

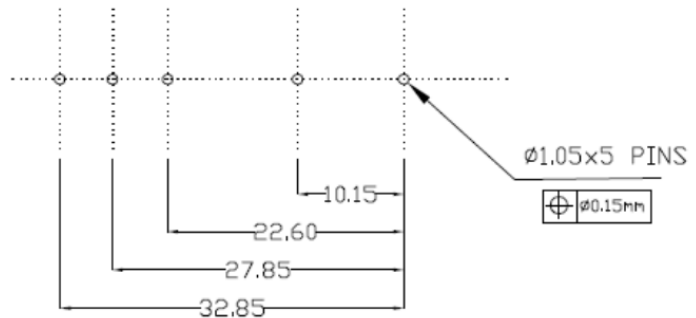
Output Specifications (@ +25°C unless otherwise specified)

Parameter	Conditions	Units	IDCM-5			IDCM-15			IDCM-24		
			IDCM-5A	IDCM-5F		IDCM-15A	IDCM-15F		IDCM-24A	IDCM-24F	
			Min.	Typ.	Max.	Min.	Typ.	Max.	Min.	Typ.	Max.
Maximum Output Voltage		VDC			30			30			30
Maximum Output Current I_{SINK}		mADC			50			50			50
Maximum Output Leakage Current	$V_{OUT}=Max.$	μ ADC			10			10			10
Maximum Output Voltage Drop	$I_{SINK}=50mA$	VDC			0.2			0.2			0.2
Logic Supply Voltage V_{CC}		VDC	3	5	6		15			24	
Maximum Logic Supply Current	$V_{CC}=Max.$	mADC			15		15			15	
Turn-On Time (Nominal)	$I_{SINK}=25mA$	ms		1			1			1	
Turn-Off Time (Nominal)	$I_{SINK}=25mA$	ms		1			1			1	
Output Type (Open Collector)			Normally Open (SINKING)			Normally Open (SINKING)			Normally Open (SINKING)		

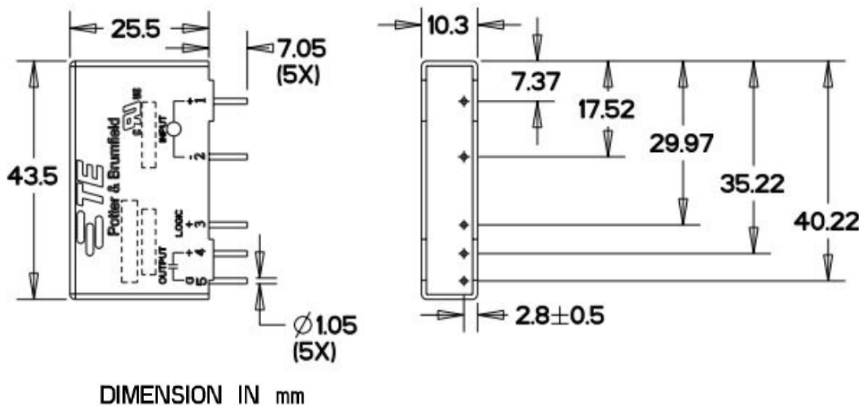
IDCM Operating Diagram



PCB Layout



Outline Dimensions



Product Code	Part Number
IDCM-5	2-1393028-0
IDCM-15	8-1393028-5
IDCM-24	9-1393028-7
IDCM-5A	9-1393028-9
IDCM-15A	9-1393028-5
IDCM-24A	8-1393028-6
IDCM-5F	2319263-1
IDCM-15F	9-1393028-6
IDCM-24F	9-1393028-8

To view Solid-State relay application notes click here