

MODEL 15 CURRENT TRANSFORMERS

KEY FEATURES

- Frequency 50-400 Hz
- Insulation level 600 Volts
10 kV BIL full wave
- Window diameter 0.94"
- Approximate weight
of 0.9 lbs
- Continues thermal current
rating factor 200A at
30° C amb, 120A at
55° C amb

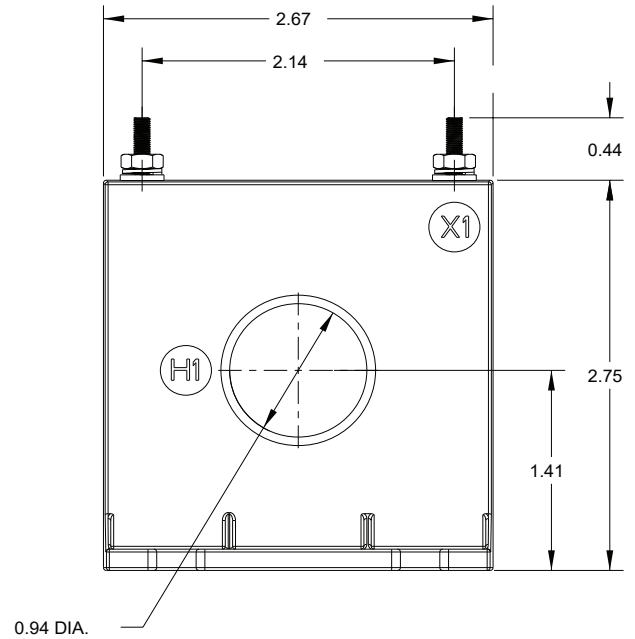
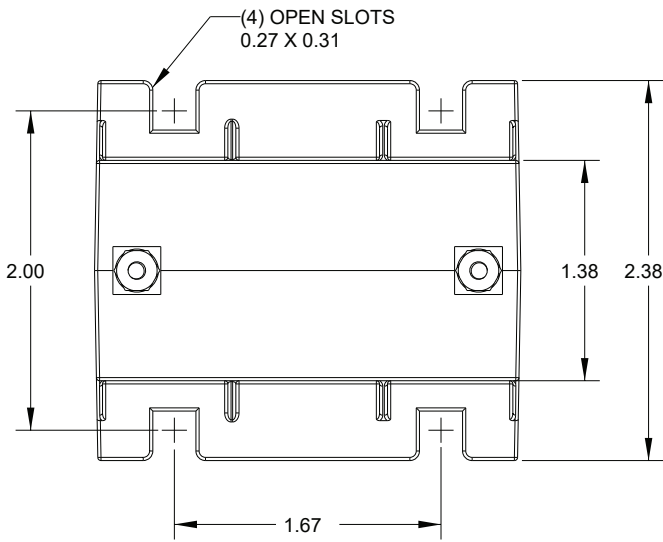
TE Connectivity's (TE) Crompton Instruments range of ANSI current transformers provide a cost-effective and accurate measurement of the primary current. The extensive portfolio measures a wide range of primary currents with apertures to suit most conductor sizes.

The Model 15 current transformer is available in foot mounting styles:

- SFT: Foot mounting with brass studs No 8-32 UNC with flat washer, lock washer and nut.
- SFL: Foot Mounting with Leads (24" long).

Customers can count on consistent, high quality products, driven by TE's proven innovation and backed by our extraordinary customer support.

Model 15 Current Transformer



MODEL 15 Window Diameter 0.94" Approximate Weight: 0.9 LBS

PRODUCT SELECTION INFORMATION

| Catalogue Number | Current Ratio | Accuracy at 60 Hz | Burden VA at 60 Hz |
|------------------|---------------|-------------------|--------------------|
| 15SFT-500 | 50.5 | ± 1.5% | 2.0 |
| 15SFT-600 | 60.5 | ± 1.5% | 2.0 |
| 15SFT-750 | 75.5 | ± 1.5% | 2.5 |
| 15SFT-800 | 80.5 | ± 1% | 2.0 |
| 15SFT-101 | 100.5 | ± 1% | 2.0 |
| 15SFT-121 | 120.5 | ± 1% | 3.0 |
| 15SFT-1250 | 125.5 | ± 1% | 4.0 |
| 15SFT-151 | 150.5 | ± 1% | 5.0 |
| 15SFT-1750 | 175.5 | ± 1% | 10.0 |
| 15SFT-201 | 200.5 | ± 1% | 12.5 |



te.com/energy

© 2020 TE Connectivity. All Rights Reserved. EPP-3608-DDS-10/20-EN

TE Connectivity, TE connectivity (logo), EVERY CONNECTION COUNTS, AMP, AMPACT, Axicom, Bowthorpe EMP, Crompton Instruments, Raychem, SIMEL, UTILUX are trademarks. Other logos, product and Company names mentioned herein may be trademarks of their respective owners. While TE has made every reasonable effort to ensure the accuracy of the information in this brochure, TE does not guarantee that it is error-free, nor does TE make any other representation, warranty or guarantee that the information is accurate, correct, reliable or current. TE reserves the right to make any adjustments to the information contained herein at any time without notice. TE expressly disclaims all implied warranties regarding the information contained herein, including, but not limited to, any implied warranties of merchantability or fitness for a particular purpose. The dimensions in this brochure are for reference purposes only and are subject to change without notice. Specifications are subject to change without notice. Consult TE for the latest dimensions and design specifications.

FOR MORE INFORMATION: TE Technical Support Centers

| | |
|----------------------|----------------------|
| USA/Canada: | +1 800-327-6996 |
| Brazil: | +55 11-2103-6023 |
| Mexico: | +52 55-1106-0800 |
| South America: | +57 1-319-8962 |
| Benelux: | +32 16-508-695 |
| France: | +33 (0) 38-058-3210 |
| Germany/Switzerland: | +49 (0) 89-608-9903 |
| Italy: | +39 335-834-3453 |
| Middle East/Africa: | +971 4-211-7020 |
| Russia: | +7 495-790-790-2-200 |
| Spain/Portugal: | +34 912-681-885 |
| UK: | +44 08708-707-500 |
| China: | +86 400-820-6015 |