

## DC AMMETER SHUNTS

### FH SERIES BUSBAR SHUNT

#### KEY FEATURES

- Current ratings 15-600 amps
- 50 mV, 100 mV or custom output
- $\pm 0.25\%$  manganin resistive element

TE Connectivity's (TE) Crompton Instruments FH range of lightweight shunts offers accurate millivolt conversion of primary DC system currents.

They can be used to drive indicators, to prevent overload and to control devices in the range of 15 - 600 amps DC. The FH range of shunts is available with and without a base. All applications should allow for ample ventilation.

The shunts are supplied with bolts, nuts and washers, but do not come with insulation. Extra measures may need to be taken to prevent accidental contact.

Shunts are supplied without insulation.

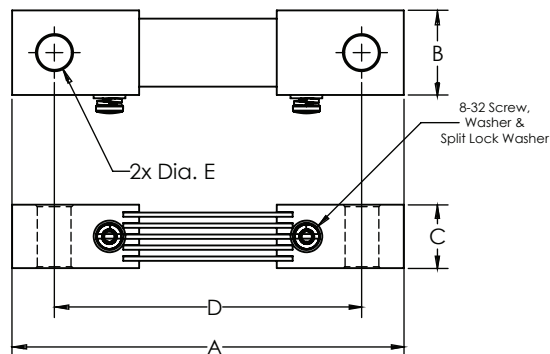
**Customers can count on consistent, high quality products, driven by TE's proven innovation and backed by our extraordinary customer support.**

## DC Ammeter Shunts – FH SERIES



### SPECIFICATION AND DIMENSIONS- 50 mV

Rated Current - Out (mV)	Rated Current (A)	Operating Current (A)	Resistance (mW)	Dimensions (mm)*				
				A	B	C	D	E
FH-15-50	15	10	3.333	104.78	15.88	9.53	84.14	8.73
FH-20-50	20	13.4	2.500	104.78	15.88	9.53	84.14	8.73
FH-50-50	50	33.4	1.000	104.78	15.88	9.53	84.14	8.73
FH-75-50	75	50	0.667	104.78	15.88	9.53	84.14	8.73
FH-100-50	100	66.7	0.500	104.78	19.05	9.53	84.14	8.73
FH-125-50	125	83.4	0.400	104.78	25.40	9.53	84.14	8.73
FH-150-50	150	100	0.333	104.78	25.40	9.53	84.14	8.73
FH-175-50	175	116.7	0.286	104.78	19.05	12.7	84.14	8.73
FH-200-50	200	133.4	0.250	104.78	25.40	12.7	84.14	8.73
FH-250-50	250	166.7	0.200	104.78	25.40	12.7	84.14	8.73
FH-300-50	300	200	0.167	104.78	31.75	12.7	84.14	8.73
FH-375-50	375	250	0.133	117.48	25.40	19.05	84.14	8.73
FH-400-50	400	266.7	0.125	117.48	25.40	19.05	92.08	10.32
FH-500-50	500	333.4	0.100	117.48	31.75	19.05	92.08	10.32
FH-600-50	600	400	0.083	117.48	38.10	19.05	92.08	10.32



### SPECIFICATION AND DIMENSIONS- 100 mV

Rated Current - Out (mV)	Rated Current (A)	Operating Current (A)	Resistance (mW)	Dimensions (mm)*				
				A	B	C	D	E
FH-50-100	50	33.4	2.00	146.05	15.88	9.53	125.41	8.73
FH-75-100	75	50	1.333	146.05	15.88	9.53	125.41	8.73
FH-100-100	100	66.7	1.00	146.05	19.05	9.53	125.41	8.73
FH-150-100	150	100	0.667	146.05	25.4	9.53	125.41	8.73
FH-200-100	200	133.4	0.500	146.05	25.4	12.7	125.41	8.73
FH-250-100	250	166.7	0.400	146.05	25.4	12.7	125.41	8.73
FH-300-100	300	200	0.333	146.05	31.75	12.7	125.41	8.73
FH-375-100	375	250	0.267	158.95	25.40	19.05	134.94	10.32
FH-400-100	400	266.7	0.250	158.95	25.40	19.05	134.94	10.32
FH-500-100	500	333.4	0.200	158.95	31.75	19.05	134.94	10.32
FH-600-100	600	400	0.167	158.95	38.10	19.05	134.94	10.32
FH-375-50	375	250	0.133	117.48	25.40	19.05	84.14	8.73
FH-400-50	400	266.7	0.125	117.48	25.40	19.05	92.08	10.32
FH-500-50	500	333.4	0.100	117.48	31.75	19.05	92.08	10.32
FH-600-50	600	400	0.083	117.48	38.10	19.05	92.08	10.32

### PRODUCT INFORMATION

Rated Output	50mV, 100mV, Custom
Voltage Tolerance	±0.25% Standard
Operating Temp	+30°C to +70°C
Storage Temp	-55°C to 80°C
Materials	Flame Resistant All Metal Construction Resistance Element: Manganin Terminal Block RSH: Brass

[te.com/energy](http://te.com/energy)

© 2020 TE Connectivity. All Rights Reserved. EPP-3550-DDS-7/20

TE Connectivity, TE connectivity (logo), EVERY CONNECTION COUNTS, AMP, AMPACT, Axicom, Bowthorpe EMP, Crompton Instruments, Raychem, SIMEL, UTILUX are trademarks. Other logos, product and Company names mentioned herein may be trademarks of their respective owners. While TE has made every reasonable effort to ensure the accuracy of the information in this brochure, TE does not guarantee that it is error-free, nor does TE make any other representation, warranty or guarantee that the information is accurate, correct, reliable or current. TE reserves the right to make any adjustments to the information contained herein at any time without notice. TE expressly disclaims all implied warranties regarding the information contained herein, including, but not limited to, any implied warranties of merchantability or fitness for a particular purpose. The dimensions in this brochure are for reference purposes only and are subject to change without notice. Specifications are subject to change without notice. Consult TE for the latest dimensions and design specifications.

### FOR MORE INFORMATION: TE Technical Support Centers

USA/Canada:	+1 800-327-6996
Brazil:	+55 11-2103-6023
Mexico:	+52 55-1106-0800
South America:	+57 1-319-8962
Benelux:	+32 16-508-695
France:	+33 (0) 38-058-3210
Germany/Switzerland:	+49 (0) 89-608-9903
Italy:	+39 335-834-3453
Middle East/Africa:	+971 4-211-7020
Russia:	+7 495-790-790-2-200
Spain/Portugal:	+34 912-681-885
UK:	+44 08708-707-500
China:	+86 400-820-6015