

SUSPENSION INSULATOR

HIGH CREEPAGE COMPOSITE SUSPENSION INSULATOR

KEY FEATURES

- 70kN tension rating (SML)
- Wide selection of metal end fittings selection
- Reliable tensile performance
- Light-weight for easier installation
- Shed design to minimize insulator length per kV rating
- Shock and vibration resistant
- Good tracking and erosion resistance performance
- Quality design and manufactured in accordance with ISO9001

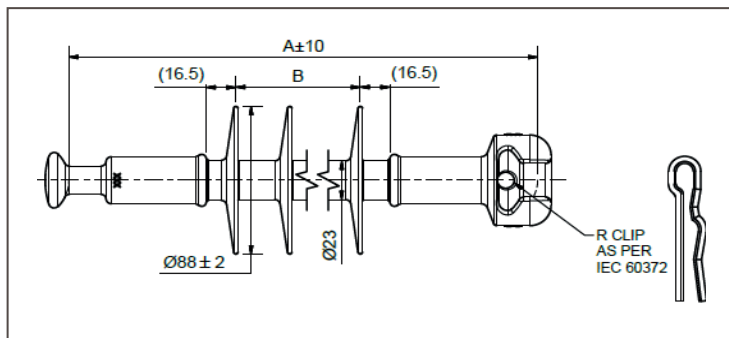
TE Connectivity (TE) offers a complete range of silicone suspension / tension insulators for overhead line applications up to 485 kV BIL.

Our complete portfolio of insulators is designed to fit a wide selection of metal end fittings. The portfolio includes numerous lengths and creepage configurations to fit the requirements of your application. TE's compact insulator profile has the same shed diameter to maximize flashover performance in polluted environments over a minimum insulator length.

Our suspension / tension insulators are made of silicone, a hydrophobic material with proven tracking and erosion resistance and high technical performance in a wide range of climatic and pollution conditions.

Customers can count on consistent, high quality products, driven by TE's proven innovation and backed by our extraordinary customer support.

Suspension Insulator



Top Fitting - Ball Fitting per IEC 120-16 (Forged)
Bottom Fitting - Socket Fitting per IEC 120-16A (Cast)
R Clip - SS 304 per IEC 60372
SML - 70 kN
Routine Test - 35 kN

Part description key

CS - Composite Suspension
XX - SML Top/Bottom End Fittings
XX - BIL (kV)
XXX - Creepage distance (mm)
XXXX - Mfg. Style
X - Special Code

PRODUCT SPECIFICATION

TCPN	DESCRIPTION	NOMINAL CREEPAGE (mm)	NOMINAL DRY ARC (mm)	DRY AC WITHSTAND (kV)	WET AC WITHSTAND (kV)	DRY AC FLASH-OVER (kV)	WET AC FLASH-OVER (kV)	LIGHTNING IMPULSE WITHSTAND (kV)	LIGHTNING IMPULSE FLASHOVER (kV)	A (mm)	B (mm)
EN9541-000	CS-70-BS-100-0265-M-01	265	125	60	45	75	60	100	115	252	60
EN9542-000	CS-70-BS-115-0355-M-01	355	155	70	55	86	70	115	130	282	90
EN9543-000	CS-70-BS-130-0445-M-01	445	185	85	65	95	80	130	145	312	120
EN9544-000	CS-70-BS-145-0535-M-01	535	215	90	70	105	85	145	160	342	150
EN9545-000	CS-70-BS-165-0625-M-01	625	245	100	80	115	100	165	175	372	180
EN9546-000	CS-70-BS-180-0715-M-01	715	275	115	90	125	105	180	195	402	210
EN9547-000	CS-70-BS-200-0805-M-01	805	305	125	100	135	115	200	210	432	240
EN9548-000	CS-70-BS-215-0895-M-01	895	335	135	110	145	125	215	225	462	270
EN9549-000	CS-70-BS-230-0985-M-01	985	365	145	120	155	135	230	240	492	300
EN9550-000	CS-70-BS-245-1075-M-01	1075	395	155	130	165	145	245	255	522	330
EN9551-000	CS-70-BS-260-1165-M-01	1165	425	165	140	175	155	260	275	552	360
EN9552-000	CS-70-BS-275-1255-M-01	1255	455	175	145	185	165	275	290	582	390
EN9553-000	CS-70-BS-290-1345-M-01	1345	485	185	155	195	175	290	305	612	420
EN9554-000	CS-70-BS-310-1435-M-01	1435	515	195	165	205	180	310	320	642	450
EN9555-000	CS-70-BS-325-1525-M-01	1525	545	205	175	215	190	325	335	672	480
EN9556-000	CS-70-BS-340-1615-M-01	1615	575	215	185	225	200	340	350	702	510
EN9557-000	CS-70-BS-355-1705-M-01	1705	605	225	195	235	210	355	365	732	540
EN9558-000	CS-70-BS-370-1795-M-01	1795	635	235	200	245	220	370	385	762	570
EN9559-000	CS-70-BS-390-1885-M-01	1885	665	245	210	255	230	390	400	792	600
EN9560-000	CS-70-BS-405-1975-M-01	1975	695	255	220	265	240	405	415	822	630
EN9561-000	CS-70-BS-420-2065-M-01	2065	725	265	230	275	250	420	430	852	660
EN9562-000	CS-70-BS-435-2155-M-01	2155	755	280	240	285	260	435	445	882	690
EN9563-000	CS-70-BS-450-2245-M-01	2245	785	290	250	295	270	450	460	912	720
EN9564-000	CS-70-BS-470-2335-M-01	2335	815	300	260	305	275	470	475	942	750
EN9565-000	CS-70-BS-485-2425-M-01	2425	845	310	265	315	285	485	490	972	780

FOR MORE INFORMATION: TE Technical Support Centers

USA: +1 800 327 6996
 France: +33 380 583 200
 UK: +44 0870 870 7500
 Germany: +49 896 089 903
 Spain: +34 916 630 400
 Italy: +39 333 250 0915
 Benelux: +32 16 351 731
 Canada: +1 (905) 475-6222
 Mexico: +52 (0) 55-1106-0800
 Latin/S. America: +54 (0) 11-4733-2200
 China: +86 (0) 400-820-6015

te.com/energy

©2020 TE Connectivity Ltd. All Rights Reserved. EPP-3466-DDS-1/2020

Raychem, TE Connectivity and TE Connectivity (logo) are trademarks. Other logos, product and/or company names might be trademarks of their respective owners. While TE has made every reasonable effort to ensure the accuracy of the information in this brochure, TE does not guarantee that it is error-free, nor does TE make any other representation, warranty or guarantee that the information is accurate, correct, reliable or current. TE reserves the right to make any adjustments to the information contained herein at any time without notice. TE expressly disclaims all implied warranties regarding the information contained herein, including, but not limited to, any implied warranties of merchantability or fitness for a particular purpose. The dimensions in this catalog are for reference purposes only and are subject to change without notice. Specifications are subject to change without notice. Consult TE for the latest dimensions and design specifications.