

# HV DRY FLEXIBLE TERMINATIONS (OHVT-145FS)

UPTO 145 kV

## KEY FEATURES

- Dry interface, solid insulating medium, no leakage risk
- Prefabricated and 100% factory tested
- No glueing needed
- No scaffolding cost, installation on ground
- Both vertical and horizontal installation possible
- Type tested according to IEC 60840
- Self-support to enhance mechanical performance
- Cost-effective solution
- Easy to install and maintenance free
- Termination ready for lifting after installation

TE Connectivity's (TE) Raychem High Voltage Dry Self-supporting Flexible Outdoor Termination (OHVT-FS) is designed for voltages up to 145 kV and to operate under severe environmental conditions. The OHVT-FS is designed such that it is compatible with polymeric insulated cables independent of the manufacturer and can be adapted with respect to grounding required for various cable constructions. The installation of the termination can be done by trained installers.

The cold applied termination is a single piece push on solution which requires no glueing. The push on silicone body is formulated for excellent tracking resistance and pollution resistance due to its hydrophobic body. It is free from any insulating fluids, gases or gel and therefore, there is no risk of leakage. The termination is designed according to IEC 60840. The cable lug is available in shearbolt version. It is suitable for all common conductors made of aluminum or copper.

The termination comes with a support insulator to enhance its mechanical performance. All the metal fittings are made out corrosion-resistant alloy.

**Customers can count on consistent, high quality products, driven by TE's proven innovation and backed by our extraordinary customer support.**

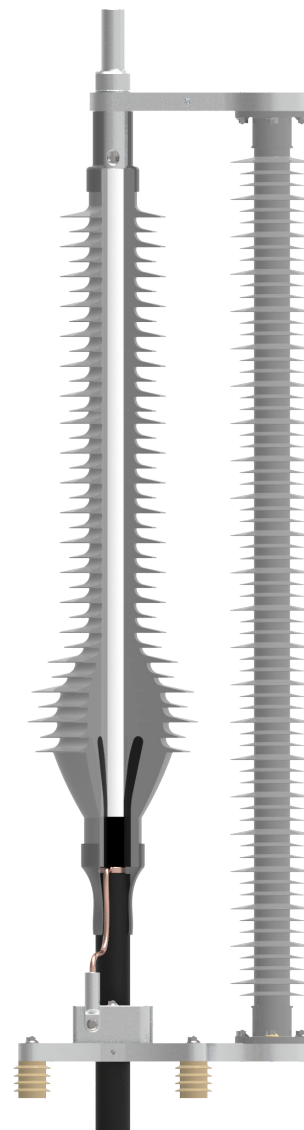
## HV Dry Flexible Terminations (OHVT-145FS)



MECHANICAL DATA	
Length	2334 mm
Outer diameter	366 mm
Cantilever force	5000 N
Max. permissible radial pull at connection bolt	2000 N
Max. Inclination angle	90°
Diameter of connection bolt	30/40/50 mm
Length of connection bolt	100/130 mm
Weight approx.	85 kg
Packing information	2050 × 750 × 500

DESIGN DATA	
Diameter over insulation	≤ 78 mm
Diameter over sheath	≤ 100 mm
Max. Cross section (Cu / Al)	Approx. 1200 mm <sup>2</sup>
Creepage distance	4590 mm
Flashover distance	1430 mm
Material of connection bolt	Aluminum / Copper
Material of step relief cone	Silicone rubber
Profile of insulator	Sheds
Colour of insulator	Grey
Method of stress control	Geometric
Stress cone	Pre-fabricated silicone rubber
Max. permissible dielectric stress	4 kV/mm (at insulation screen of cable)
Material of fittings	Aluminum
Clearance between terminations	As per IEC 60071-1
Installation temperature	0°C - +40°C
Operation temperature	-55°C - +55°C
Storage temperature	0°C - +40°C

ELECTRICAL TYPE TEST IEC 60840	
Heating cycle voltage	152 kV
Partial discharge at ambient and elevated temperatures	114 kV
Lightning impulse voltage 1.2μs/50μs	650 kV
ELECTRICAL TYPE TEST IEC 60840 ANNEX H	
AC withstand test screen to ground	25 kV
DC withstand test screen to ground	25 kV
Lightning impulse test screen to ground	37.5 kV
ELECTRICAL ROUTINE TEST IEC 60840	
AC withstand voltage	190 kV
Partial discharge test	114 kV



[te.com/energy](http://te.com/energy)

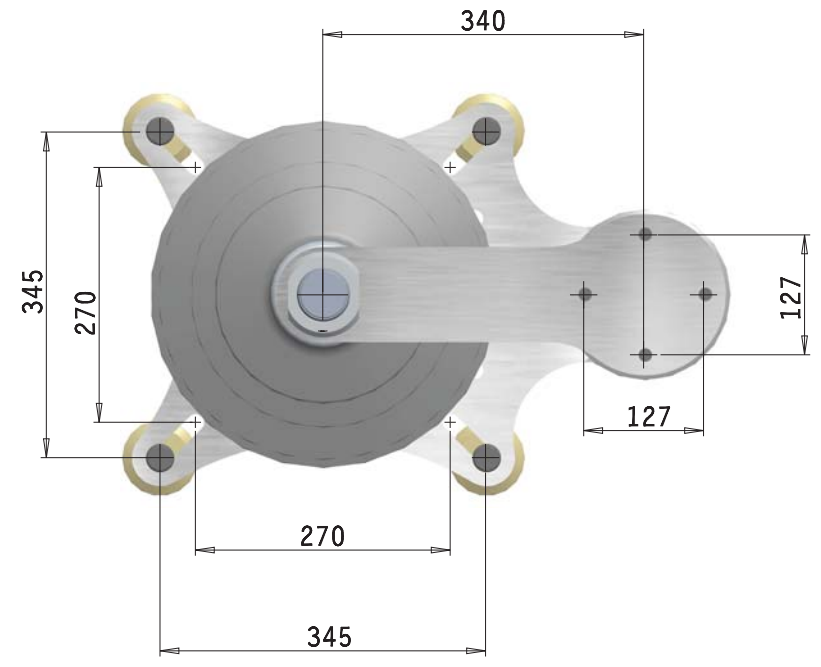
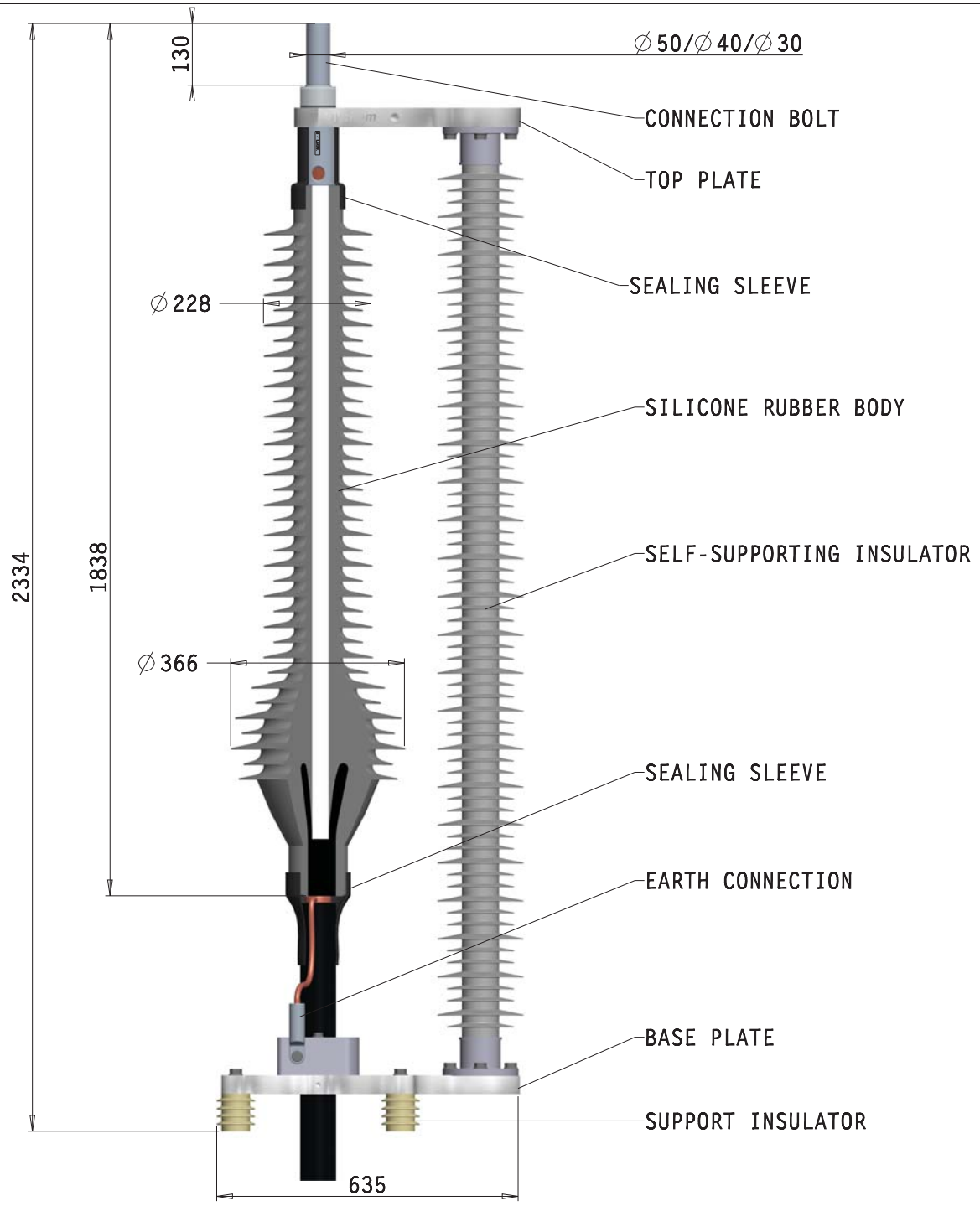
© 2019 TE Connectivity. All Rights Reserved. EPP-3440-DDS-12/19-OHVT-145FS-TE

Raychem, TE Connectivity and TE connectivity (logo) are trademarks. Other logos, product and/or company names might be trademarks of their respective owners. While TE has made every reasonable effort to ensure the accuracy of the information in this brochure, TE does not guarantee that it is error-free, nor does TE make any other representation, warranty or guarantee that the information is accurate, correct, reliable or current. TE reserves the right to make any adjustments to the information contained herein at any time without notice. TE expressly disclaims all implied warranties regarding the information contained herein, including, but not limited to, any implied warranties of merchantability or fitness for a particular purpose. The dimensions in this catalog are for reference purposes only and are subject to change without notice. Specifications are subject to change without notice. Consult TE for the latest dimensions and design specifications.

### FOR MORE INFORMATION: TE Technical Support Centers

USA:	+ 1 800 327 6996
Canada:	+ 1 (905) 475-6222
Mexico:	+ 52 (0) 55-1106-0800
Latin/S. America:	+ 54 (0) 11-4733-2200
France:	+ 33 380 583 200
UK:	+ 44 0870 870 7500
Germany:	+ 49 896 089 903
Spain:	+ 34 916 630 400
Italy:	+ 39 333 250 0915
Benelux:	+ 32 16 508 695
Russia:	+ 7 495-790 790 2-200
China:	+ 86 (0) 400-820-6015

While TE Connectivity®(TE) has made every reasonable effort to ensure the accuracy of the information in the catalog, TE does not guarantee that it is error free, nor does TE make any other representation, warranty or implied warranties regarding the information contained herein, including, but not limited to, any implied warranties or merchantability or fitness for a particular purpose. The dimensions in this catalog are for reference purpose only and are subject to change without notice. Specifications are subject to change without notice. Consult TE for the latest dimensions and design specifications.



OUTDOOR-TERMINATION  
 145 kV  
 COMPOSITE-INSULATOR  
 FOR POLYMERIC-CABLE

OHVT-145FS  
 Offer drawing

**TE**  
 connectivity

Raychem High Voltage Cable Accessories

TE Connectivity drawing no:  
 EPD-204-2243-00

REV.  
 1