



MEDIUM VOLTAGE BIRD PROTECTION CAP FOR OVERHEAD LINES (BCIC-3313)

KEY FEATURES

- UV and weather resistant material
- Versatile design to fit a wide range of post insulators
- Installation on centre and side tie orientations
- REACH and RoHS Compliant

TE Connectivity's (TE) Raychem bird protection cap was developed to protect birds and other animals against dangerous proximity to live conductors or the tops of insulators mounted on concrete or metal poles.

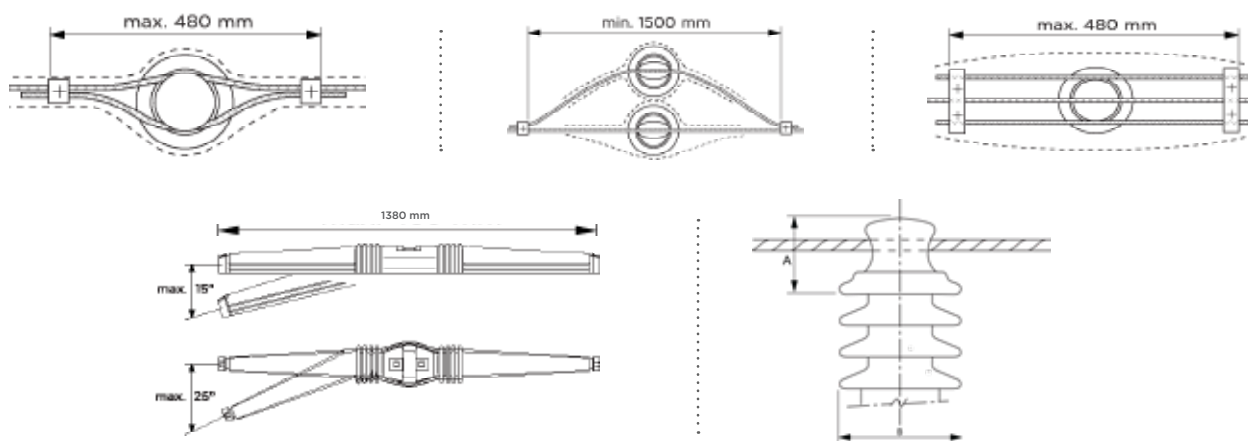
The universal design allows the installation of the Birdcap on all common insulators up to 24 kV. The Birdcap is made from a flexible polymer, which has an especially high UV stability, track and weather resistance.

The material used has given exceptional performance in many similar applications. The Birdcap was designed in accordance with the requirements for bird protection given in DIN VDE 0210/12.85 paragraph 8.10.

The Birdcap's flexible material allows it to conform to bent conductors, for example arrangements with two insulators (double security).

Customers can count on consistent, high quality products, driven by TE's proven innovation and backed by our extraordinary customer support.

Medium Voltage Bird Protection Cap (BCIC-3313)



PRODUCT PERFORMANCE

Properties	Test Method	Requirement
Tensile Strength	ISO 37, DIN 53455	10 MPa
Ultimate Elongation	ISO 37, DIN 53455	300 %
UV Weathering Resistance (5000 hours)	ASTM G154	5MPa min; 725 psi min 200% min
Accelerated Ageing (168hrs at 150°C)	ASTM D2671	10MPa min; 1450 psi min 300% min
Tracking and Erosion	ASTM D2303	No tracking, erosion to top surface or flame. Stop Voltage Method Failure after 1 hr. at 2.5 kV 1 hr. at 2.75 kV 1 hr. at 3.0 kV 1 hr. at 3.25 kV 1 hr. at 3.5 kV
Low Temperature Flexibility	ASTM D 2671 Procedure C	No cracking after 4 hrs at -40 °C
Thermal endurance	IEC 216, DIN 53446	105 °C min.
Flammability	ANSI C37.20/IEEE-27	No flame conveyance (60 sec. max.)
Resistance to bird guano	Uric acid for 168 hrs at 60°C	No change in tensile strength or ultimate elongation
Temperature cycling from	-30 °C to +60 °C 2 cycles per day	After 50 cycles, no change in components/system
Wind tunnel test	Up to 135 km/h windspeed	No permanent deformation of the installed system
Flashover test	Phase to earth 24 kV Ix= 5kA for 0.60 sec.	No rupture of the conductor No bursting of the insulator No burning of the cap
Electrical		
Dielectric Strength	IEC 243, ASTM D 149	130 kV/cm min (2.5 mm)
Leakage current	In 0.8 % salt fog at 15 kV	< 2 mA
AC voltage withstand	Phase to earth 24 kV, 1 min.	Passed

PRODUCT SELECTION

Description	Dimensions Insulator (mm)		Cap Bending Angles		Protection Length L (mm)
	A Min.	B Min.	Vertical Max.	Horizontal Max.	
BCIC-3313	60	160	15°	25°	1380

FOR MORE INFORMATION:

TE Technical Support Centers

USA:	+ 1 800 327 6996
Canada:	+ 1 (905) 475-6222
Mexico:	+ 52 (0) 55-1106-0800
Latin/S. America:	+ 54 (0) 11-4733-2200
France:	+ 33 380 583 200
UK:	+ 44 0870 870 7500
Germany:	+ 49 896 089 903
Spain:	+ 34 916 630 400
Italy:	+ 39 333 250 0915
Benelux:	+ 32 16 508 695
Russia:	+ 7 495-790 790 2-200
China:	+ 86 (0) 400-820-6015

te.com/energy

© 2019 TE Connectivity. All Rights Reserved. EPP-3226-DDS-4/19-BCIC-3313_EN

Raychem, TE Connectivity and the TE connectivity (logo) are trademarks of the TE Connectivity Ltd. family of companies. Other logos, product and Company names mentioned herein may be trademarks of their respective owners. While TE has made every reasonable effort to ensure the accuracy of the information in this brochure, TE does not guarantee that it is error-free, nor does TE make any other representation, warranty or guarantee that the information is accurate, correct, reliable or current. TE reserves the right to make any adjustments to the information contained herein at any time without notice. TE expressly disclaims all implied warranties regarding the information contained herein, including, but not limited to, any implied warranties of merchantability or fitness for a particular purpose. The dimensions in this brochure are for reference purposes only and are subject to change without notice. Specifications are subject to change without notice. Consult TE for the latest dimensions and design specifications.