

COPPER COMPRESSION TERMINAL LUGS

(CSA dies)



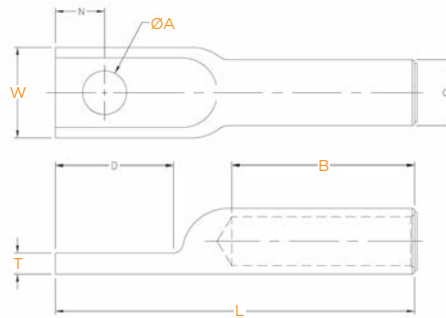
TE Connectivity's (TE) compression lug terminal connectors are ideal for secondary distribution and overhead applications up to 35 kV. Copper compression connectors are available to accommodate a range of cable sizes from #6 AWG solid to 3000 kcmil copper. Use for terminating solid, compact, compressed and concentric stranded class B conductors. Compression of the terminal barrel creates a highly reliable connection that enables connector to perform well and at a lower temperature than the conductor during operation.

Connectors meet the requirement of ANSI C119.4, class A electrical and class 3 mechanical.

Key Features

- High conductivity ETP copper alloy
- Heavy wall design
- 1, 2 and 4 holes pad available
- Seamless design on single and double hole terminals
- Scribe line on connector body to identify the cable strip length and the start crimp line
- Tin plated/non plated versions available
- Easy to install using industry standard tools with CSA dies
- Conductor and die sizes marked on each terminal
- Barrel length allows for multiple crimps

Copper Compression Terminal Lugs (CSA dies)

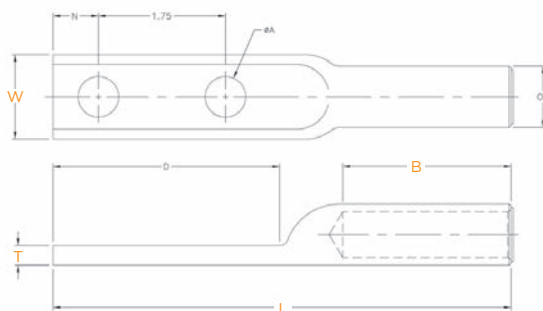


Selection information: dimensions in millimeters (in)

Copper Lug 1 Hole									
Catalog Number	Part Number	Conductor	Tin Plated	Dimensions					DIE index
				W	T	B	L	A	
CKLL2NTN	6-1199018-6	#2 AWG CU	Yes	25.9 (1.02)	6.9 (0.27)	35.1 (1.38)	85.8 (3.38)	14.2 (0.56)	CSA 22 CU
CKLL4N	1098099-1	#4 AWG CU	No	25.9 (1.02)	6.9 (0.27)	35.1 (1.38)	85.8 (3.38)	14.2 (0.56)	CSA 22 CU
CKLL4NTNL1	1099978-1	#4 AWG CU	Yes	25.9 (1.02)	6.9 (0.27)	35.1 (1.38)	85.8 (3.38)	14.2 (0.56)	CSA 22 CU
CKLL4NTN-3/8	1099978-2	#4 AWG CU	Yes	25.9 (1.02)	6.9 (0.27)	35.1 (1.38)	85.8 (3.38)	11.1 (0.44)	CSA 22 CU
CKLL4NTN	9-1199020-3	#4 AWG CU	Yes	25.9 (1.02)	6.9 (0.27)	35.1 (1.38)	85.8 (3.38)	14.2 (0.56)	CSA 22 CU
CKLL1NTN	9-1199476-4	#1 AWG CU	Yes	25.9 (1.02)	5.6 (0.22)	50.0 (1.97)	100.8 (3.97)	14.2 (0.56)	CSA 22 CU
CKLL10NTN	7-1199020-4	1/0 AWG CU	Yes	25.9 (1.02)	5.6 (0.22)	50.0 (1.97)	100.8 (3.97)	14.2 (0.56)	CSA 22 CU
CKLL10NTN-3/8	1099810-1	1/0 AWG CU	Yes	25.9 (1.02)	5.6 (0.22)	50.0 (1.97)	100.8 (3.97)	11.1 (0.44)	CSA 22 CU
CKLL10X2TN	9-1199154-9	1/0 AWG CU	Yes	25.9 (1.02)	5.6 (0.22)	50.0 (1.97)	98.5 (3.88)	15.9 (0.62)	CSA 22 CU
CKL20NTN	1099651-1	2/0 AWG CU	Yes	23.4 (0.92)	5.1 (0.2)	31.7 (1.25)	85.6 (3.37)	14.2 (0.56)	CSA 22 CU
CKLL20NTN	7-1199020-3	2/0 AWG CU	Yes	23.9 (0.94)	4.8 (0.19)	50.0 (1.97)	104.1 (4.1)	14.2 (0.56)	CSA 22 CU
CKLL20NTN-3/8	1099811-1	2/0 AWG CU	Yes	25.9 (1.02)	5.6 (0.22)	50.0 (1.97)	104.1 (4.1)	11.1 (0.44)	CSA 22 CU
CKL30NTN	1099652-1	3/0 AWG CU	Yes	24.9 (0.98)	4.1 (0.16)	31.7 (1.25)	85.6 (3.37)	14.2 (0.56)	CSA 22 CU
CKLL30NTN	1-1199021-2	3/0 AWG CU	Yes	24.9 (0.98)	4.1 (0.16)	50.0 (1.97)	104.1 (4.1)	14.2 (0.56)	CSA 22 CU
CKLL30NTN-3/8	9-1199485-7	3/0 AWG CU	Yes	24.9 (0.98)	4.1 (0.16)	50.0 (1.97)	104.1 (4.1)	11.1 (0.44)	CSA 22 CU
CKL40NTN	4-1199625-1	4/0 AWG CU	Yes	29.5 (1.16)	6.3 (0.25)	31.7 (1.25)	72.9 (2.87)	14.2 (0.56)	CSA 24 CU
CKLL40NTN	9-1199155-4	4/0 AWG CU	Yes	29.5 (1.16)	6.9 (0.27)	59.9 (2.36)	115.8 (4.56)	14.2 (0.56)	CSA 24 CU
CKLL40NTN-3/8	4-1199486-4	4/0 AWG CU	Yes	29.5 (1.16)	6.9 (0.27)	59.9 (2.36)	116.8 (4.6)	11.1 (0.44)	CSA 24 CU
CKLO25NTN	1710660-1	250 Kcmil CU	Yes	28.9 (1.14)	6.9 (0.27)	31.7 (1.25)	92.2 (3.63)	14.2 (0.56)	CSA 24 CU
CKLL025NTN	1099620-1	250 Kcmil CU	Yes	28.9 (1.14)	6.9 (0.27)	59.9 (2.36)	118.97 (4.68)	14.2 (0.56)	CSA 24 CU
CKLL025NTN-3/8	2-1199485-2	250 Kcmil CU	Yes	28.9 (1.14)	6.9 (0.27)	59.9 (2.36)	118.97 (4.68)	11.1 (0.44)	CSA 24 CU
CKLL030NTN-3/8	9-1199540-6	300 Kcmil CU	Yes	37.3 (1.47)	7.9 (0.31)	59.9 (2.36)	123.2 (4.85)	11.1 (0.44)	CSA 26 CU
CKLO35NTN	1099530-1	350 Kcmil CU	Yes	37.3 (1.47)	7.9 (0.31)	31.7 (1.25)	90.4 (3.56)	14.2 (0.56)	CSA 26 CU
CKLL035NTN	1099950-2	350 Kcmil CU	Yes	37.3 (1.47)	7.9 (0.31)	59.9 (2.36)	119.1 (4.69)	14.2 (0.56)	CSA 26 CU
CKLL035NTN-3/8	1099950-1	350 Kcmil CU	Yes	37.3 (1.47)	7.9 (0.31)	59.9 (2.36)	119.1 (4.69)	11.1 (0.44)	CSA 26 CU
CKLL050NTN	1099894-1	500 Kcmil CU	Yes	41.1 (1.62)	10.4 (0.41)	59.9 (2.36)	127.0 (5.00)	14.2 (0.56)	CSA 28 CU
CKLL050NTN-3/8	4-1199485-3	500 Kcmil CU	Yes	41.1 (1.62)	10.4 (0.41)	59.9 (2.36)	127.0 (5.00)	11.1 (0.44)	CSA 28 CU
CKLL050NTN-5/8	2182629-1	500 Kcmil CU	Yes	41.1 (1.62)	10.4 (0.41)	59.9 (2.36)	127.0 (5.00)	15.9 (0.62)	CSA 28 CU
CKLL060NTN	1099655-1	600 Kcmil CU	Yes	41.1 (1.62)	10.4 (0.41)	74.9 (2.95)	138.9 (5.47)	14.2 (0.56)	CSA 28 CU
CKLL075NTN	1099654-1	750 Kcmil CU	Yes	43.9 (1.73)	11.2 (0.44)	74.9 (2.95)	142.7 (5.62)	14.2 (0.56)	CSA 30 CU

For tin-plating connector there is a TN suffix to the connector description.
3/8 inch studs hole available: suffix -3/8.

Copper Compression Terminal Lugs (CSA dies)

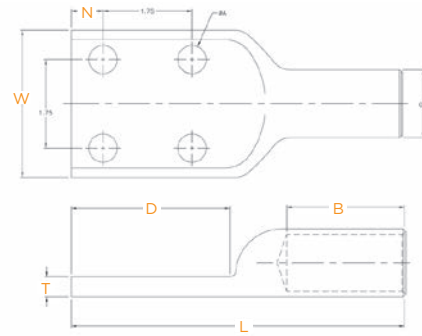


Selection information: dimensions in millimeters (in)

Copper Lug 2 Hole									
Catalog Number	Part Number	Conductor	Tin Plated	Dimensions				DIE index	
				W	T	B	L		
CKL62NTN	1-1200354-3	#6 AWG CU	Yes	25.9 (1.02)	5.3 (0.21)	31.7 (1.25)	127.0 (5.00)	CSA 22 CU	
CKL22NTN	2-1200014-9	#2 AWG CU	Yes	22.9 (0.9)	6.1 (0.24)	31.7 (1.25)	127.0 (5.00)	CSA 22 CU	
CKLL22NTN	2-1199648-4	#2 AWG CU	Yes	25.9 (1.02)	6.9 (0.27)	35.0 (1.38)	130.3 (5.13)	CSA 22 CU	
CKLE22NTN	1099640-1	#2 AWG CU Extra Flex	Yes	21.8 (0.86)	6.9 (0.27)	66.5 (2.62)	165.1 (6.5)	CSA 22 CU	
CKL102NTN	9-1199647-2	1/0 AWG CU	Yes	24.9 (0.98)	5.6 (0.22)	31.7 (1.25)	127.0 (5.00)	CSA 22 CU	
CKLL102NTN	1-1199156-4	1/0 AWG CU	Yes	24.9 (0.98)	5.6 (0.22)	31.7 (1.25)	127.0 (5.00)	CSA 22 CU	
CKLL102NS	4-1199190-2	1/0 AWG CU	Yes	22.9 (0.9)	6.6 (0.26)	50.0 (1.97)	160.0 (6.3)	CSA 22 CU	
CKLL102NSTN	1099647-1	1/0 AWG CU	Yes	25.9 (1.02)	5.6 (0.22)	51.5 (2.03)	159.5 (6.28)	CSA 22 CU	
CKLL202NTN	1199156-2	2/0 AWG CU	Yes	22.9 (0.9)	5.6 (0.22)	50.0 (1.97)	147.3 (5.8)	CSA 22 CU	
CKLE202NTN	1099994-1	2/0 AWG CU Extra Flex	Yes	29.5 (1.16)	8.1 (0.32)	90.2 (3.55)	190.5 (7.5)	CSA 22 CU	
CKLL302NTN	4-1199020-7	3/0 AWG CU	Yes	24.9 (0.98)	4.6 (0.18)	50.0 (1.97)	148.3 (5.84)	CSA 22 CU	
CKL402NTN	1-1199647-2	4/0 AWG CU	Yes	29.5 (1.16)	6.9 (0.27)	31.7 (1.25)	131.8 (5.19)	CSA 24 CU	
CKLL402NTN	1-1199020-7	4/0 AWG CU	Yes	29.5 (1.16)	6.9 (0.27)	59.9 (2.36)	160.3 (6.31)	CSA 24 CU	
CKLE402NTN	1-1199543-4	4/0 AWG CU Extra Flex	Yes	36.3 (1.43)	9.9 (0.39)	90.2 (3.55)	193.5 (7.62)	CSA 24 CU	
CKLO252NTN	1199647-1	250 Kcmil CU	Yes	28.9 (1.14)	6.1 (0.24)	31.7 (1.25)	135.1 (5.32)	CSA 24 CU	
CKLLO252NTN	9-1199190-3	250 Kcmil CU	Yes	28.9 (1.14)	6.9(0.27)	59.9 (2.36)	165.0 (6.38)	CSA 24 CU	
CKLLO252NS	9-1199189-1	250 Kcmil CU	No	29.2 (1.15)	6.3 (0.25)	59.9 (2.36)	179.1 (7.05)	CSA 24 CU	
CKLO302NTN	1099637-1	300 Kcmil CU	Yes	37.3 (1.47)	7.9 (0.31)	31.7 (1.25)	134.9 (5.31)	CSA 26 CU	
CKLLO302NTN	8-1199019-6	300 Kcmil CU	Yes	37.3 (1.47)	7.9 (0.31)	59.9 (2.36)	163.6 (6.44)	CSA 26 CU	
CKLO352NTN	1199648-6	350 Kcmil CU	Yes	37.3 (1.47)	7.9 (0.31)	31.7 (1.25)	134.9 (5.31)	CSA 26 CU	
CKLLO352NTN	6-1199020-9	350 Kcmil CU	Yes	36.6 (1.44)	7.9 (0.31)	59.9 (2.36)	162.6 (6.4)	CSA 26 CU	
CKLE0352NTN	5-1199019-8	350 Kcmil CU Extra Flex	Yes	39.6 (1.56)	7.1 (0.28)	107.9 (4.25)	212.6 (8.37)	CSA 26 CU	
CKLLO402NTN	2182040-1	400 Kcmil CU	Yes	38.1 (1.5)	6.9 (0.27)	59.9 (2.36)	165.1 (6.5)	CSA 26 CU	
CKLLO502NTN	8-1199019-4	500 Kcmil CU	Yes	43.28 (1.7)	10.4 (0.41)	59.9 (2.36)	167.6 (6.6)	CSA 28 CU	
CKLLO502NSTN	6-1200342-7	500 Kcmil CU	Yes	43.28 (1.7)	10.4 (0.41)	59.9 (2.36)	187.9 (7.4)	CSA 28 CU	
CKLE0502N90	4-1199647-7	500 Kcmil CU Extra Flex	No	73.1 (2.88)	6.3 (0.25)	110.7 (4.36)	174.7 (6.88)	CSA 28 CU	
CKLE0502NTN	6-1199019-9	500 Kcmil CU Extra Flex	Yes	50.8 (2)	7.6 (0.3)	107.9 (4.25)	215.9 (8.5)	CSA 28 CU	
CKLLO602NTN	7-1199154-5	600 Kcmil CU	Yes	43.4 (1.71)	10.4 (0.41)	74.9 (2.95)	182.9 (7.22)	CSA 28 CU	
CKLLO752NS	1099954-1	750 Kcmil CU	No	53.8 (2.12)	11.2 (0.44)	74.9 (2.95)	187.4 (7.38)	CSA 30 CU	
CKLLO752NSTN	1099954-2	750 Kcmil CU	Yes	53.8 (2.12)	11.2 (0.44)	74.9 (2.95)	187.4 (7.38)	CSA 30 CU	
CKLLO752NTN	7-1199018-1	750 Kcmil CU	Yes	53.8 (2.12)	11.2 (0.44)	74.9 (2.95)	187.4 (7.38)	CSA 30 CU	
CKLL1002NTN	4-1199020-5	1000 Kcmil CU	Yes	63.5 (2.5)	16.8 (0.66)	74.9 (2.95)	190.5 (7.5)	CSA 34 CU	
CKLL100C2NTN	1199191-6	1000 Kcmil CU	Yes	61.9 (2.44)	18.3 (0.72)	74.9 (2.95)	190.5 (7.5)	CSA 34 CU	
CKLE1002NTN	1443513-1	1000 Kcmil CU Extra Flex	Yes	60.9 (2.4)	9.9 (0.39)	120.6 (4.75)	238.0 (9.37)	CSA 34 CU	
CKLL1252NTN	1099822-1	1250 Kcmil CU	Yes	63.5 (2.5)	16.8 (0.66)	74.9 (2.95)	190.5 (7.5)	CSA 34 CU	

All CKLE connectors accommodate class B conductor unless excepted Extra Flexible.

Copper Compression Terminal Lugs (CSA dies)



Selection information: dimensions in millimeters (in)

Copper Lug 2 Hole										
Catalog Number	Part Number	Conductor	Tin Plated	Dimensions						DIE index
				W	T	N	D	B	L	
CKLF0354NTN	1710898-1	350 Kcmil CU	Yes	76.2 (3)	9.65 (0.38)	15.75 (0.62)	76.2 (3)	63.5 (2.5)	173.2 (6.82)	CSA 26 CU
CKLF0504NTN	1199019-3	500 Kcmil CU	Yes	76.2 (3)	9.65 (0.38)	15.75 (0.62)	76.2 (3)	67.0 (2.64)	177.8 (7)	CSA 28 CU
CKLF0754NTN	1099803-1	750 Kcmil CU	Yes	88.9 (3.5)	14.22 (0.56)	22.1 (0.87)	88.9 (3.5)	79.2 (3.12)	226.1 (8.9)	CSA 30 CU
CKLF100-4N	1099645-1	1000 Kcmil CU	No	88.9 (3.5)	14.22 (0.56)	22.1 (0.87)	88.9 (3.5)	79.2 (3.12)	219.5 (8.64)	CSA 34 CU
CKLF100-4NTN	1099645-2	1000 Kcmil CU	Yes	88.9 (3.5)	14.22 (0.56)	22.1 (0.87)	88.9 (3.5)	79.2 (3.12)	219.5 (8.64)	CSA 34 CU
CKLF100K-4NTN	1099645-3	1000 Kcmil CU	Yes	88.9 (3.5)	14.22 (0.56)	22.1 (0.87)	88.9 (3.5)	79.2 (3.12)	219.5 (8.64)	CSA 34 CU
CKLF1504NTN	1099790-1	1500 Kcmil CU	Yes	88.9 (3.5)	14.22 (0.56)	22.1 (0.87)	88.9 (3.5)	86.4 (3.4)	231.1 (9.1)	CSA 34 CU
CKLF200C4N	1099965-1	2000 MCM CMPT CU	No	88.9 (3.5)	14.22 (0.56)	22.1 (0.87)	88.9 (3.5)	99. (3.9)	243.8 (9.6)	CSA 36 CU
CKLF2004NTN	1099707-2	2000 Kcmil CU	Yes	88.9 (3.5)	14.22 (0.56)	22.1 (0.87)	88.9 (3.5)	96.5 (3.8)	243.8 (9.6)	CSA 36 CU
CKLF2504NTN	1099840-1	2500 Kcmil CU	Yes	88.9 (3.5)	15.75 (0.62)	22.35 (0.88)	88.9 (3.5)	101.6 (4)	259.1 (10.2)	2 3/4 HEX*
CKLF250C4N	1099840-3	2500 Kcmil CU	No	88.9 (3.5)	15.75 (0.62)	22.35 (0.88)	88.9 (3.5)	101.6 (4)	259.1 (10.2)	2 3/4 HEX*
CKLF300C4NTN	1710899-1	3000 Kcmil CMPT CU	Yes	88.9 (3.5)	9.65 (0.38)	22.35 (0.88)	88.9 (3.5)	107.9 (4.25)	250.9 (9.88)	2 3/4 HEX*

* = Non CSA Dies, regular hexagonal dies

TE Connectivity Ltd. is a \$13 billion global technology and manufacturing leader creating a safer, sustainable, productive, and connected future. For more than 75 years, our connectivity and sensor solutions, proven in the harshest environments, have enabled advancements in transportation, industrial applications, medical technology, energy, data communications, and the home. With 78,000 employees, including more than 7,000 engineers, working alongside customers in nearly 150 countries, TE ensures that EVERY CONNECTION COUNTS - www.TE.com.

Generation

- Conventional Power
- Nuclear Power
- Wind/Solar
- Hydro-electric

Transmission & Distribution

- Substation
- Underground
- Overhead
- Street Lighting

Industry

- Mining
- Petrochemical
- Railway
- Shipbuilding

WHEREVER ELECTRICITY FLOWS, YOU'LL FIND TE CONNECTIVITY



te.com/energy

FOR MORE INFORMATION:

TE Technical Support Centers

AMERICAS

USA/Canada: +1 (800) 327-6996
 Mexico: +52 0-55-1106-0800
 Brazil: +55 11-2103-6023
 South America: +57 1-319-8962

ASIA-PACIFIC

Australia: +61 29-554-2695
 New Zealand: +64 9-634-4580
 China: +86 (0) 400-820-6015

EUROPE-MIDDLE EAST-AFRICA

France: +33 (0) 38-058-3200
 Germany/Switzerland: +49 (0) 89-608-9903
 UK: +44 08708-707-500
 Spain/Portugal: +34 912-681-885
 Italy: +39 335-834-3453
 Benelux: +32 16-508-695
 Russia: +7 495-790 790 2-200
 Poland/Baltics: +48 224-576-753
 Czech Republic: +42 (0) 272-011-105
 Sweden/Norway: +46 850 725 000
 Middle East: +971 4-211-7020

te.com/energy

© 2018 TE Connectivity Ltd. family of companies. All Rights Reserved. EPP-3016-E837-9/18

TE, TE Connectivity, and TE connectivity (logo) are trademarks of the TE Connectivity Ltd. family of companies. Other logos, product and Company names mentioned herein may be trademarks of their respective owners. While TE has made every reasonable effort to ensure the accuracy of the information in this brochure, TE does not guarantee that it is error-free, nor does TE make any other representation, warranty or guarantee that the information is accurate, correct, reliable or current. TE reserves the right to make any adjustments to the information contained herein at any time without notice. TE expressly disclaims all implied warranties regarding the information contained herein, including, but not limited to, any implied warranties of merchantability or fitness for a particular purpose. The dimensions in this brochure are for reference purposes only and are subject to change without notice. Specifications are subject to change without notice. Consult TE for the latest dimensions and design specifications.