



# RAYCHEM RECLOSURE CONNECTION COVERS (BCIC)

## WILDLIFE AND ASSET PROTECTION PRODUCTS

### KEY FEATURES

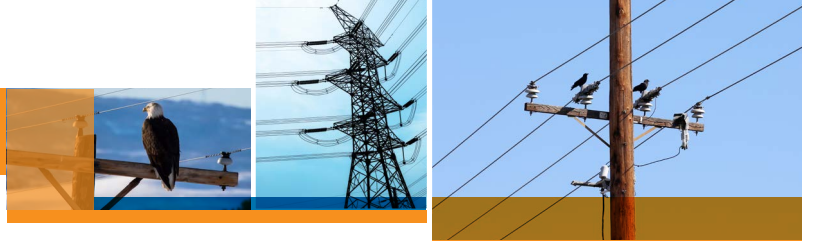
- UV and weather resistant material
- Versatile design to fit a wide range of catenary arms types
- Easily removed and reused for inspection
- REACH and RoHS Compliant
- Rugged, non-tracking, UV-resistant polymer and flame-resistant

TE Connectivity's (TE) Raychem insulating covers are designed to prevent animal electrocution and related outages on reclosers operating from 15 kV to 36 kV. There are numerous cover designs available to fit a wide variety of reclosers. TE also offers conductor and jumper lead insulation in the form of heat shrink tubing, conductor and jumper lead insulation as well as BCAC covers to protect lightning arresters on recloser units.

The one piece hinged design is easily and quickly installed around the top skirts and secured using the supplied BCIC Latches to ensure years of reliable service. The cover can be re-entered for maintenance needs and then reused, thus lowering overall lifetime costs.

Customers can count on consistent, high quality products, driven by TE's proven innovation and backed by our extraordinary customer support.

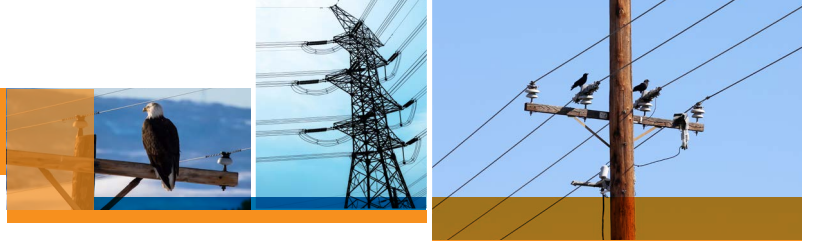
## RAYCHEM RECLOSURE CONNECTION COVERS (BCIC)



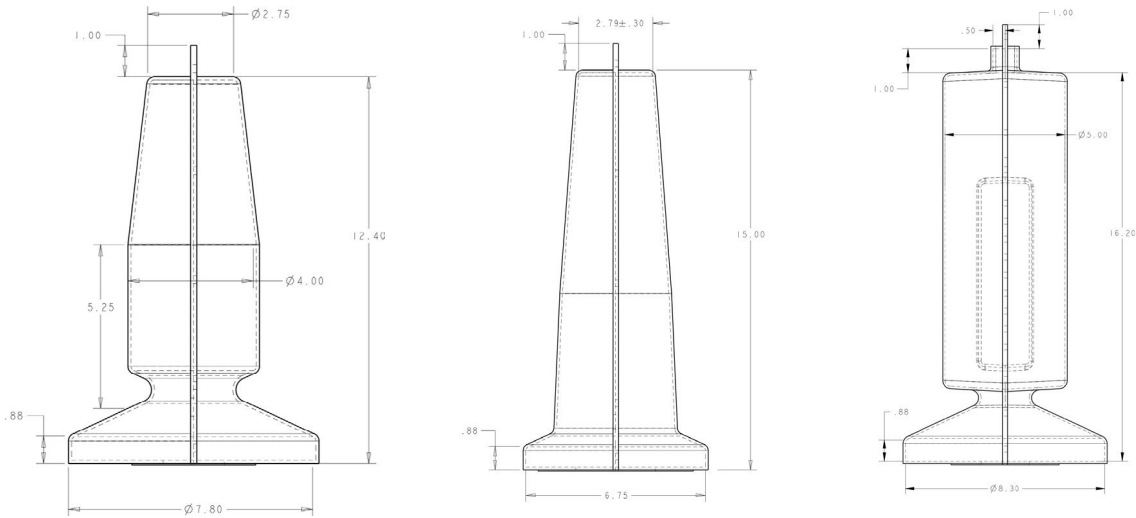
Wildlife and Asset Protection Material Performance Attributes:	TE Raychem Standard	TE Raychem VO+
<b>Tracking and Erosion Resistance (TERT), per ASTM D2303 or IEC 60587 STEP test method, (with abrasion)</b>		
This test predicts behavior under contamination and leakage current stress. The sample is abraded to represent testing on an aged sample.	>300min	>180min
<b>UV Performance, per ASTM G154</b>		
This test assesses the damage from UV exposure in intense environments, and provides a proxy for 35+ life expectancy.	5,000hr	5,000hr*
<b>Thermal Aging Performance</b>		
<b>Thermal Index IEC 60216 / IEEE 98</b> This accelerated aging test predicts long-term product performance and is a key predictor of life-cycle performance of the material.	105C (5,000hr)	105C (5,000hr)*
<b>Thermal Aging ASTM D2671</b> This test predicts life expectancy, and ties the material's tested values to real-life data from 35+ years of actual service life in the field	150C, (168hr)	150C, (168hr)
<b>Flammability Performance</b>		
<b>Flame Retardancy</b> This tests assesses a materials ability to self-extinguish under strict repeatable laboratory conditions, UL 94, IEC 60696-11-10	HB40	VO
<b>Flame Retardancy</b> Glow wire IEC 60695-2-11 (Simulates the ignition source associated with overheating busbar or connections) ASTM D2303 or IEC 60587 STEP test method, (with abrasion)	650C 300 minutes	650C 180 minutes
Halogen free	Yes	No
<b>Electrical Product Performance Attributes:</b>		
<b>Wet Withstand IEEE-4-1995 and IEEE 1656-2010 (Guide), Fixed Electrode</b>		
This test demonstrates a material's ability to protect against animal contact up to 35 kV	Yes	Yes
<b>Wet Power Frequency Flashover &amp; Lightning Impulse Withstand IEEE-4-1995 and IEEE 1656-2010 (Guide)</b>		
This test demonstrates whether a cover affects the electrical perform of the insulator that it is covering	Yes	Yes
<b>IEEE Compliance</b>		
IEEE-1656 (Guide for testing wildlife protection devices on overhead equipment up to 38 kV) IEEE-1264-2022 (Guide for Animal Mitigation for Electric Power Supply Substations)	Yes	Yes

\*Our final 5,000hr test data for new VO+ materials will be published in June 2023, at the time of writing 1200hr testing was complete  
NOTE: TE Raychem VO+ has been rated for VO (UL94) applications

## RAYCHEM RECLOSURE CONNECTION COVERS (BCIC)



TE's wildlife and asset protection products and systems of tubes, tapes, sheets, pre-formed covers and barriers provide a proven, cost-effective and easy-to-install solution to bird, animal and weather related outages.



### PRODUCT SELECTION INFORMATION

TE Raychem Standard	TE Raychem VO+	Height mm (inches)	Fits Recloser Type	Maximum Skirt mm (inches)	Colour	Qty
BCIC-Recloser Cover (B6)	BCIC+Recloser Cover (B6)	315 (12.4)	Cooper PowerSystems	198 (7.8)	Red	6
BCIC-G-Recloser Cover (B6)	BCIC+G-Recloser Cover (B6)	315 (12.4)	Cooper Power Systems	198 (7.8)	Grey	6
BCIC-Recloser-100 (B6)	BCIC+Recloser-100 (B6)	391 (15.4)	ABB	171 (6.75)	Red	6
BCIC-G-Recloser-100 (B30)	BCIC+G-Recloser-100 (B30)	391 (15.4)	ABB	171 (6.75)	Grey	30
BCIC-Recloser-200S (B6)	BCIC+Recloser-200S (B6)	368 (14.5)	Siemens	216 (8.5)	Red	6
BCIC-G-Recloser-200S (B6)	BCIC+G-Recloser-200S (B6)	368 (14.5)	Siemens	216 (8.5)	Grey	6
BCAC-IC2-5D/14/1.5 (B6)	BCAC+IC2-5D/14/1.5 (B6)	355 (14)	G&W Viper	127 (5)	Red	6
BCAC-G-IC2-5D/14/1.5 (B6)	BCAC+G-IC2-5D/14/1.5 (B6)	355 (14)	G&W Viper	127 (5)	Red	6

NOTE: TE Raychem VO+ has been rated for VO (UL94) applications

### TECHNICAL REPORT

Description	Document Reference
Material Test Report	PPR-3326
Material Product Datasheet	EPP-3227

Learn more: [TE.com/energy](https://www.te.com/energy)

© 2023 TE Connectivity. All Rights Reserved. EPP-2663-DDS-2/23

TE, TE Connectivity, TE connectivity (logo), EVERY CONNECTION COUNTS, Raychem are trademarks owned or licensed by TE Connectivity. Other logos, product and company names mentioned herein may be trademarks of their respective owners. While TE has made every reasonable effort to ensure the accuracy of the information in this brochure, TE does not guarantee that it is error-free, nor does TE make any other representation, warranty or guarantee that the information is accurate, correct, reliable or current. TE reserves the right to make any adjustments to the information contained herein at any time without notice. TE Connectivity's obligations shall only be as set forth in TE Connectivity's Standard Terms and Conditions of Sale for this product and in no case will TE Connectivity be liable for any incidental, indirect or consequential damages arising out of the sale, resale, use or misuse of the product. TE expressly disclaims all implied warranties regarding the information contained herein, including, but not limited to, any implied warranties of merchantability or fitness for a particular purpose. The dimensions, specifications, and/or information contained herein are for reference purposes only and are subject to change without notice. Consult TE for the latest dimensions, specifications, and/or information. Users of TE Connectivity products should make their own evaluation to determine the suitability of each such product for the specific application.

Connect with us:

[TE.com/energy-contact](https://www.te.com/energy-contact)