

UTILUX REVERSE BI-METAL LUGS

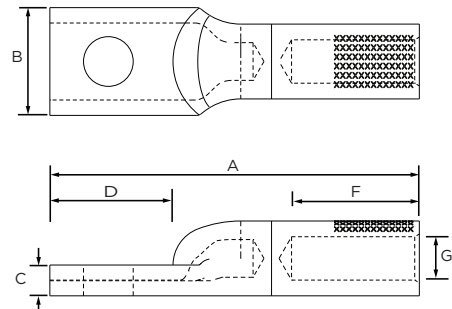


Copper to aluminium terminations can be made with the Utilux range of Bi-Metal products. Under normal conditions, when copper comes into contact with aluminium electrolytic corrosion may result, enhanced by the presence of oxygen. Utilux Bi-metal connectors have the copper friction welded to the aluminium. The friction welding process eliminates the presence of oxygen and therefore eliminates electrolytic corrosion. The welding process also maximises the strength of the joint.

REVERSE LUGS PRODUCT SELECTION INFORMATION

Catalogue Number	Conductor Area (mm ²)	Stud Size	Dimensions (mm)					Crimping Die
			A	B	C	D	F	
BGRV25MB	25	MB	70	23	4.5	24	24	38-92CU
BGRV35MB	35	MB	70	23	4.5	24	24	38-92CU
BGRV35M10	35	M10	70	23	4.5	24	24	38-92CU
BGRV50MB	50	MB	78	23	6.0	28	24	38-115CU
BGRV50M8	50	M8	78	23	6.0	28	24	38-115CU
BGRV70MB	70	MB	83	22	6.0	28	24	38-115CU
BGRV70M10	70	M10	83	22	6.0	28	24	38-115CU
BGRV95MB	95	MB	103	31	9.8	34	38	38-165CU
BGRV95M12	95	M12	103	31	9.8	34	38	38-165CU
BGRV120MB	120	MB	120	35	10.0	35	40	38-200CU
BGRV150M10	150	M10	120	35	10.0	35	40	38-200CU

Stud size "MB" means blank palm



te.com/energy

©2016 TE Connectivity Ltd. family of companies. All Rights Reserved. EPP-2487-DDS30-AU-3/16

Utilux, TE Connectivity and TE Connectivity (logo) are trademarks. Other logos, product and/or company names might be trademarks of their respective owners. While TE has made every reasonable effort to ensure the accuracy of the information in this brochure, TE does not guarantee that it is error-free, nor does TE make any other representation, warranty or guarantee that the information is accurate, correct, reliable or current. TE reserves the right to make any adjustments to the information contained herein at any time without notice. TE expressly disclaims all implied warranties regarding the information contained herein, including, but not limited to, any implied warranties of merchantability or fitness for a particular purpose. The dimensions in this catalog are for reference purposes only and are subject to change without notice. Specifications are subject to change without notice. Consult TE for the latest dimensions and design specifications.

FOR MORE INFORMATION: TE Customer Support Centers

NSW/QLD/NT/ACT: +61 (2) 9554 2695
 VIC/TAS/SA: +61 (3) 9271 5243
 WA: +61 (8) 9358 7806
 New Zealand: +64 (9) 634 4580