

## UTILUX LONG BLANK PALM COPPER LUGS CG LP MB TYPE

### KEY FEATURES

- Solder sealed
- Long barrel length for effective heat shrink sealing
- No Inspection window
- Impervious to air at 140kpa min
- Uses same crimp tools as standard copper lugs
- Electro-tinned

Utilux is a brand that has built an enviable reputation for high quality, reliable electrical connectors. For over 90 years, this dynamic Australian brand has been a leader in the field of interconnection systems.

Our aim is to provide the best possible products and services to keep our customers at the cutting edge of industry standards - internationally.

You can be sure that Utilux branded products are fabricated from the finest materials and produced to exacting tolerances. They represent the latest technology and the best design for the tasks they are required to perform.

Utilux is a leading brand of electrical connectors sold to original equipment manufacturers and electrical distribution companies throughout Australia, New Zealand and Asia. A comprehensive range, the most up to date production technology and the highest quality control standards ensure that there are Utilux connectors, of optimum reliability and durability, for all major power distribution applications.

As part of the worlds largest electrical connector company, TE Connectivity, the development of products is an ongoing commitment. It is done on a global basis, utilising the talents of many people throughout the organisation to ensure a global product for a local market.

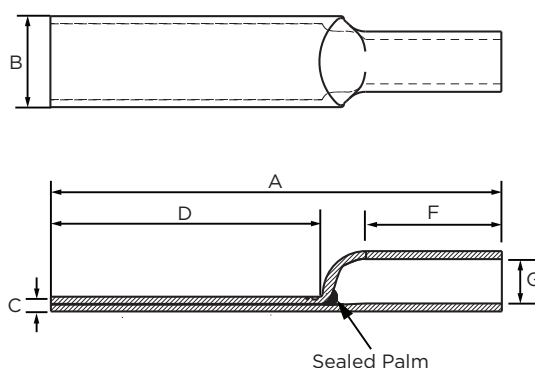
**Customers can count on consistent, high quality products, driven by TE's proven innovation and backed by our extraordinary customer support.**

## UTILUX LONG BLANK PALM COPPER CRIMP LUGS



Utilux has engineered the correct combination of material thickness and crimp die selection to ensure that the optimum compression ratios are achieved when crimping. Annealing also ensures that connectors can be crimped without damage and electro tinning minimises corrosion. These features combined with correct termination procedures will ensure a connection that will perform for many years.

PRODUCT SELECTION INFORMATION								
Catalogue Number	Conductor Area (mm <sup>2</sup> )	Dimensions (mm)						Crimping Die
		A	B	C	D	F	G	
CG25LPMB	25	117	17	1.9	70	40	7.1	38-77CU
CG35LPMB	35	145	18	2.7	90	45	8.4	38-92CU
CG50LPMB	50	159	21	2.8	100	50	9.5	38-104CU
CG70LPMB	70	161	21	3.2	100	50	11	38-115CU
CG95LPMB	95	161	25	4	100	50	13.4	38-142CU
CG120LPMB	120	165	30	4.8	100	50	15.5	38-165CU
CG150LPMB	150	166	34	5.4	100	50	16.3	38-183CU
CG185LPMB	185	173	37	5.2	100	55	18.4	38-200CU
CG240LPMB	240	221	42	7.1	110	90	21.2	38-231CU
CG300LPMB	300	222	46	7.9	110	90	23.8	38-260CU
CG400LPMB	400	227	50	7.9	110	90	26.9	40-281CU
CG500LPMB	500	233	55	8.2	110	90	30	40-310CU
CG630LPMB	630	225	64	11.5	100	90	33.5	40-370CU



[te.com/energy](http://te.com/energy)

©2016 TE Connectivity Ltd. family of companies. All Rights Reserved. EPP-2487-DDS7-AU-3/16

Utilux, TE Connectivity and TE Connectivity (logo) are trademarks. Other logos, product and/or company names might be trademarks of their respective owners. While TE has made every reasonable effort to ensure the accuracy of the information in this brochure, TE does not guarantee that it is error-free, nor does TE make any other representation, warranty or guarantee that the information is accurate, correct, reliable or current. TE reserves the right to make any adjustments to the information contained herein at any time without notice. TE expressly disclaims all implied warranties regarding the information contained herein, including, but not limited to, any implied warranties of merchantability or fitness for a particular purpose. The dimensions in this catalog are for reference purposes only and are subject to change without notice. Specifications are subject to change without notice. Consult TE for the latest dimensions and design specifications.

### FOR MORE INFORMATION: TE Customer Support Centers

NSW/QLD/NT/ACT: +61 (2) 9554 2695  
 VIC/TAS/SA: +61 (3) 9271 5243  
 WA: +61 (8) 9358 7806  
 New Zealand: +64 (9) 634 4580