



CRIMP CONNECTORS

“C” TYPE

KEY FEATURES

- * Simple and reliable installation
- * Only two crimps necessary to ensure a good tightening of the conductors
- * Withstand any climatic conditions
- * Compact design with thick wall

TE Connectivity's (TE) “C” connectors are used to join or to branch copper conductors from 1.5mm² to 240mm² (see table at the back for selection of the right connector).

These connectors are made out of pure electrolytic copper (>99%) and are tin coated. As a result, they withstand corrosion either for underground or outside applications.

The connector compact design with thick wall allows high capacity to flow fault-currents. In addition it requires small space.

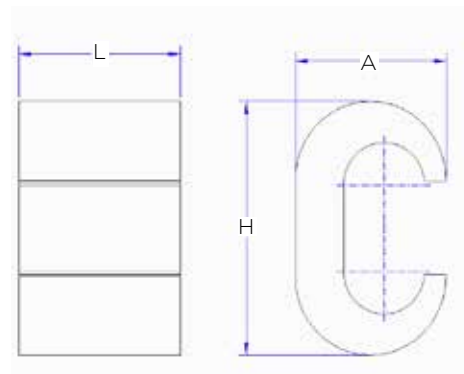
They can be used for joint or cross linked connections which allow to do the grounding grids.

These connectors comply with IEEE 837 requirements and are technically approved by ERDF.

Customers can count on consistent, high quality products, driven by TE's proven innovation and backed by our extraordinary customer support.



PRODUCT SELECTION INFORMATION							
Designation	Part Number	Conductor sizes (mm ²)		Dimensions (mm)			Standard packaging
		Min	Max	A	H	L	
C 6 E	709636-1	3	12	6.4	9.8	9	100
C 10 E	709637-1	13	20	8.4	12.6	12	100
C 16 E	709638-1	19	32	12	19.4	15	100
C 25 E	709639-1	33	56	15.4	24.6	20	100
C 35 E	709640-1	50	70	15.6	26.4	20	100
C 50 E	709641-1	66	100	17.4	26.4	20	50
C 75 E	709642-1	105	170	26	41	30	25
C 95 E	709643-2	150	190	26	41	30	25
C 120 E	709644-1	156	240	28	45	30	25
C 150 E	709645-1	225	300	28	45	30	25
C 185 E - C 95 E	709646-1	260	300	28	45	30	10
C 185 E	710147-1	210	370	33	54	35	10
C 240 E	714421-1	387	480	33.7	54	40	1



PRODUCT SELECTION GUIDE															
Main mm ²	1.5	2.5	4	6	10	16	25	35	50	70	95	120	150	180	240
Tapi															
1.5	C6E	C6E	C6E	C6E*	C10E*	C16E*		C25E*	C35E*	C50E*					
2.5		C6E	C6E	C6E	C10E	C16E		C25E	C35E	C50E					
4			C6E	C6E	C10E	C16E		C25E	C35E	C50E					
6				C6E	C10E	C16E		C25E	C35E	C50E	C75E*		C120E		
10					C10E	C16E	C25E	C25E	C35E	C50E	C75E		C120E		
16						C16E	C25E	C25E	C35E	C50E	C75E		C120E		C185E
25							C25E	C35E	C50E	C50E	C75E		C120E		C185E
35								C35E	C50E	C75E	C75E	C120E	C120E		C185E
50									C50E	C75E	C75E	C120E	C120E		C185E
70										C75E	C95E	C120E	C150E	C185E C95E	C185E
95											C95E	C120E	C150E	C185E	C185E
120												C150E	C150E	C185E	C185E
150													C150E	C185E	C240E
185														C185E	C240E
240															C240E

* With double small conductor

te.com/energy

© 2014 TE Connectivity Ltd. family of companies. All Rights Reserved. EPP-2437-INT-5/15

TE Connectivity and TE connectivity (logo) are trademarks. Other logos, product and/or company names might be trademarks of their respective owners. While TE has made every reasonable effort to ensure the accuracy of the information in this brochure, TE does not guarantee that it is error-free, nor does TE make any other representation, warranty or guarantee that the information is accurate, correct, reliable or current. TE reserves the right to make any adjustments to the information contained herein at any time without notice. TE expressly disclaims all implied warranties regarding the information contained herein, including, but not limited to, any implied warranties of merchantability or fitness for a particular purpose. The dimensions in this catalog are for reference purposes only and are subject to change without notice. Specifications are subject to change without notice. Consult TE for the latest dimensions and design specifications.

FOR MORE INFORMATION: TE Technical Support Centers

- USA: + 1 800 327 6996
- France: + 33 380 583 200
- UK: + 44 0870 870 7500
- Germany: + 49 896 089 903
- Spain: + 34 916 630 400
- Benelux: + 32 16 351 731
- Canada: + 1 (905) 475-6222
- Mexico: + 52 (0) 55-1106-0800
- Latin/S. America: + 54 (0) 11-4733-2200
- China: + 86 (0) 400-820-6015