

UNDERGROUND CABLE JOINT SYSTEM VMP-600 FOR POLYMERIC INSULATED LV CABLES UP TO 185 mm²

KEY FEATURES

- Impact resistant
- Grey housing
- Polypropylene
- Snap-to close design with labyrinth sealing
- Range-taking foam sealings at cable entry
- With integrated strain relief clamps
- Available with environment-friendly and label-free resin GURFLEX

TE Connectivity's (TE) Underground Cable Joint System VMP-600 consists of an impact-resistant, grey polypropylene snap-to-close design housing and range taking foams for sealing. The robust housing is easy and quick to assemble, cutting to the cable diameter is not needed.

The filler material is delivered in a double chamber bag. Filler in cans are also available upon request.

A separator to keep the connectors in sufficient distance is available as accessory. Application range is covering cable cross sections from 35 mm² up to 185 mm².

Customers can count on consistent, high quality products, driven by TE's proven innovation and backed by our extraordinary customer support.

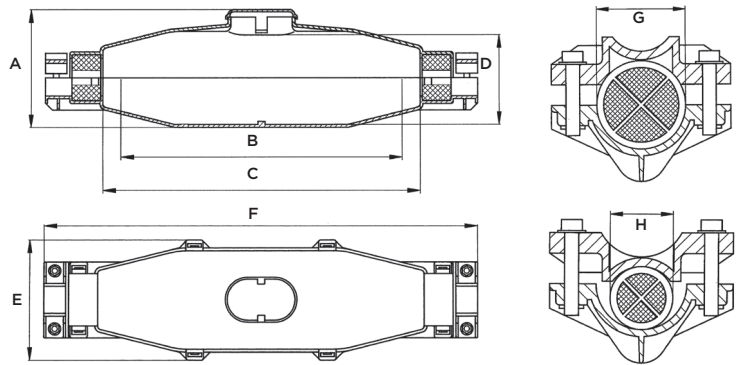
Underground Cable Joint System VMP-600



Joints are tested according to CENELEC EN 50393.

PRODUCT DIMENSIONS	
VMY-205	
A	163
B	400
C	440
D	126
E	166
F	600
G	52
H	30

Dimensions in mm



PRODUCT SELECTION INFORMATION

Description	Connectors	Filler Type	Volume	Cable Cross Section Mains [mm ²]	Cable Cross Section Branch [mm ²]	Part Number
VMP-600-EM	without	without	4,9 l	4 x 35	4 x 185	094374-000
VMP-600-3D490	without	RAPID 3010	4,9 l	4 x 35	4 x 185	274884-000
VMP-600-43BD490	without	RAPID 4300B	4,9 l	4 x 35	4 x 185	563858-000
VMP-600-GD490	without	GUROFLEX	4,9 l	4 x 35	4 x 185	873040-000

ACCESSORIES

Description	Part Number
GURO-SET-SEPARATOR	858876-000

te.com/energy

©2014 TE Connectivity Ltd. family of companies. All Rights Reserved. EPP-2318-10/14

TE Connectivity and TE connectivity (logo) are trademarks. Other logos, product and/or company names might be trademarks of their respective owners. While TE has made every reasonable effort to ensure the accuracy of the information in this brochure, TE does not guarantee that it is error-free, nor does TE make any other representation, warranty or guarantee that the information is accurate, correct, reliable or current. TE reserves the right to make any adjustments to the information contained herein at any time without notice. TE expressly disclaims all implied warranties regarding the information contained herein, including, but not limited to, any implied warranties of merchantability or fitness for a particular purpose. The dimensions in this catalog are for reference purposes only and are subject to change without notice. Specifications are subject to change without notice. Consult TE for the latest dimensions and design specifications.

FOR MORE INFORMATION: TE Technical Support Centers

USA:	+ 1 800 327 6996
France:	+ 33 380 583 200
UK:	+ 44 0870 870 7500
Germany:	+ 49 896 089 903
Spain:	+ 34 916 630 400
Benelux:	+ 32 16 351 731
Canada:	+ 1 (905) 475-6222
Mexico:	+ 52 (0) 55-1106-0800
Latin/S. America:	+ 54 (0) 11-4733-2200
China:	+ 86 (0) 400-820-6015